

CANTER 3S13

LEFT-HAND DRIVE

MODEL / VEHICLE TYPE 3S13

| | | | |
|-----------------|--------------------------|--------------|--------------|
| Cab type / crew | Standard, single cab / 3 | | |
| Model variant | 46900211 | 46900311 | 46900511 |
| FUSO model code | FEA01BL4SEUW | FEA01CL4SEUW | FEA01EL4SEUW |

DIMENSIONS (MM)

| | | | |
|----------------------------------|--------------|-------------|------|
| Wheelbase | 2500 | 2800 | 3400 |
| Overall length | 4640 | 4990 | 5790 |
| Cab length | | 1510 | |
| Width overall | | 1798 | |
| Cab width | | 1695 | |
| Height overall | | 2105 | |
| Track width | Front / rear | 1405 / 1255 | |
| Frame height (at end of frame) | | 725 | |
| Ground clearance | | 165 | |
| Cab to rear axle | 1975 | 2275 | 2875 |
| Cab to end of frame | 3120 | 3470 | 4270 |
| Maximum body length** | 3500 | 3995 | 4985 |
| Frame width | | 700 | |
| Front overhang | | 995 | |
| Rear overhang | 1145 | 1195 | 1395 |
| Front axle to front of body | | 625 | |
| Recommended distance cab to body | | 100 | |

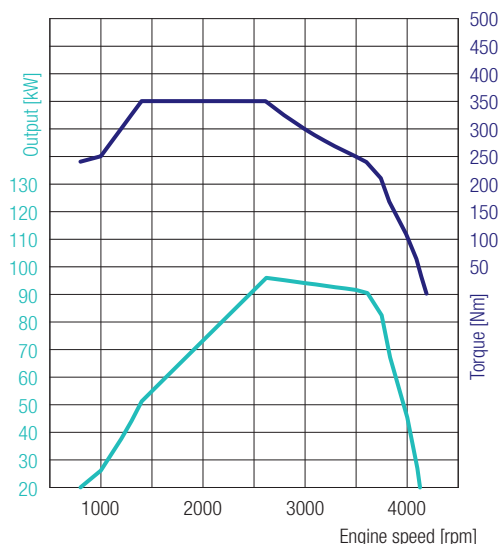
WEIGHTS (KG)

| | | | | |
|---|----------------|-------------------|------------|------------|
| Empty weight* | | 1940 | 1950 | 1980 |
| | Front* / rear* | 1420 / 520 | 1440 / 510 | 1445 / 535 |
| Minimum vehicle weight | | 2355 | | |
| Gross vehicle weight / gross combination weight | | 3500 / 7000 | | |
| Axle loads* | Front / rear | 1950 / 2500 | | |
| | Towed weight | Braked / unbraked | 3500 / 750 | |
| Chassis load bearing capacity* | | 1560 | 1550 | 1520 |

CALCULATED OUTPUT

| | | | | |
|----------------------------|--------------|------|------|------|
| Maximum speed | km/h | 140 | | |
| Minimum turning circle (m) | Kerb to kerb | 9.0 | 10.0 | 11.8 |
| | Wall to wall | 10.2 | 11.2 | 13.0 |

* The weight refers to the base vehicle (European series, including coolant, oil, 90% fuel, tyre sealant, tools and driver with 75 kg) without optional equipment. If any optional equipment is added, the weight changes accordingly. ** Calculated maximum value which should be checked depending on the body and application. Subject to change without notice. All data is approximate. The illustrations may contain accessories and items of optional equipment which are not part of the standard specification. The data sheet may contain product types and support services not available in certain countries.


4P10 – 96 kW (130 PS)

350 Nm@1400 rpm

96 kW@2620 rpm

CANTER 3S13

LHD

ENGINE (EURO VI)

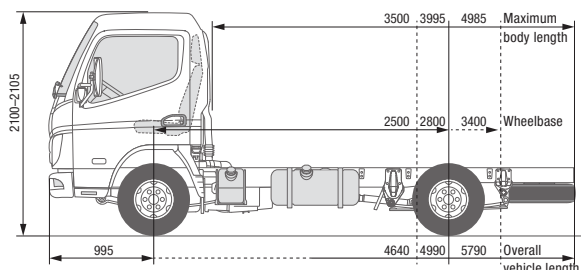
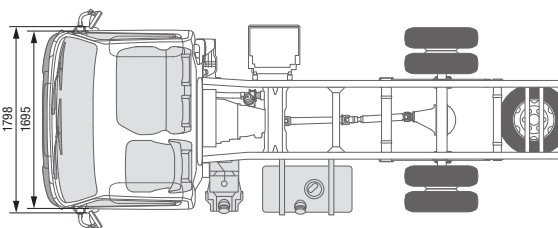
| | | | |
|----------------------------|--|-------------------|------------------------------------|
| Type | Water-cooled four-stroke diesel engine with turbocharger, intercooler and direct injection | | |
| No. of cylinders | 4/in-line | | |
| Capacity | 2998 cm ³ | | |
| Peak output | 96 kW (130 hp) / 2620 rpm | | |
| Rated torque | 350 Nm / 1400 rpm | | |
| Diesel particulate filter | Service life approx. 300,000 km | | |
| Alternator | Alternating current 12 V, 140 A | | |
| Exhaust gas aftertreatment | DPF + SCR | | |
| PTO (optional) | Type | 31 kW with flange | 31 kW for directly connected pumps |
| | Torque at peak output [Nm]: | 196 Nm | |
| | Gear ratios | 1:0.655 | 1:0.651 |
| | Engine speed at peak output | 1500 rpm | |

POWERTRAIN

| | | |
|----------------------|------------|---|
| Transmission | Model | Manual gearbox, 5 forward gears, 1 reverse gear |
| | Gear ratio | 5.494 - 3.193 - 1.689 - 1.000 - 0.723 - reverse 5.494 |
| Rear axle gear ratio | Ratio | 4.111 |

CHASSIS

| | | |
|-------------------------------|----------------------------------|--|
| Front axle / rear axle | Model | F100T / R015T |
| | Load-bearing capacity front/rear | 1950 kg / 2500 kg |
| Tyres | | 195/75R16C 107/105 R |
| | | Twin tyres at rear |
| Wheel | | 16 x 5 JK - 110 |
| Steering | | LHD |
| | | Rack-and-pinion steering with power assist, tilting telescopic steering column with steering-wheel lock |
| Brake | Service brake | Hydraulic with vacuum power assist, dual-circuit with load-dependent brake proportioning valve at rear wheels |
| | Front / rear | Disc brake (217 x 24) |
| | Parking brake | Mechanical expanding brake on drive shaft at rear of transmission |
| | Auxiliary brake | Exhaust brake (50 kW) |
| Suspension | Front / rear | Independent wheel suspension (coil spring) with shock absorber / semi-elliptic leaf spring with shock absorber |
| Frame | Type | Ladder-type frame with reinforcements and crossmembers |
| Fuel tank capacity | | 70 litres |
| Electrical system – batteries | | 12 V (100 AH - 760 A(EN)) |



CANTER 3S13 DUONIC® 2.0 LHD

MODEL / VEHICLE TYPE 3S13

| | | | |
|-----------------|--------------------------|--------------|--------------|
| Cab type / crew | Standard, single cab / 3 | | |
| Model variant | 46901211 | 46901311 | 46901511 |
| FUSO model code | FEA01BL3SEUW | FEA01CL3SEUW | FEA01EL3SEUW |

DIMENSIONS (MM)

| | | | |
|----------------------------------|--------------|-------------|------|
| Wheelbase | 2500 | 2800 | 3400 |
| Overall length | 4640 | 4990 | 5790 |
| Cab length | | 1510 | |
| Width overall | | 1798 | |
| Cab width | | 1695 | |
| Height overall | | 2100 | 2105 |
| Track width | Front / rear | 1405 / 1255 | |
| Frame height (at end of frame) | | 715 | 710 |
| Ground clearance | | 165 | |
| Cab to rear axle | | 1975 | 2875 |
| Cab to end of frame | | 3120 | 4270 |
| Maximum body length** | | 3500 | 4985 |
| Frame width | | 700 | |
| Front overhang | | 995 | |
| Rear overhang | | 1145 | 1395 |
| Front axle to front of body | | 625 | |
| Recommended distance cab to body | | 100 | |

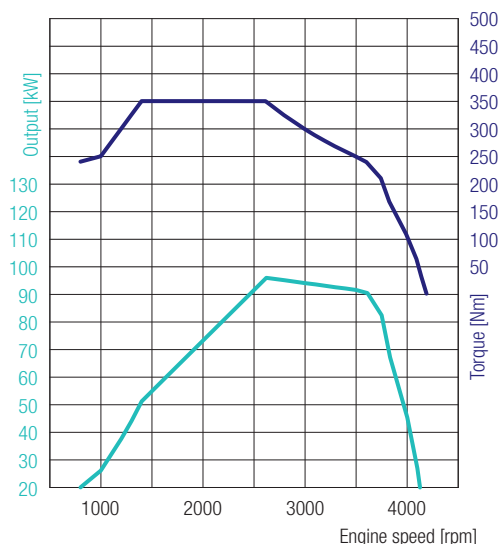
WEIGHTS (KG)

| | | | | |
|---|-------------------|-------------|------------|------------|
| Empty weight* | | 1960 | 1970 | 1990 |
| | Front* / rear* | 1440 / 520 | 1455 / 515 | 1455 / 535 |
| Minimum vehicle weight | | 2180 | 2205 | |
| Gross vehicle weight / gross combination weight | | 3500 / 7000 | | |
| Axle loads* | Front / rear | 1950 / 2500 | | |
| Towed weight | Braked / unbraked | 3500 / 750 | | |
| Chassis load bearing capacity* | | 1540 | 1530 | 1510 |

CALCULATED OUTPUT

| | | | | |
|----------------------------|--------------|------|------|------|
| Maximum speed | km/h | 140 | | |
| Minimum turning circle (m) | Kerb to kerb | 9.0 | 10.0 | 11.8 |
| | Wall to wall | 10.2 | 11.2 | 13.0 |

* The weight refers to the base vehicle (European series, including coolant, oil, 90% fuel, tyre sealant, tools and driver with 75 kg) without optional equipment. If any optional equipment is added, the weight changes accordingly. ** Calculated maximum value which should be checked depending on the body and application. Subject to change without notice. All data is approximate. The illustrations may contain accessories and items of optional equipment which are not part of the standard specification. The data sheet may contain product types and support services not available in certain countries.



CANTER 3S13 DUONIC® 2.0 LHD

4P10 – 96 kW (130 PS)
 350 Nm@1400 rpm
 96 kW@2620 rpm

ENGINE (EURO VI)

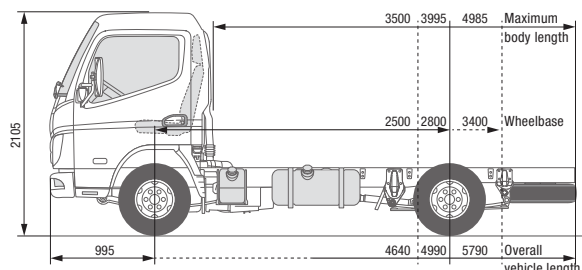
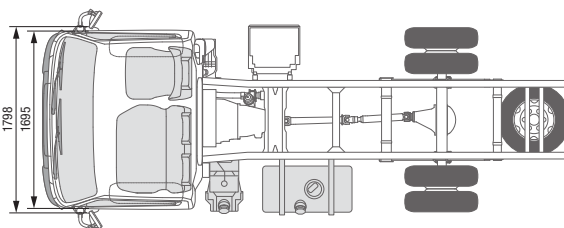
| | | | |
|----------------------------|--|-------------------|------------------------------------|
| Type | Water-cooled four-stroke diesel engine with turbocharger, intercooler and direct injection | | |
| No. of cylinders | 4/in-line | | |
| Capacity | 2998 cm ³ | | |
| Peak output | 96 kW (130 hp) / 2620 rpm | | |
| Rated torque | 350 Nm / 1400 rpm | | |
| Diesel particulate filter | Service life approx. 300,000 km | | |
| Alternator | Alternating current 12 V, 140 A | | |
| Exhaust gas aftertreatment | DPF + SCR | | |
| PTO (optional) | Type | 31 kW with flange | 31 kW for directly connected pumps |
| | Torque at peak output [Nm]: | 196 Nm | |
| | Gear ratios | 1:0.655 | 1:0.651 |
| | Engine speed at peak output | 1500 rpm | |

POWERTRAIN

| | | | |
|----------------------|------------|---|--|
| Transmission | Model | DUONIC® 2.0: Automated transmission with dual clutch, 6 forward speeds and 1 reverse gear | |
| | Gear ratio | 5.397 - 3.788 - 2.310 - 1.474 - 1.000 - 0.701 - reverse 5.397 | |
| Rear axle gear ratio | Ratio | 4.111 | |

CHASSIS

| | | | |
|-------------------------------|----------------------------------|--|--|
| Front axle / rear axle | Model | F100T / R015T | |
| | Load-bearing capacity front/rear | 1950 kg / 2500 kg | |
| Tyres | | 195/75R16C 107/105 R | |
| | | Twin tyres at rear | |
| Wheel | | 16 x 5 JK - 110 | |
| Steering | | LHD | |
| | | Rack-and-pinion steering with power assist, tilting telescopic steering column with steering-wheel lock | |
| Brake | Service brake | Hydraulic with vacuum power assist, dual-circuit with load-dependent brake proportioning valve at rear wheels | |
| | Front / rear | Disc brake (217 x 24) | |
| | Parking brake | Mechanical expanding brake on drive shaft at rear of transmission | |
| | Auxiliary brake | Exhaust brake (50 kW) | |
| Suspension | Front / rear | Independent wheel suspension (coil spring) with shock absorber / semi-elliptic leaf spring with shock absorber | |
| Frame | Type | Ladder-type frame with reinforcements and crossmembers | |
| Fuel tank capacity | | 70 litres | |
| Electrical system – batteries | | 12 V (100 AH - 760 A(EN)) | |



CANTER 3S13

RIGHT-HAND DRIVE

MODEL / VEHICLE TYPE 3S13

| | | | |
|-----------------|--------------------------|--------------|--------------|
| Cab type / crew | Standard, single cab / 3 | | |
| Model variant | 46900221 | 46900321 | 46900521 |
| FUSO model code | FEA01BR4SEUW | FEA01CR4SEUW | FEA01ER4SEUW |

DIMENSIONS (MM)

| | | | |
|----------------------------------|--------------|-------------|------|
| Wheelbase | 2500 | 2800 | 3400 |
| Overall length | 4640 | 4990 | 5790 |
| Cab length | | 1510 | |
| Width overall | | 1798 | |
| Cab width | | 1695 | |
| Height overall | | 2105 | |
| Track width | Front / rear | 1405 / 1255 | |
| Frame height (at end of frame) | | 715 | |
| Ground clearance | | 165 | |
| Cab to rear axle | 1975 | 2275 | 2875 |
| Cab to end of frame | 3120 | 3470 | 4270 |
| Maximum body length** | 3500 | 3995 | 4985 |
| Frame width | | 700 | |
| Front overhang | | 995 | |
| Rear overhang | 1145 | 1195 | 1395 |
| Front axle to front of body | | 625 | |
| Recommended distance cab to body | | 100 | |

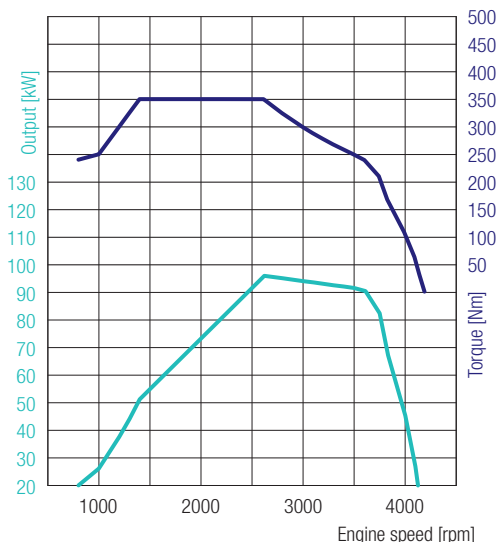
WEIGHTS (KG)

| | | | | |
|---|----------------|-------------------|------------|------------|
| Empty weight* | | 1940 | 1950 | 1980 |
| | Front* / rear* | 1420 / 520 | 1440 / 510 | 1445 / 535 |
| Minimum vehicle weight | | 2355 | | |
| Gross vehicle weight / gross combination weight | | 3500 / 7000 | | |
| Axle loads* | Front / rear | 1950 / 2500 | | |
| | Towed weight | Braked / unbraked | 3500 / 750 | |
| Chassis load bearing capacity* | | 1560 | 1550 | 1520 |

CALCULATED OUTPUT

| | | | | |
|----------------------------|--------------|------|------|------|
| Maximum speed | km/h | 140 | | |
| Minimum turning circle (m) | Kerb to kerb | 9.0 | 10.0 | 9.0 |
| | Wall to wall | 10.2 | 11.2 | 10.2 |

* The weight refers to the base vehicle (European series, including coolant, oil, 90% fuel, tyre sealant, tools and driver with 75 kg) without optional equipment. If any optional equipment is added, the weight changes accordingly. ** Calculated maximum value which should be checked depending on the body and application.
Subject to change without notice. All data is approximate. The illustrations may contain accessories and items of optional equipment which are not part of the standard specification. The data sheet may contain product types and support services not available in certain countries.



4P10 – 96 kW (130 PS)
 350 Nm@1400 rpm
 96 kW@2620 rpm

CANTER 3S13

RHD

ENGINE (EURO VI)

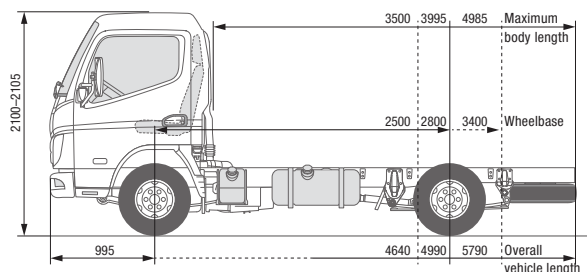
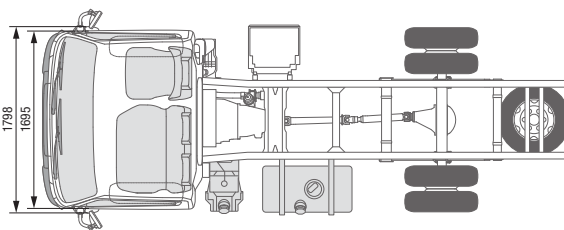
| | | | |
|----------------------------|--|-------------------|------------------------------------|
| Type | Water-cooled four-stroke diesel engine with turbocharger, intercooler and direct injection | | |
| No. of cylinders | 4/in-line | | |
| Capacity | 2998 cm ³ | | |
| Peak output | 96 kW (130 hp) / 2620 rpm | | |
| Rated torque | 350 Nm / 1400 rpm | | |
| Diesel particulate filter | Service life approx. 300,000 km | | |
| Alternator | Alternating current 12 V, 140 A | | |
| Exhaust gas aftertreatment | DPF + SCR | | |
| PTO (optional) | Type | 31 kW with flange | 31 kW for directly connected pumps |
| | Torque at peak output [Nm]: | 196 Nm | |
| | Gear ratios | 1:0.655 | 1:0.651 |
| | Engine speed at peak output | 1500 rpm | |

POWERTRAIN

| | | |
|----------------------|------------|---|
| Transmission | Model | Manual gearbox, 5 forward gears, 1 reverse gear |
| | Gear ratio | 5.494 - 3.193 - 1.689 - 1.000 - 0.723 - reverse 5.494 |
| Rear axle gear ratio | Ratio | 4.111 |

CHASSIS

| | | |
|-------------------------------|----------------------------------|--|
| Front axle / rear axle | Model | F100T / R015T |
| | Load-bearing capacity front/rear | 1950 kg / 2500 kg |
| Tyres | | 195/75R16C 107/105 R |
| | | Twin tyres at rear |
| Wheel | | 16 x 5 JK - 110 |
| Steering | | RHD |
| | | Rack-and-pinion steering with power assist, tilting telescopic steering column with steering-wheel lock |
| Brake | Service brake | Hydraulic with vacuum power assist, dual-circuit with load-dependent brake proportioning valve at rear wheels |
| | Front / rear | Disc brake (217 x 24) |
| | Parking brake | Mechanical expanding brake on drive shaft at rear of transmission |
| | Auxiliary brake | Exhaust brake (50 kW) |
| Suspension | Front / rear | Independent wheel suspension (coil spring) with shock absorber / semi-elliptic leaf spring with shock absorber |
| Frame | Type | Ladder-type frame with reinforcements and crossmembers |
| Fuel tank capacity | | 70 litres |
| Electrical system – batteries | | 12 V (100 AH - 760 A(EN)) |



CANTER 3S13 DUONIC® 2.0 RHD

MODEL / VEHICLE TYPE 3S13

| | | | |
|-----------------|--------------------------|--------------|--------------|
| Cab type / crew | Standard, single cab / 3 | | |
| Model variant | 46901221 | 46901321 | 46901521 |
| FUSO model code | FEA01BR3SEUW | FEA01CR3SEUW | FEA01ER3SEUW |

DIMENSIONS (MM)

| | | | |
|----------------------------------|--------------|-------------|------|
| Wheelbase | 2500 | 2800 | 3400 |
| Overall length | 4640 | 4990 | 5790 |
| Cab length | | 1510 | |
| Width overall | | 1798 | |
| Cab width | | 1695 | |
| Height overall | | 2100 | 2105 |
| Track width | Front / rear | 1405 / 1255 | |
| Frame height (at end of frame) | | 720 | |
| Ground clearance | | 165 | |
| Cab to rear axle | | 1975 | 2875 |
| Cab to end of frame | | 3120 | 4270 |
| Maximum body length** | | 3500 | 4985 |
| Frame width | | 700 | |
| Front overhang | | 995 | |
| Rear overhang | | 1145 | 1395 |
| Front axle to front of body | | 625 | |
| Recommended distance cab to body | | 100 | |

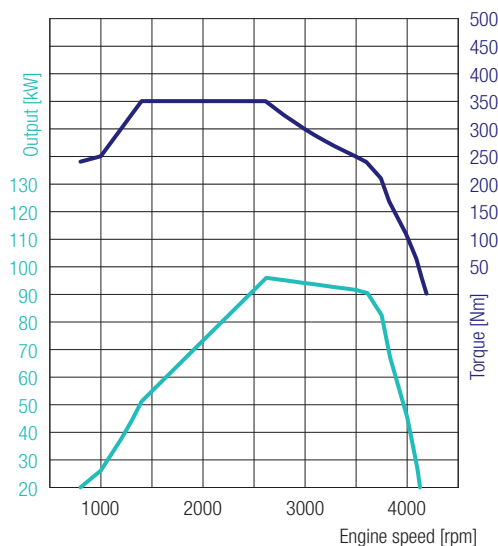
WEIGHTS (KG)

| | | | | |
|---|-------------------|-------------|------------|------------|
| Empty weight* | | 1960 | 1970 | 1990 |
| | Front* / rear* | 1440 / 520 | 1455 / 515 | 1455 / 535 |
| Minimum vehicle weight | | 2180 | 2205 | |
| Gross vehicle weight / gross combination weight | | 3500 / 7000 | | |
| Axle loads* | Front / rear | 1950 / 2500 | | |
| Towed weight | Braked / unbraked | 3500 / 750 | | |
| Chassis load bearing capacity* | | 1540 | 1530 | 1510 |

CALCULATED OUTPUT

| | | | | |
|----------------------------|--------------|------|------|------|
| Maximum speed | km/h | 140 | | |
| Minimum turning circle (m) | Kerb to kerb | 9.0 | 10.0 | 11.8 |
| | Wall to wall | 10.2 | 11.2 | 13.0 |

* The weight refers to the base vehicle (European series, including coolant, oil, 90% fuel, tyre sealant, tools and driver with 75 kg) without optional equipment. If any optional equipment is added, the weight changes accordingly. ** Calculated maximum value which should be checked depending on the body and application. Subject to change without notice. All data is approximate. The illustrations may contain accessories and items of optional equipment which are not part of the standard specification. The data sheet may contain product types and support services not available in certain countries.



CANTER 3S13 DUONIC® 2.0 RHD

4P10 – 96 kW (130 PS)
 350 Nm@1400 rpm
 96 kW@2620 rpm

ENGINE (EURO VI)

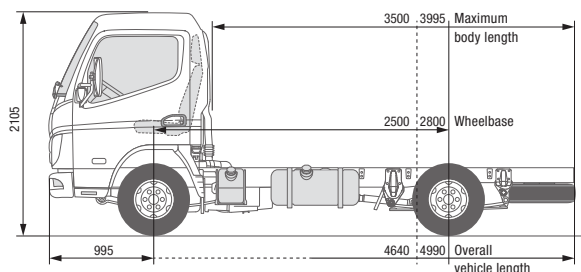
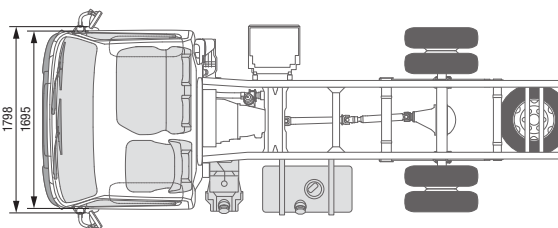
| | | | |
|----------------------------|--|-------------------|------------------------------------|
| Type | Water-cooled four-stroke diesel engine with turbocharger, intercooler and direct injection | | |
| No. of cylinders | 4/in-line | | |
| Capacity | 2998 cm ³ | | |
| Peak output | 96 kW (130 hp) / 2620 rpm | | |
| Rated torque | 350 Nm / 1400 rpm | | |
| Diesel particulate filter | Service life approx. 300,000 km | | |
| Alternator | Alternating current 12 V, 140 A | | |
| Exhaust gas aftertreatment | DPF + SCR | | |
| PTO (optional) | Type | 31 kW with flange | 31 kW for directly connected pumps |
| | Torque at peak output [Nm]: | 196 Nm | |
| | Gear ratios | 1:0.655 | 1:0.651 |
| | Engine speed at peak output | 1500 rpm | |

POWERTRAIN

| | | | |
|----------------------|------------|---|--|
| Transmission | Model | DUONIC® 2.0: Automated transmission with dual clutch, 6 forward speeds and 1 reverse gear | |
| | Gear ratio | 5.397 - 3.788 - 2.310 - 1.474 - 1.000 - 0.701 - reverse 5.397 | |
| Rear axle gear ratio | Ratio | 4.111 | |

CHASSIS

| | | | |
|-------------------------------|----------------------------------|--|--|
| Front axle / rear axle | Model | F100T / R015T | |
| | Load-bearing capacity front/rear | 1950 kg / 2500 kg | |
| Tyres | | 195/75R16C 107/105 R | |
| | | Twin tyres at rear | |
| Wheel | | 16 x 5 JK - 110 | |
| Steering | | RHD | |
| | | Rack-and-pinion steering with power assist, tilting telescopic steering column with steering-wheel lock | |
| Brake | Service brake | Hydraulic with vacuum power assist, dual-circuit with load-dependent brake proportioning valve at rear wheels | |
| | Front / rear | Disc brake (217 x 24) | |
| | Parking brake | Mechanical expanding brake on drive shaft at rear of transmission | |
| | Auxiliary brake | Exhaust brake (50 kW) | |
| Suspension | Front / rear | Independent wheel suspension (coil spring) with shock absorber / semi-elliptic leaf spring with shock absorber | |
| Frame | Type | Ladder-type frame with reinforcements and crossmembers | |
| Fuel tank capacity | | 70 litres | |
| Electrical system – batteries | | 12 V (100 AH - 760 A(EN)) | |



CANTER 3S15 LHD

MODEL / VEHICLE TYPE 3S15

| | | |
|-----------------|--------------------------|--------------|
| Cab type / crew | Standard, single cab / 3 | |
| Model variant | 46902211 | 46902311 |
| FUSO model code | FEA01BL4SEUX | FEA01CL4SEUX |

DIMENSIONS (MM)

| | | |
|----------------------------------|--------------|-------------|
| Wheelbase | 2500 | 2800 |
| Overall length | 4640 | 4990 |
| Cab length | | 1510 |
| Width overall | | 1798 |
| Cab width | | 1695 |
| Height overall | | 2105 |
| Track width | Front / rear | 1405 / 1255 |
| Frame height (at end of frame) | | 725 |
| Ground clearance | | 165 |
| Cab to rear axle | 1975 | 2275 |
| Cab to end of frame | 3120 | 3470 |
| Maximum body length** | 3500 | 3995 |
| Frame width | | 700 |
| Front overhang | | 995 |
| Rear overhang | 1145 | 1195 |
| Front axle to front of body | | 625 |
| Recommended distance cab to body | | 100 |

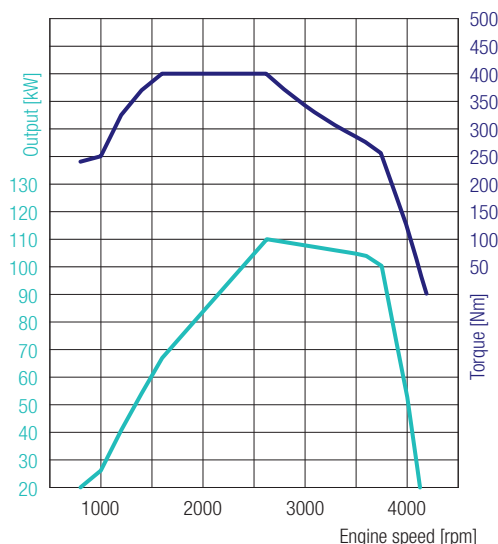
WEIGHTS (KG)

| | | | |
|---|----------------|-------------------|-------------|
| Empty weight* | | 1940 | 1950 |
| | Front* / rear* | 1420 / 520 | 1440 / 510 |
| Minimum vehicle weight | | 2150 | 2180 |
| Gross vehicle weight / gross combination weight | | | 3500 / 7000 |
| Axle loads* | Front / rear | | 1950 / 2500 |
| | Towed weight | Braked / unbraked | 3500 / 750 |
| Chassis load bearing capacity* | | 1560 | 1550 |

CALCULATED OUTPUT

| | | |
|----------------------------|--------------|------|
| Maximum speed | km/h | 145 |
| Minimum turning circle (m) | Kerb to kerb | 9.0 |
| | Wall to wall | 10.2 |

* The weight refers to the base vehicle (European series, including coolant, oil, 90% fuel, tyre sealant, tools and driver with 75 kg) without optional equipment. If any optional equipment is added, the weight changes accordingly. ** Calculated maximum value which should be checked depending on the body and application. Subject to change without notice. All data is approximate. The illustrations may contain accessories and items of optional equipment which are not part of the standard specification. The data sheet may contain product types and support services not available in certain countries.



4P10 – 110 kW (150 PS)
 400 Nm@1600 rpm
 110 kW@2626 rpm

CANTER 3S15 LHD

ENGINE (EURO VI)

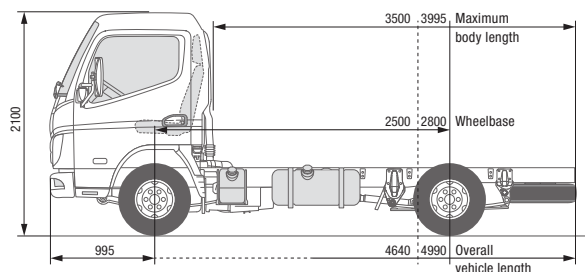
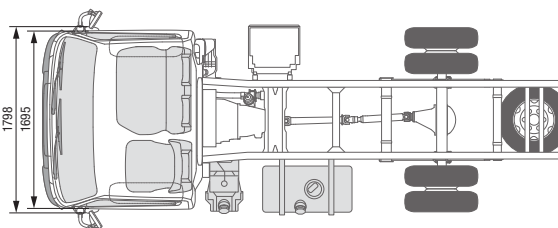
| | | | |
|----------------------------|--|-------------------|------------------------------------|
| Type | Water-cooled four-stroke diesel engine with turbocharger, intercooler and direct injection | | |
| No. of cylinders | 4/in-line | | |
| Capacity | 2998 cm ³ | | |
| Peak output | 110 kW (150 hp) / 2626 rpm | | |
| Rated torque | 400 Nm / 1600 rpm | | |
| Diesel particulate filter | Service life approx. 300,000 km | | |
| Alternator | Alternating current 12 V, 140 A | | |
| Exhaust gas aftertreatment | DPF + SCR | | |
| PTO (optional) | Type | 31 kW with flange | 31 kW for directly connected pumps |
| | Torque at peak output [Nm]: | 196 Nm | |
| | Gear ratios | 1:0.644 | 1:0.638 |
| | Engine speed at peak output | 1500 rpm | |

POWERTRAIN

| | | |
|----------------------|------------|---|
| Transmission | Model | Manual gearbox, 5 forward gears, 1 reverse gear |
| | Gear ratio | 5.494 - 3.193 - 1.689 - 1.000 - 0.723 - reverse 5.494 |
| Rear axle gear ratio | Ratio | 4.111 |

CHASSIS

| | | |
|-------------------------------|----------------------------------|--|
| Front axle / rear axle | Model | F100T / R015T |
| | Load-bearing capacity front/rear | 1950 kg / 2500 kg |
| Tyres | | 195/75R16C 107/105 R |
| | | Twin tyres at rear |
| Wheel | | 16 x 5 JK - 110 |
| Steering | | LHD |
| | | Rack-and-pinion steering with power assist, tilting telescopic steering column with steering-wheel lock |
| Brake | Service brake | Hydraulic with vacuum power assist, dual-circuit with load-dependent brake proportioning valve at rear wheels |
| | Front / rear | Disc brake (217 x 24) |
| | Parking brake | Mechanical expanding brake on drive shaft at rear of transmission |
| | Auxiliary brake | Exhaust brake (50 kW) |
| Suspension | Front / rear | Independent wheel suspension (coil spring) with shock absorber / semi-elliptic leaf spring with shock absorber |
| Frame | Type | Ladder-type frame with reinforcements and crossmembers |
| Fuel tank capacity | | 70 litres |
| Electrical system – batteries | | 12 V (100 AH - 760 A(EN)) |



CANTER 3S15 DUONIC® 2.0 LHD

MODEL / VEHICLE TYPE

Cab type / crew

Standard, single cab / 3

Model variant

46903211

46903311

FUSO model code

FEA01BL3SEUX

FEA01CL3SEUX

DIMENSIONS (MM)

| | | | |
|----------------------------------|--------------|------|-------------|
| Wheelbase | | 2500 | 2800 |
| Overall length | | 4640 | 4990 |
| Cab length | | | 1510 |
| Width overall | | | 1798 |
| Cab width | | | 1695 |
| Height overall | | | 2100 |
| Track width | Front / rear | | 1405 / 1255 |
| Frame height (at end of frame) | | 730 | 725 |
| Ground clearance | | | 165 |
| Cab to rear axle | | 1975 | 2275 |
| Cab to end of frame | | 3120 | 3470 |
| Maximum body length** | | 3500 | 3995 |
| Frame width | | | 700 |
| Front overhang | | | 995 |
| Rear overhang | | 1145 | 1195 |
| Front axle to front of body | | | 625 |
| Recommended distance cab to body | | | 100 |

WEIGHTS (KG)

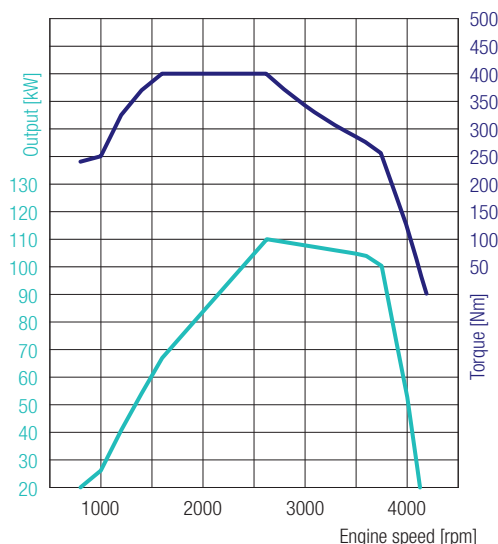
| | | | |
|---|-------------------|------------|-------------|
| Empty weight* | | 1960 | 1970 |
| | Front* / rear* | 1440 / 520 | 1455 / 515 |
| Minimum vehicle weight | | 2180 | 2205 |
| Gross vehicle weight / gross combination weight | | | 3500 / 7000 |
| Axle loads* | Front / rear | | 1950 / 2500 |
| | Braked / unbraked | | 3500 / 750 |
| Chassis load bearing capacity* | | 1540 | 1530 |

CALCULATED OUTPUT

| | | | |
|----------------------------|--------------|------|------|
| Maximum speed | km/h | | 145 |
| Minimum turning circle (m) | Kerb to kerb | 9.0 | 10.0 |
| | Wall to wall | 10.2 | 11.2 |

* The weight refers to the base vehicle (European series, including coolant, oil, 90% fuel, tyre sealant, tools and driver with 75 kg) without optional equipment. If any optional equipment is added, the weight changes accordingly. ** Calculated maximum value which should be checked depending on the body and application.

Subject to change without notice. All data is approximate. The illustrations may contain accessories and items of optional equipment which are not part of the standard specification. The data sheet may contain product types and support services not available in certain countries.



4P10 – 110 kW (150 PS)
 400 Nm@1600 rpm
 110 kW@2626 rpm

CANTER 3S15 DUONIC® 2.0 LHD

ENGINE (EURO VI)

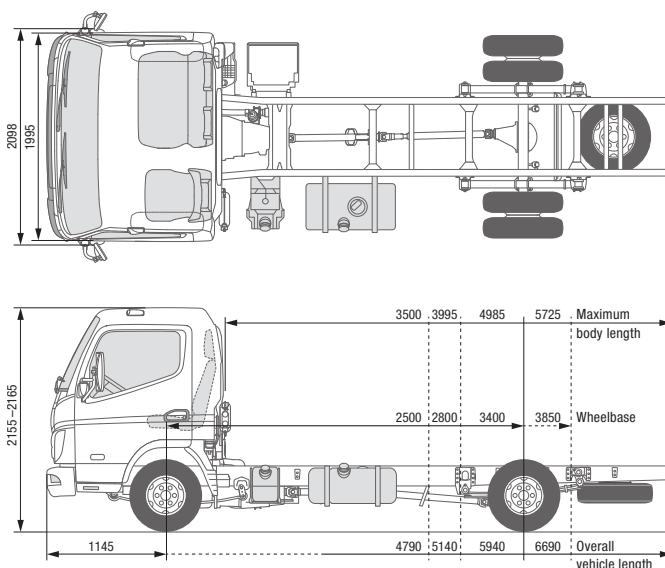
| | | | |
|----------------------------|--|-------------------|------------------------------------|
| Type | Water-cooled four-stroke diesel engine with turbocharger, intercooler and direct injection | | |
| No. of cylinders | 4/in-line | | |
| Capacity | 2998 cm ³ | | |
| Peak output | 110 kW (150 hp) / 2626 rpm | | |
| Rated torque | 400 Nm / 1600 rpm | | |
| Diesel particulate filter | Service life approx. 300,000 km | | |
| Alternator | Alternating current 12 V, 140 A | | |
| Exhaust gas aftertreatment | DPF + SCR | | |
| PTO (optional) | Type | 31 kW with flange | 31 kW for directly connected pumps |
| | Torque at peak output [Nm]: | 196 Nm | |
| | Gear ratios | 1:0.655 | 1:0.651 |
| | Engine speed at peak output | 1500 rpm | |

POWERTRAIN

| | | |
|----------------------|------------|---|
| Transmission | Model | DUONIC® 2.0: Automated transmission with dual clutch, 6 forward speeds and 1 reverse gear |
| | Gear ratio | 5.397 - 3.788 - 2.310 - 1.474 - 1.000 - 0.701 - reverse 5.397 |
| Rear axle gear ratio | Ratio | 4.111 |

CHASSIS

| | | |
|-------------------------------|----------------------------------|--|
| Front axle / rear axle | Model | F100T / R015T |
| | Load-bearing capacity front/rear | 1950 kg / 2500 kg |
| Tyres | | 195/75R16C 107/105 R |
| | | Twin tyres at rear |
| Wheel | | 16 x 5 JK - 110 |
| Steering | | LHD |
| | | Rack-and-pinion steering with power assist, tilting telescopic steering column with steering-wheel lock |
| Brake | Service brake | Hydraulic with vacuum power assist, dual-circuit with load-dependent brake proportioning valve at rear wheels |
| | Front / rear | Disc brake (217 x 24) |
| | Parking brake | Mechanical expanding brake on drive shaft at rear of transmission |
| | Auxiliary brake | Exhaust brake (50 kW) |
| Suspension | Front / rear | Independent wheel suspension (coil spring) with shock absorber / semi-elliptic leaf spring with shock absorber |
| Frame | Type | Ladder-type frame with reinforcements and crossmembers |
| Fuel tank capacity | | 70 litres |
| Electrical system – batteries | | 12 V (100 AH - 760 A(EN)) |



CANTER 3C13 LHD

MODEL / VEHICLE TYPE 3C13

| | | | | |
|-----------------|-------------------------|--------------|--------------|--------------|
| Cab type / crew | Comfort, single cab / 3 | | | |
| Model variant | 46904211 | 46904311 | 46904511 | 46904711 |
| FUSO model code | FEB01BL4SEUW | FEB01CL4SEUW | FEB01EL4SEUW | FEB01GL4SEUW |

DIMENSIONS (MM)

| | | | | | |
|----------------------------------|--------------|-------------|------|------|------|
| Wheelbase | | 2500 | 2800 | 3400 | 3850 |
| Overall length | | 4790 | 5140 | 5940 | 6690 |
| Cab length | | 1625 | | | |
| Width overall | | 2098 | | | |
| Cab width | | 1995 | | | |
| Height overall | | 2165 | 2160 | 2160 | 2155 |
| Track width | Front / rear | 1665 / 1500 | | | |
| Frame height (at end of frame) | | 740 | | 765 | |
| Ground clearance | | 165 | | | |
| Cab to rear axle | | 1975 | 2275 | 2875 | 3325 |
| Cab to end of frame | | 3120 | 3470 | 4270 | 5020 |
| Maximum body length** | | 3500 | 3995 | 4985 | 5725 |
| Frame width | | 750 | | | |
| Front overhang | | 1145 | | | |
| Rear overhang | | 1145 | 1195 | 1395 | 1695 |
| Front axle to front of body | | 625 | | | |
| Recommended distance cab to body | | 100 | | | |

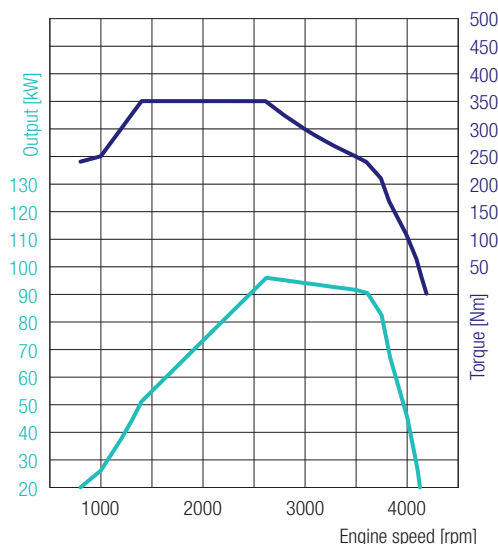
WEIGHTS (KG)

| | | | | | |
|---|-------------------|-------------|------------|------------|------------|
| Empty weight* | | 2040 | 2050 | 2070 | 2090 |
| | Front* / rear* | 1510 / 530 | 1525 / 525 | 1530 / 540 | 1550 / 540 |
| Minimum vehicle weight | | 2290 | 2310 | 2315 | 2345 |
| Gross vehicle weight / gross combination weight | | 3500 / 7000 | | | |
| Axle loads* | Front / rear | 1950 / 2500 | | | |
| Towed weight | Braked / unbraked | 3500 / 750 | | | |
| Chassis load bearing capacity* | | 1460 | 1450 | 1430 | 1410 |

CALCULATED OUTPUT

| | | | | | |
|----------------------------|--------------|------|------|------|------|
| Maximum speed | km/h | 132 | | | |
| Minimum turning circle (m) | Kerb to kerb | 8.6 | 9.4 | 11.2 | 12.4 |
| | Wall to wall | 10.0 | 11.0 | 12.6 | 14.0 |

* The weight refers to the base vehicle (European series, including coolant, oil, 90% fuel, tyre sealant, tools and driver with 75 kg) without optional equipment. If any optional equipment is added, the weight changes accordingly. ** Calculated maximum value which should be checked depending on the body and application. Subject to change without notice. All data is approximate. The illustrations may contain accessories and items of optional equipment which are not part of the standard specification. The data sheet may contain product types and support services not available in certain countries.



CANTER 3C13 LHD

4P10 – 96 kW (130 PS)
350 Nm@1400 rpm
96 kW@2620 rpm

ENGINE (EURO VI)

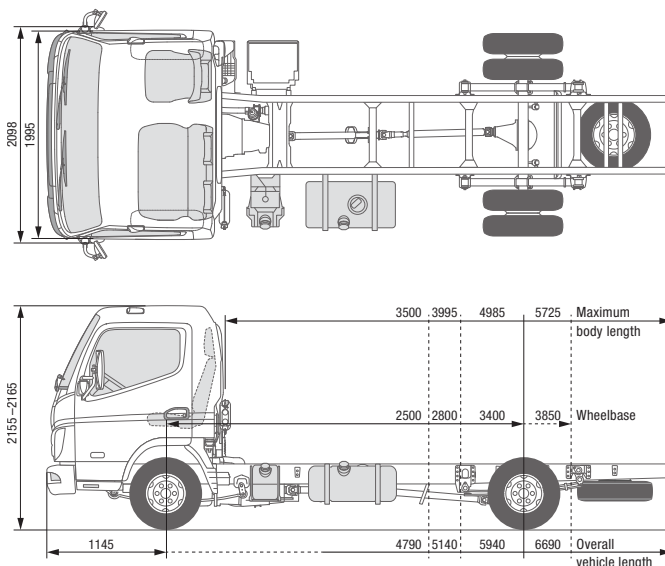
| | | | |
|----------------------------|--|-------------------|------------------------------------|
| Type | Water-cooled four-stroke diesel engine with turbocharger, intercooler and direct injection | | |
| No. of cylinders | 4/in-line | | |
| Capacity | 2998 cm ³ | | |
| Peak output | 96 kW (130 hp) / 2620 rpm | | |
| Rated torque | 350 Nm / 1400 rpm | | |
| Diesel particulate filter | Service life approx. 300,000 km | | |
| Alternator | Alternating current 12 V, 140 A | | |
| Exhaust gas aftertreatment | DPF + SCR | | |
| PTO (optional) | Type | 31 kW with flange | 31 kW for directly connected pumps |
| | Torque at peak output [Nm]: | 196 Nm | |
| | Gear ratios | 1:0.644 | 1:0.638 |
| | Engine speed at peak output | 1500 rpm | |

POWERTRAIN

| | | |
|----------------------|------------|---|
| Transmission | Model | Manual gearbox, 5 forward gears, 1 reverse gear |
| | Gear ratio | 5.494 - 3.193 - 1.689 - 1.000 - 0.723 - reverse 5.494 |
| Rear axle gear ratio | Ratio | 4.111 |

CHASSIS

| | | |
|-------------------------------|----------------------------------|--|
| Front axle / rear axle | Model | F100T / R015T |
| | Load-bearing capacity front/rear | 1950 kg / 2500 kg |
| Tyres | | 195/75R16C 107/105 R |
| | | Twin tyres at rear |
| Wheel | | 16 x 5 JK - 110 |
| Steering | | LHD |
| | | Rack-and-pinion steering with power assist, tilting telescopic steering column with steering-wheel lock |
| Brake | Service brake | Hydraulic with vacuum power assist, dual-circuit with load-dependent brake proportioning valve at rear wheels |
| | Front / rear | Disc brake (217 x 24) |
| | Parking brake | Mechanical expanding brake on drive shaft at rear of transmission |
| | Auxiliary brake | Exhaust brake (50 kW) |
| Suspension | Front / rear | Independent wheel suspension (coil spring) with shock absorber/ semi-elliptic leaf spring with shock absorber and stabiliser |
| Frame | Type | Ladder-type frame with reinforcements and crossmembers |
| Fuel tank capacity | | 70 litres |
| Electrical system – batteries | | 12 V (100 AH - 760 A(EN)) |



CANTER 3C13 RHD

MODEL / VEHICLE TYPE 3C13

| | | | | |
|-----------------|-------------------------|--------------|--------------|--------------|
| Cab type / crew | Comfort, single cab / 3 | | | |
| Model variant | 46904221 | 46904321 | 46904521 | 46904721 |
| FUSO model code | FEB01BR4SEUW | FEB01CR4SEUW | FEB01ER4SEUW | FEB01GR4SEUW |

DIMENSIONS (MM)

| | | | | |
|----------------------------------|--------------|------|-------------|------|
| Wheelbase | 2500 | 2800 | 3400 | 3850 |
| Overall length | 4790 | 5140 | 5940 | 6690 |
| Cab length | 1625 | | | |
| Width overall | 2098 | | | |
| Cab width | 1995 | | | |
| Height overall | 2165 | 2160 | 2160 | 2155 |
| Track width | Front / rear | | 1665 / 1500 | |
| Frame height (at end of frame) | 750 | | | |
| Ground clearance | 165 | | | |
| Cab to rear axle | 1975 | 2275 | 2875 | 3325 |
| Cab to end of frame | 3120 | 3470 | 4270 | 5020 |
| Maximum body length** | 3500 | 3995 | 4985 | 5725 |
| Frame width | 750 | | | |
| Front overhang | 1145 | | | |
| Rear overhang | 1145 | 1195 | 1395 | 1695 |
| Front axle to front of body | 625 | | | |
| Recommended distance cab to body | 100 | | | |

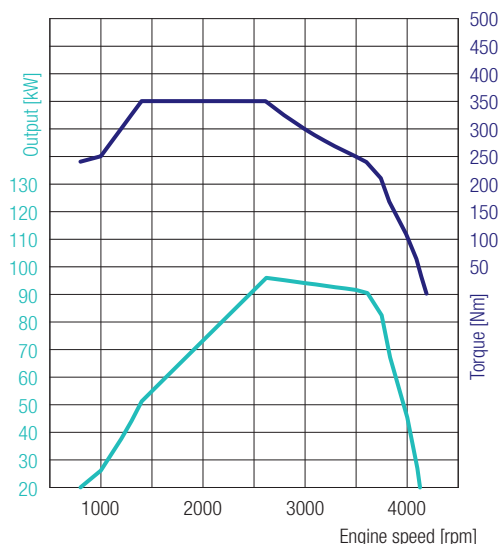
WEIGHTS (KG)

| | | | | | |
|---|-------------------|-------------|------------|------------|------------|
| Empty weight* | | 2040 | 2050 | 2070 | 2090 |
| | Front* / rear* | 1510 / 530 | 1525 / 525 | 1530 / 540 | 1550 / 540 |
| Minimum vehicle weight | | 2290 | 2310 | 2315 | 2345 |
| Gross vehicle weight / gross combination weight | | 3500 / 7000 | | | |
| Axle loads* | Front / rear | 1950 / 2500 | | | |
| Towed weight | Braked / unbraked | 3500 / 750 | | | |
| Chassis load bearing capacity* | | 1460 | 1450 | 1430 | 1410 |

CALCULATED OUTPUT

| | | | | | |
|----------------------------|--------------|------|------|------|------|
| Maximum speed | km/h | 132 | | | |
| Minimum turning circle (m) | Kerb to kerb | 8.6 | 9.4 | 11.2 | 12.4 |
| | Wall to wall | 10.0 | 11.0 | 12.6 | 14.0 |

* The weight refers to the base vehicle (European series, including coolant, oil, 90% fuel, tyre sealant, tools and driver with 75 kg) without optional equipment. If any optional equipment is added, the weight changes accordingly. ** Calculated maximum value which should be checked depending on the body and application.
Subject to change without notice. All data is approximate. The illustrations may contain accessories and items of optional equipment which are not part of the standard specification. The data sheet may contain product types and support services not available in certain countries.



CANTER 3C13

RHD

4P10 – 96 kW (130 PS)
 350 Nm@1400 rpm
 96 kW@2620 rpm

ENGINE (EURO VI)

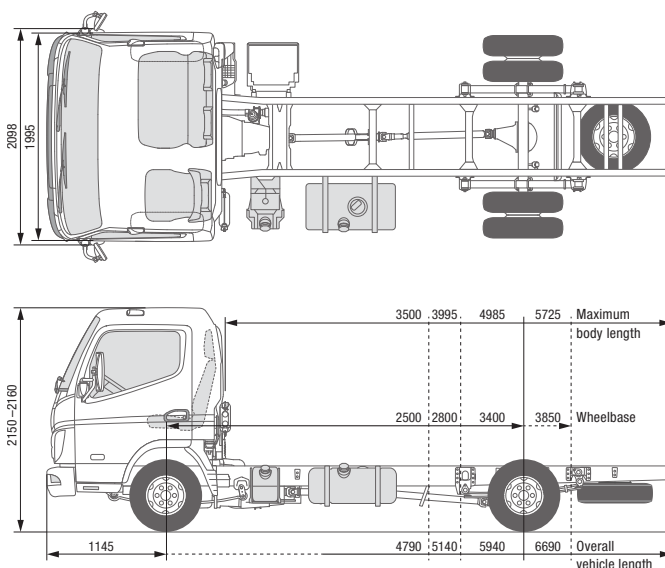
| | | | |
|----------------------------|--|-------------------|------------------------------------|
| Type | Water-cooled four-stroke diesel engine with turbocharger, intercooler and direct injection | | |
| No. of cylinders | 4/in-line | | |
| Capacity | 2998 cm ³ | | |
| Peak output | 96 kW (130 hp) / 2620 rpm | | |
| Rated torque | 350 Nm / 1400 rpm | | |
| Diesel particulate filter | Service life approx. 300,000 km | | |
| Alternator | Alternating current 12 V, 140 A | | |
| Exhaust gas aftertreatment | DPF + SCR | | |
| PTO (optional) | Type | 31 kW with flange | 31 kW for directly connected pumps |
| | Torque at peak output [Nm]: | 196 Nm | |
| | Gear ratios | 1:0.644 | 1:0.638 |
| | Engine speed at peak output | 1500 rpm | |

POWERTRAIN

| | | |
|----------------------|------------|---|
| Transmission | Model | Manual gearbox, 5 forward gears, 1 reverse gear |
| | Gear ratio | 5.494 - 3.193 - 1.689 - 1.000 - 0.723 - reverse 5.494 |
| Rear axle gear ratio | Ratio | 4.111 |

CHASSIS

| | | |
|-------------------------------|----------------------------------|---|
| Front axle / rear axle | Model | F100T / R015T |
| | Load-bearing capacity front/rear | 1950 kg / 2500 kg |
| Tyres | | 195/75R16C 107/105 R |
| | | Twin tyres at rear |
| Wheel | | 16 x 5 JK - 110 |
| Steering | | RHD |
| | | Rack-and-pinion steering with power assist, tilting telescopic steering column with steering-wheel lock |
| Brake | Service brake | Hydraulic with vacuum power assist, dual-circuit with load-dependent brake proportioning valve at rear wheels |
| | Front / rear | Disc brake (217 x 24) |
| | Parking brake | Mechanical expanding brake on drive shaft at rear of transmission |
| | Auxiliary brake | Exhaust brake (50 kW) |
| Suspension | Front / rear | Independent wheel suspension (coil spring) with shock absorber / semi-elliptic leaf spring with shock absorber and stabiliser |
| Frame | Type | Ladder-type frame with reinforcements and crossmembers |
| Fuel tank capacity | | 70 litres |
| Electrical system – batteries | | 12 V (100 AH - 760 A(EN)) |



CANTER 3C13 DUONIC® 2.0 LHD

MODEL / VEHICLE TYPE

| | 3C13 | | | |
|-----------------|-------------------------|--------------|--------------|--------------|
| Cab type / crew | Comfort, single cab / 3 | | | |
| Model variant | 46905211 | 46905311 | 46905511 | 46905711 |
| FUSO model code | FEB01BL3SEUW | FEB01CL3SEUW | FEB01EL3SEUW | FEB01GL3SEUW |

DIMENSIONS (MM)

| | | | | | |
|----------------------------------|--------------|------|-------------|------|------|
| Wheelbase | | 2500 | 2800 | 3400 | 3850 |
| Overall length | | 4790 | 5140 | 5940 | 6690 |
| Cab length | | | | 1625 | |
| Width overall | | | | 2098 | |
| Cab width | | | | 1995 | |
| Height overall | | 2160 | 2155 | 2155 | 2150 |
| Track width | Front / rear | | 1665 / 1500 | | |
| Frame height (at end of frame) | | | 745 | 765 | 770 |
| Ground clearance | | | | 165 | |
| Cab to rear axle | | 1975 | 2275 | 2875 | 3325 |
| Cab to end of frame | | 3120 | 3470 | 4270 | 5020 |
| Maximum body length** | | 3500 | 3995 | 4985 | 5725 |
| Frame width | | | | 750 | |
| Front overhang | | | | 1145 | |
| Rear overhang | | 1145 | 1195 | 1395 | 1695 |
| Front axle to front of body | | | | 625 | |
| Recommended distance cab to body | | | | 100 | |

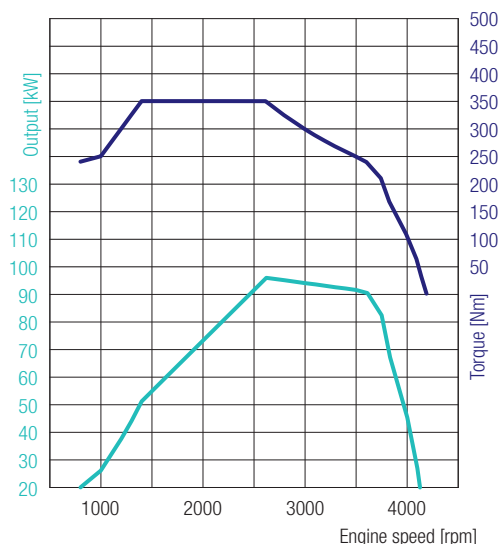
WEIGHTS (KG)

| | | | | | |
|---|-------------------|------------|------------|-------------|------------|
| Empty weight* | | 2060 | 2070 | 2095 | 2110 |
| | Front* / rear* | 1525 / 535 | 1540 / 530 | 1550 / 545 | 1565 / 545 |
| Minimum vehicle weight | | 2310 | 2335 | 2350 | 2370 |
| Gross vehicle weight / gross combination weight | | | | 3500 / 7000 | |
| Axle loads* | Front / rear | | | 1950 / 2500 | |
| Towed weight | Braked / unbraked | | | 3500 / 750 | |
| Chassis load bearing capacity* | | 1440 | 1430 | 1405 | 1390 |

CALCULATED OUTPUT

| | | | | | |
|----------------------------|--------------|------|------|------|------|
| Maximum speed | km/h | | | 131 | |
| Minimum turning circle (m) | Kerb to kerb | 8.6 | 9.4 | 11.2 | 12.4 |
| | Wall to wall | 10.0 | 11.0 | 12.6 | 14.0 |

* The weight refers to the base vehicle (European series, including coolant, oil, 90% fuel, tyre sealant, tools and driver with 75 kg) without optional equipment. If any optional equipment is added, the weight changes accordingly. ** Calculated maximum value which should be checked depending on the body and application.
Subject to change without notice. All data is approximate. The illustrations may contain accessories and items of optional equipment which are not part of the standard specification. The data sheet may contain product types and support services not available in certain countries.



CANTER 3C13 DUONIC® 2.0 LHD

4P10 – 96 kW (130 PS)
 350 Nm@1400 rpm
 96 kW@2620 rpm

ENGINE (EURO VI)

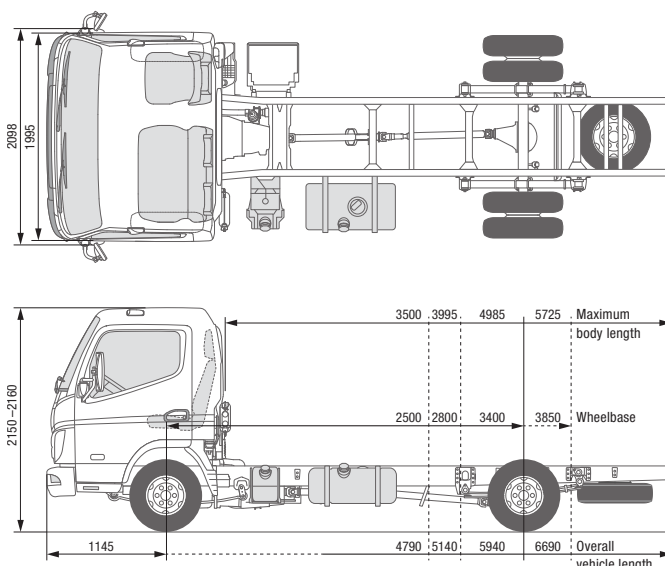
| | | | |
|----------------------------|--|-------------------|------------------------------------|
| Type | Water-cooled four-stroke diesel engine with turbocharger, intercooler and direct injection | | |
| No. of cylinders | 4/in-line | | |
| Capacity | 2998 cm ³ | | |
| Peak output | 96 kW (130 hp) / 2620 rpm | | |
| Rated torque | 350 Nm / 1400 rpm | | |
| Diesel particulate filter | Service life approx. 300,000 km | | |
| Alternator | Alternating current 12 V, 140 A | | |
| Exhaust gas aftertreatment | DPF + SCR | | |
| PTO (optional) | Type | 31 kW with flange | 31 kW for directly connected pumps |
| | Torque at peak output [Nm]: | 196 Nm | |
| | Gear ratios | 1:0.655 | 1:0.651 |
| | Engine speed at peak output | 1500 rpm | |

POWERTRAIN

| | | |
|----------------------|------------|---|
| Transmission | Type | DUONIC® 2.0: Automated transmission with dual clutch, 6 forward speeds and 1 reverse gear |
| | Gear ratio | 5.397 - 3.788 - 2.310 - 1.474 - 1.000 - 0.701 - reverse 5.397 |
| Rear axle gear ratio | Ratio | 4.111 |

CHASSIS

| | | |
|-------------------------------|----------------------------------|---|
| Front axle / rear axle | Model | F100T / R015T |
| | Load-bearing capacity front/rear | 1950 kg / 2500 kg |
| Tyres | | 195/75R16C 107/105 R |
| | | Twin tyres at rear |
| Wheel | | 16 x 5 JK - 110 |
| Steering | | LHD |
| | | Rack-and-pinion steering with power assist, tilting telescopic steering column with steering-wheel lock |
| Brake | Service brake | Hydraulic with vacuum power assist, dual-circuit with load-dependent brake proportioning valve at rear wheels |
| | Front / rear | Disc brake (217 x 24) |
| | Parking brake | Mechanical expanding brake on drive shaft at rear of transmission |
| | Auxiliary brake | Exhaust brake (50 kW) |
| Suspension | Front / rear | Independent wheel suspension (coil spring) with shock absorber / semi-elliptic leaf spring with shock absorber and stabiliser |
| Frame | Type | Ladder-type frame with reinforcements and crossmembers |
| Fuel tank capacity | | 70 litres |
| Electrical system – batteries | | 12 V (100 AH - 760 A(EN)) |



CANTER 3C13 DUONIC® 2.0 RHD

MODEL / VEHICLE TYPE

Cab type / crew

3C13
Comfort, single cab / 3

Model variant

46905221

46905321

46905521

46905721

FUSO model code

FEB01BR3SEUW

FEB01CR3SEUW

FEB01ER3SEUW

FEB01GR3SEUW

DIMENSIONS (MM)

| | | | | | |
|----------------------------------|--------------|------|------|-------------|------|
| Wheelbase | | 2500 | 2800 | 3400 | 3850 |
| Overall length | | 4790 | 5140 | 5940 | 6690 |
| Cab length | | | | 1625 | |
| Width overall | | | | 2098 | |
| Cab width | | | | 1995 | |
| Height overall | | 2160 | 2155 | 2155 | 2150 |
| Track width | Front / rear | | | 1665 / 1500 | |
| Frame height (at end of frame) | | | 745 | 765 | 770 |
| Ground clearance | | | | 165 | |
| Cab to rear axle | | 1975 | 2275 | 2875 | 3325 |
| Cab to end of frame | | 3120 | 3470 | 4270 | 5020 |
| Maximum body length** | | 3500 | 3995 | 4985 | 5725 |
| Frame width | | | | 750 | |
| Front overhang | | | | 1145 | |
| Rear overhang | | 1145 | 1195 | 1395 | 1695 |
| Front axle to front of body | | | | 625 | |
| Recommended distance cab to body | | | | 100 | |

WEIGHTS (KG)

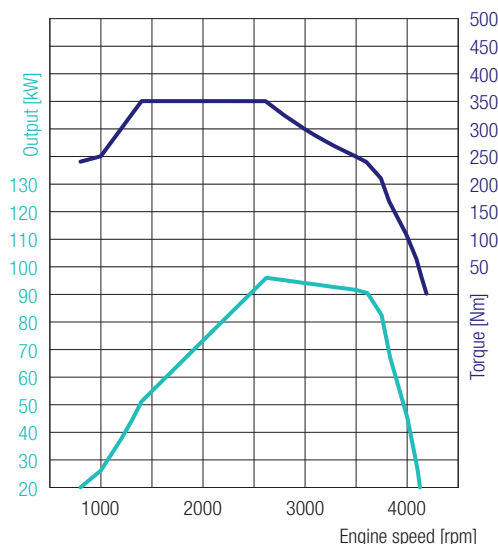
| | | | | | |
|---|-------------------|------------|------------|-------------|------------|
| Empty weight* | | 2060 | 2070 | 2095 | 2110 |
| | Front* / rear* | 1525 / 535 | 1540 / 530 | 1550 / 545 | 1565 / 545 |
| Minimum vehicle weight | | 2310 | 2335 | 2350 | 2370 |
| Gross vehicle weight / gross combination weight | | | | 3500 / 7000 | |
| Axle loads* | Front / rear | | | 1950 / 2500 | |
| Towed weight | Braked / unbraked | | | 3500 / 750 | |
| Chassis load bearing capacity* | | 1440 | 1430 | 1405 | 1390 |

CALCULATED OUTPUT

| | | | | | |
|----------------------------|--------------|------|------|------|------|
| Maximum speed | km/h | | | 131 | |
| Minimum turning circle (m) | Kerb to kerb | 8.6 | 9.4 | 11.2 | 12.4 |
| | Wall to wall | 10.0 | 11.0 | 12.6 | 14.0 |

* The weight refers to the base vehicle (European series, including coolant, oil, 90% fuel, tyre sealant, tools and driver with 75 kg) without optional equipment. If any optional equipment is added, the weight changes accordingly. ** Calculated maximum value which should be checked depending on the body and application.

Subject to change without notice. All data is approximate. The illustrations may contain accessories and items of optional equipment which are not part of the standard specification. The data sheet may contain product types and support services not available in certain countries.



CANTER 3C13 DUONIC® 2.0 RHD

4P10 – 96 kW (130 PS)
 350 Nm@1400 rpm
 96 kW@2620 rpm

ENGINE (EURO VI)

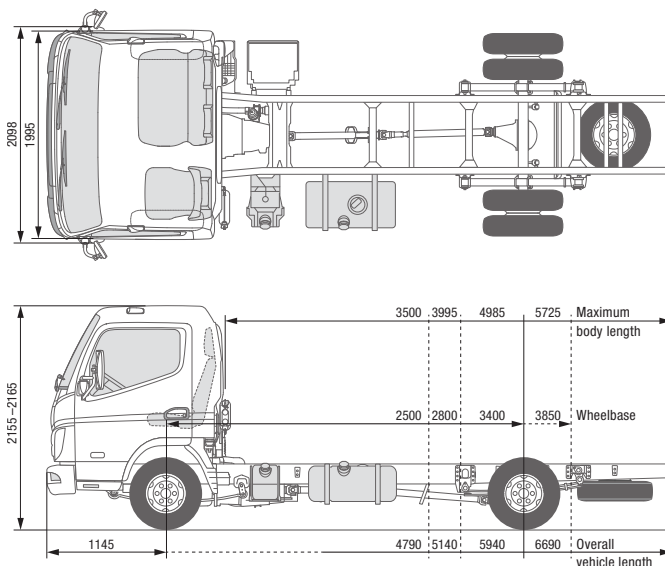
| | | | |
|----------------------------|--|-------------------|------------------------------------|
| Type | Water-cooled four-stroke diesel engine with turbocharger, intercooler and direct injection | | |
| No. of cylinders | 4/in-line | | |
| Capacity | 2998 cm ³ | | |
| Peak output | 96 kW (130 hp) / 2620 rpm | | |
| Rated torque | 350 Nm / 1400 rpm | | |
| Diesel particulate filter | Service life approx. 300,000 km | | |
| Alternator | Alternating current 12 V, 140 A | | |
| Exhaust gas aftertreatment | DPF + SCR | | |
| PTO (optional) | Type | 31 kW with flange | 31 kW for directly connected pumps |
| | Torque at peak output [Nm]: | 196 Nm | |
| | Gear ratios | 1:0.655 | 1:0.651 |
| | Engine speed at peak output | 1500 rpm | |

POWERTRAIN

| | | |
|----------------------|------------|---|
| Transmission | Model | DUONIC® 2.0: Automated transmission with dual clutch, 6 forward speeds and 1 reverse gear |
| | Gear ratio | 5.397 - 3.788 - 2.310 - 1.474 - 1.000 - 0.701 - reverse 5.397 |
| Rear axle gear ratio | Ratio | 4.111 |

CHASSIS

| | | |
|-------------------------------|----------------------------------|---|
| Front axle / rear axle | Model | F100T / R015T |
| | Load-bearing capacity front/rear | 1950 kg / 2500 kg |
| Tyres | | 195/75R16C 107/105 R |
| | | Twin tyres at rear |
| Wheel | | 16 x 5 JK - 110 |
| Steering | | RHD |
| | | Rack-and-pinion steering with power assist, tilting telescopic steering column with steering-wheel lock |
| Brake | Service brake | Hydraulic with vacuum power assist, dual-circuit with load-dependent brake proportioning valve at rear wheels |
| | Front / rear | Disc brake (217 x 24) |
| | Parking brake | Mechanical expanding brake on drive shaft at rear of transmission |
| | Auxiliary brake | Exhaust brake (50 kW) |
| Suspension | Front / rear | Independent wheel suspension (coil spring) with shock absorber / semi-elliptic leaf spring with shock absorber and stabiliser |
| Frame | Type | Ladder-type frame with reinforcements and crossmembers |
| Fuel tank capacity | | 70 litres |
| Electrical system – batteries | | 12 V (100 AH - 760 A(EN)) |



CANTER 3C15 LHD

MODEL / VEHICLE TYPE 3C15

| | | | | |
|-----------------|-------------------------|--------------|--------------|--------------|
| Cab type / crew | Comfort, single cab / 3 | | | |
| Model variant | 46906211 | 46906311 | 46906511 | 46906711 |
| FUSO model code | FEB01BL4SEUX | FEB01CL4SEUX | FEB01EL4SEUX | FEB01GL4SEUX |

DIMENSIONS (MM)

| | | | | |
|----------------------------------|--------------|------|-------------|------|
| Wheelbase | 2500 | 2800 | 3400 | 3850 |
| Overall length | 4790 | 5140 | 5940 | 6690 |
| Cab length | 1625 | | | |
| Width overall | 2098 | | | |
| Cab width | 1995 | | | |
| Height overall | 2165 | 2160 | 2160 | 2155 |
| Track width | Front / rear | | 1665 / 1500 | |
| Frame height (at end of frame) | 740 | | 765 | |
| Ground clearance | 165 | | | |
| Cab to rear axle | 1975 | 2275 | 2875 | 3325 |
| Cab to end of frame | 3120 | 3470 | 4270 | 5020 |
| Maximum body length** | 3500 | 3995 | 4985 | 5725 |
| Frame width | 750 | | | |
| Front overhang | 1145 | | | |
| Rear overhang | 1145 | 1195 | 1395 | 1695 |
| Front axle to front of body | 625 | | | |
| Recommended distance cab to body | 100 | | | |

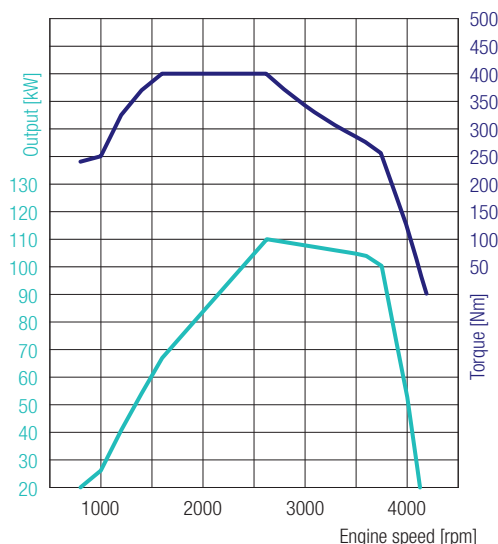
WEIGHTS (KG)

| | | | | | |
|---|-------------------|-------------|------------|------------|------------|
| Empty weight* | | 2040 | 2050 | 2070 | 2090 |
| | Front* / rear* | 1510 / 530 | 1525 / 525 | 1530 / 540 | 1550 / 540 |
| Minimum vehicle weight | | 2290 | 2310 | 2315 | 2345 |
| Gross vehicle weight / gross combination weight | | 3500 / 7000 | | | |
| Axle loads* | Front / rear | 1950 / 2500 | | | |
| Towed weight | Braked / unbraked | 3500 / 750 | | | |
| Chassis load bearing capacity* | | 1460 | 1450 | 1430 | 1410 |

CALCULATED OUTPUT

| | | | | | |
|----------------------------|--------------|------|------|------|------|
| Maximum speed | km/h | 136 | | | |
| Minimum turning circle (m) | Kerb to kerb | 8.6 | 9.4 | 11.2 | 12.4 |
| | Wall to wall | 10.0 | 11.0 | 12.6 | 14.0 |

* The weight refers to the base vehicle (European series, including coolant, oil, 90% fuel, tyre sealant, tools and driver with 75 kg) without optional equipment. If any optional equipment is added, the weight changes accordingly. ** Calculated maximum value which should be checked depending on the body and application. Subject to change without notice. All data is approximate. The illustrations may contain accessories and items of optional equipment which are not part of the standard specification. The data sheet may contain product types and support services not available in certain countries.



4P10 – 110 kW (150 PS)
 400 Nm@1600 rpm
 110 kW@2626 rpm

CANTER 3C15 LHD

ENGINE (EURO VI)

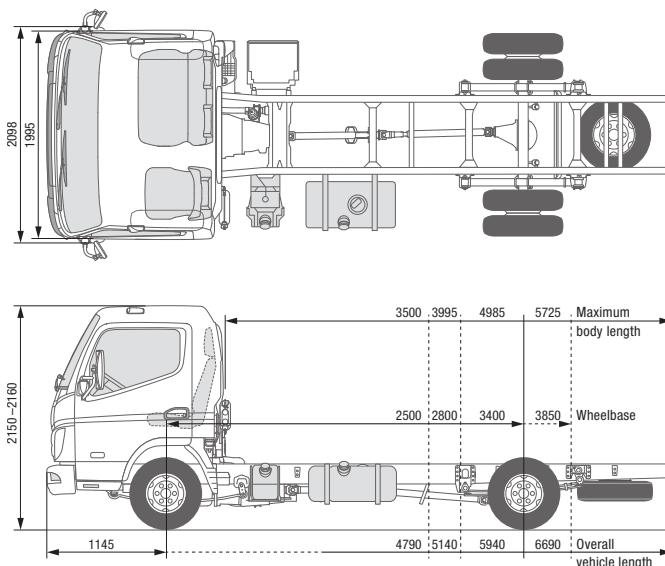
| | | | |
|----------------------------|--|-------------------|------------------------------------|
| Type | Water-cooled four-stroke diesel engine with turbocharger, intercooler and direct injection | | |
| No. of cylinders | 4/in-line | | |
| Capacity | 2998 cm ³ | | |
| Peak output | 110 kW (150 hp) / 2626 rpm | | |
| Rated torque | 400 Nm / 1600 rpm | | |
| Diesel particulate filter | Service life approx. 300,000 km | | |
| Alternator | Alternating current 12 V, 140 A | | |
| Exhaust gas aftertreatment | DPF + SCR | | |
| PTO (optional) | Type | 31 kW with flange | 31 kW for directly connected pumps |
| | Torque at peak output [Nm]: | 196 Nm | |
| | Gear ratios | 1:0.644 | 1:0.638 |
| | Engine speed at peak output | 1500 rpm | |

POWERTRAIN

| | | |
|----------------------|------------|---|
| Transmission | Model | Manual gearbox, 5 forward gears, 1 reverse gear |
| | Gear ratio | 5.494 - 3.193 - 1.689 - 1.000 - 0.723 - reverse 5.494 |
| Rear axle gear ratio | Ratio | 4.111 |

CHASSIS

| | | |
|-------------------------------|----------------------------------|---|
| Front axle / rear axle | Model | F100T / R015T |
| | Load-bearing capacity front/rear | 1950 kg / 2500 kg |
| Tyres | | 195/75R16C 107/105 R |
| | | Twin tyres at rear |
| Wheel | | 16 x 5 JK - 110 |
| Steering | | LHD |
| | | Rack-and-pinion steering with power assist, tilting telescopic steering column with steering-wheel lock |
| Brake | Service brake | Hydraulic with vacuum power assist, dual-circuit with load-dependent brake proportioning valve at rear wheels |
| | Front / rear | Disc brake (217 x 24) |
| | Parking brake | Mechanical expanding brake on drive shaft at rear of transmission |
| | Auxiliary brake | Exhaust brake (50 kW) |
| Suspension | Front / rear | Independent wheel suspension (coil spring) with shock absorber / semi-elliptic leaf spring with shock absorber and stabiliser |
| Frame | Type | Ladder-type frame with reinforcements and crossmembers |
| Fuel tank capacity | | 70 litres |
| Electrical system – batteries | | 12 V (100 AH - 760 A(EN)) |



CANTER 3C15 DUONIC® 2.0 LHD

MODEL / VEHICLE TYPE

| MODEL / VEHICLE TYPE | 3C15 | | | |
|----------------------|-------------------------|--------------|--------------|--------------|
| Cab type / crew | Comfort, single cab / 3 | | | |
| Model variant | 46907211 | 46907311 | 46907511 | 46907711 |
| FUSO model code | FEB01BL3SEUX | FEB01CL3SEUX | FEB01EL3SEUX | FEB01GL3SEUX |

DIMENSIONS (MM)

| | | | | |
|----------------------------------|--------------|------|-------------|------|
| Wheelbase | 2500 | 2800 | 3400 | 3850 |
| Overall length | 4790 | 5140 | 5940 | 6690 |
| Cab length | 1625 | | | |
| Width overall | 2098 | | | |
| Cab width | 1995 | | | |
| Height overall | 2160 | 2155 | 2155 | 2150 |
| Track width | Front / rear | | 1665 / 1500 | |
| Frame height (at end of frame) | 745 | | 765 | 770 |
| Ground clearance | 165 | | | |
| Cab to rear axle | 1975 | 2275 | 2875 | 3325 |
| Cab to end of frame | 3120 | 3470 | 4270 | 5020 |
| Maximum body length** | 3500 | 3995 | 4985 | 5725 |
| Frame width | 750 | | | |
| Front overhang | 1145 | | | |
| Rear overhang | 1145 | 1195 | 1395 | 1695 |
| Front axle to front of body | 625 | | | |
| Recommended distance cab to body | 100 | | | |

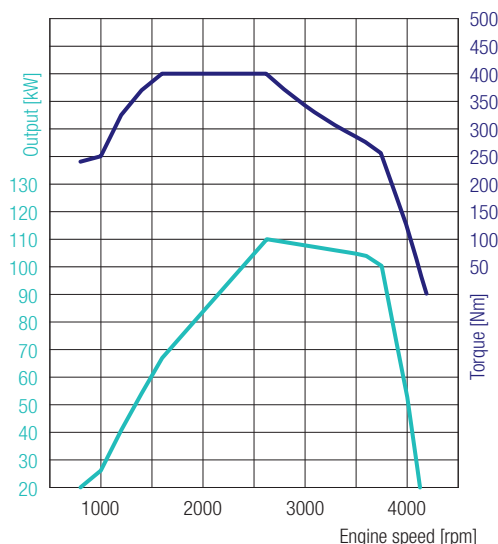
WEIGHTS (KG)

| | | | | | |
|---|-------------------|-------------|------------|------------|------------|
| Empty weight* | | 2060 | 2070 | 2095 | 2110 |
| | Front* / rear* | 1525 / 535 | 1540 / 530 | 1550 / 545 | 1565 / 545 |
| Minimum vehicle weight | | 2310 | 2335 | 2350 | 2370 |
| Gross vehicle weight / gross combination weight | | 3500 / 7000 | | | |
| Axle loads* | Front / rear | 1950 / 2500 | | | |
| Towed weight | Braked / unbraked | 3500 / 750 | | | |
| Chassis load bearing capacity* | | 1440 | 1430 | 1405 | 1390 |

CALCULATED OUTPUT

| | | | | | |
|----------------------------|--------------|------|------|------|------|
| Maximum speed | km/h | 137 | | | |
| Minimum turning circle (m) | Kerb to kerb | 8.6 | 9.4 | 11.2 | 12.4 |
| | Wall to wall | 10.0 | 11.0 | 12.6 | 14.0 |

* The weight refers to the base vehicle (European series, including coolant, oil, 90% fuel, tyre sealant, tools and driver with 75 kg) without optional equipment. If any optional equipment is added, the weight changes accordingly. ** Calculated maximum value which should be checked depending on the body and application. Subject to change without notice. All data is approximate. The illustrations may contain accessories and items of optional equipment which are not part of the standard specification. The data sheet may contain product types and support services not available in certain countries.



CANTER 3C15 DUONIC® 2.0 LHD

4P10 – 110 kW (150 PS)
 400 Nm@1600 rpm
 110 kW@2626 rpm

ENGINE (EURO VI)

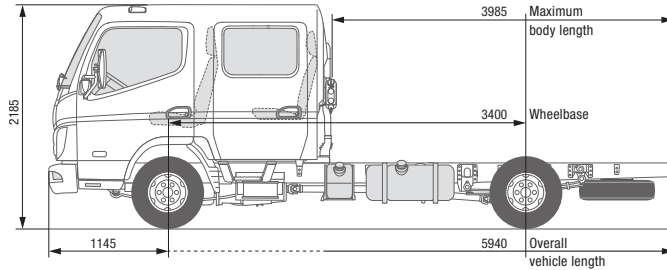
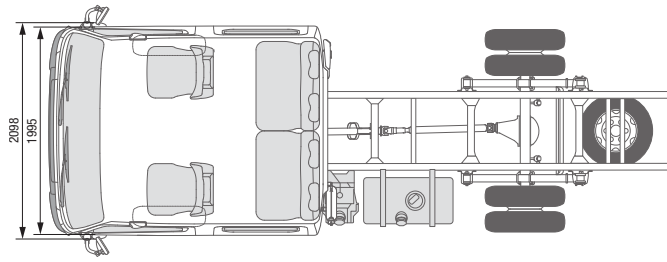
| | | | |
|----------------------------|--|-------------------|------------------------------------|
| Type | Water-cooled four-stroke diesel engine with turbocharger, intercooler and direct injection | | |
| No. of cylinders | 4/in-line | | |
| Capacity | 2998 cm ³ | | |
| Peak output | 110 kW (150 hp) / 2626 rpm | | |
| Rated torque | 400 Nm / 1600 rpm | | |
| Diesel particulate filter | Service life approx. 300,000 km | | |
| Alternator | Alternating current 12 V, 140 A | | |
| Exhaust gas aftertreatment | DPF + SCR | | |
| PTO (optional) | Type | 31 kW with flange | 31 kW for directly connected pumps |
| | Torque at peak output [Nm]: | 196 Nm | |
| | Gear ratios | 1:0.655 | 1:0.651 |
| | Engine speed at peak output | 1500 rpm | |

POWERTRAIN

| | | |
|----------------------|------------|---|
| Transmission | Model | DUONIC® 2.0: Automated transmission with dual clutch, 6 forward speeds and 1 reverse gear |
| | Gear ratio | 5.397 - 3.788 - 2.310 - 1.474 - 1.000 - 0.701 - reverse 5.397 |
| Rear axle gear ratio | Ratio | 4.111 |

CHASSIS

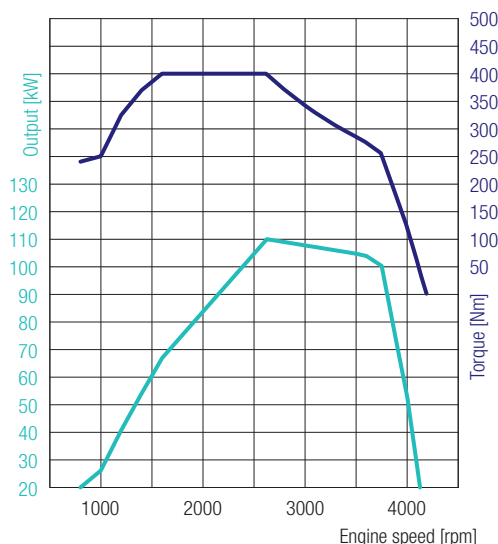
| | | |
|-------------------------------|----------------------------------|---|
| Front axle / rear axle | Model | F100T / R015T |
| | Load-bearing capacity front/rear | 1950 kg / 2500 kg |
| Tyres | | 195/75R16C 107/105 R |
| | | Twin tyres at rear |
| Wheel | | 16 x 5 JK - 110 |
| Steering | | LHD |
| | | Rack-and-pinion steering with power assist, tilting telescopic steering column with steering-wheel lock |
| Brake | Service brake | Hydraulic with vacuum power assist, dual-circuit with load-dependent brake proportioning valve at rear wheels |
| | Front / rear | Disc brake (217 x 24) |
| | Parking brake | Mechanical expanding brake on drive shaft at rear of transmission |
| | Auxiliary brake | Exhaust brake (50 kW) |
| Suspension | Front / rear | Independent wheel suspension (coil spring) with shock absorber / semi-elliptic leaf spring with shock absorber and stabiliser |
| Frame | Type | Ladder-type frame with reinforcements and crossmembers |
| Fuel tank capacity | | 70 litres |
| Electrical system – batteries | | 12 V (100 AH - 760 A(EN)) |



CANTER 3C15D LHD

| MODEL / VEHICLE TYPE | | 3C15D |
|---|--|------------------------------|
| Cab type / crew | | Comfort, crew cab / 6 |
| Model variant | | 46906513 |
| FUSO model code | | FEB01EL4WEUX |
| DIMENSIONS (MM) | | |
| Wheelbase | | 3400 |
| Overall length | | 5940 |
| Cab length | | 2625 |
| Width overall | | 2098 |
| Cab width | | 1995 |
| Height overall | | 2185 |
| Track width | | Front / rear 1665 / 1500 |
| Frame height (at end of frame) | | 755 |
| Ground clearance | | 165 |
| Cab to rear axle | | 1875 |
| Cab to end of frame | | 3270 |
| Maximum body length** | | 3985 |
| Frame width | | 750 |
| Front overhang | | 1145 |
| Rear overhang | | 1395 |
| Front axle to front of body | | 1625 |
| Recommended distance cab to body | | 100 |
| WEIGHTS (KG) | | |
| Empty weight* | | 2295 |
| Front* / rear* | | 1675 / 620 |
| Minimum vehicle weight | | 2535 |
| Gross vehicle weight / gross combination weight | | 3500 / 7000 |
| Axle loads* | | Front / rear 1950 / 2500 |
| Towed weight | | Braked / unbraked 3500 / 750 |
| Chassis load bearing capacity* | | 1205 |
| CALCULATED OUTPUT | | |
| Maximum speed | | km/h 136 |
| Minimum turning circle (m) | | Kerb to kerb 11.2 |
| | | Wall to wall 12.6 |

* The weight refers to the base vehicle (European series, including coolant, oil, 90% fuel, tyre sealant, tools and driver with 75 kg) without optional equipment. If any optional equipment is added, the weight changes accordingly. ** Calculated maximum value which should be checked depending on the body and application. Subject to change without notice. All data is approximate. The illustrations may contain accessories and items of optional equipment which are not part of the standard specification. The data sheet may contain product types and support services not available in certain countries.



4P10 – 110 kW (150 PS)
 400 Nm@1600 rpm
 110 kW@2626 rpm

CANTER 3C15D

LHD

ENGINE (EURO VI)

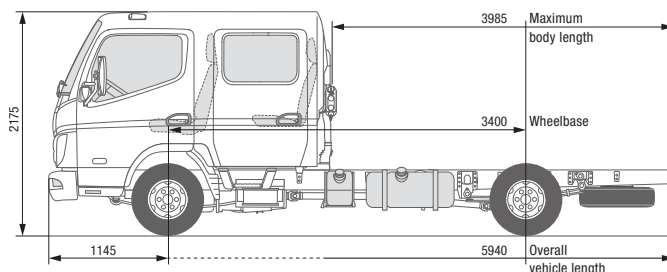
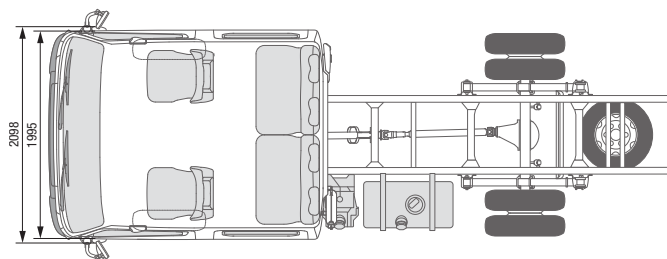
| | | | |
|----------------------------|--|-------------------|------------------------------------|
| Type | Water-cooled four-stroke diesel engine with turbocharger, intercooler and direct injection | | |
| No. of cylinders | 4/in-line | | |
| Capacity | 2998 cm ³ | | |
| Peak output | 110 kW (150 hp) / 2626 rpm | | |
| Rated torque | 400 Nm / 1600 rpm | | |
| Diesel particulate filter | Service life approx. 300,000 km | | |
| Alternator | Alternating current 12 V, 140 A | | |
| Exhaust gas aftertreatment | DPF + SCR | | |
| PTO (optional) | Type | 31 kW with flange | 31 kW for directly connected pumps |
| | Torque at peak output [Nm]: | 196 Nm | |
| | Gear ratios | 1:0.655 | 1:0.651 |
| | Engine speed at peak output | 1500 rpm | |

POWERTRAIN

| | | |
|----------------------|------------|---|
| Transmission | Model | Manual gearbox, 5 forward gears, 1 reverse gear |
| | Gear ratio | 5.494 - 3.193 - 1.689 - 1.000 - 0.723 - reverse 5.494 |
| Rear axle gear ratio | Ratio | 4.111 |

CHASSIS

| | | |
|-------------------------------|----------------------------------|---|
| Front axle / rear axle | Model | F100T / R015T |
| | Load-bearing capacity front/rear | 1950 kg / 2500 kg |
| Tyres | | 195/75R16C 107/105 R |
| | | Twin tyres at rear |
| Wheel | | 16 x 5 JK - 110 |
| Steering | | LHD |
| | | Rack-and-pinion steering with power assist, tilting telescopic steering column with steering-wheel lock |
| Brake | Service brake | Hydraulic with vacuum power assist, dual-circuit with load-dependent brake proportioning valve at rear wheels |
| | Front / rear | Disc brake (217 x 24) |
| | Parking brake | Mechanical expanding brake on drive shaft at rear of transmission |
| | Auxiliary brake | Exhaust brake (50 kW) |
| Suspension | Front / rear | Independent wheel suspension (coil spring) with shock absorber / semi-elliptic leaf spring with shock absorber and stabiliser |
| Frame | Type | Ladder-type frame with reinforcements and crossmembers |
| Fuel tank capacity | | 70 litres |
| Electrical system – batteries | | 12 V (100 AH - 760 A(EN)) |



CANTER 3C15D DUONIC® 2.0 LHD

MODEL / VEHICLE TYPE 3C15D

| | |
|-----------------|-----------------------|
| Cab type / crew | Comfort, crew cab / 6 |
| Model variant | 46907513 |
| FUSO model code | FEB01EL3WEUX |

DIMENSIONS (MM)

| | | |
|----------------------------------|--------------|-------------|
| Wheelbase | | 3400 |
| Overall length | | 5940 |
| Cab length | | 2625 |
| Width overall | | 2098 |
| Cab width | | 1995 |
| Height overall | | 2175 |
| Track width | Front / rear | 1665 / 1500 |
| Frame height (at end of frame) | | 760 |
| Ground clearance | | 165 |
| Cab to rear axle | | 1875 |
| Cab to end of frame | | 3270 |
| Maximum body length** | | 3985 |
| Frame width | | 750 |
| Front overhang | | 1145 |
| Rear overhang | | 1395 |
| Front axle to front of body | | 1625 |
| Recommended distance cab to body | | 100 |

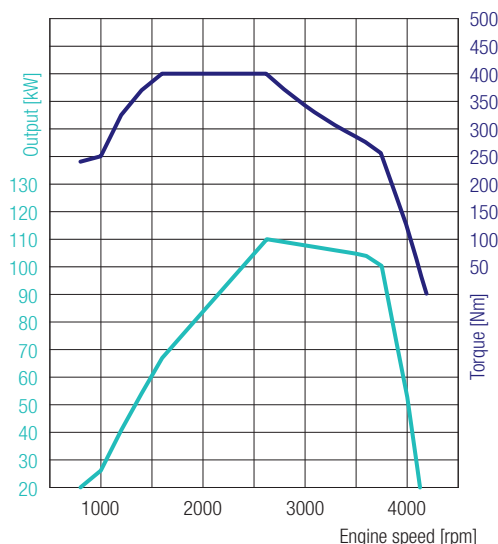
WEIGHTS (KG)

| | | |
|---|-------------------|-------------|
| Empty weight* | | 2315 |
| | Front* / rear* | 1690 / 625 |
| Minimum vehicle weight | | 2565 |
| Gross vehicle weight / gross combination weight | | 3500 / 7000 |
| Axle loads* | Front / rear | 1950 / 2500 |
| Towed weight | Braked / unbraked | 3500 / 750 |
| Chassis load bearing capacity* | | 1185 |

CALCULATED OUTPUT

| | | |
|----------------------------|--------------|------|
| Maximum speed | km/h | 137 |
| Minimum turning circle (m) | Kerb to kerb | 11.2 |
| | Wall to wall | 12.6 |

* The weight refers to the base vehicle (European series, including coolant, oil, 90% fuel, tyre sealant, tools and driver with 75 kg) without optional equipment. If any optional equipment is added, the weight changes accordingly. ** Calculated maximum value which should be checked depending on the body and application. Subject to change without notice. All data is approximate. The illustrations may contain accessories and items of optional equipment which are not part of the standard specification. The data sheet may contain product types and support services not available in certain countries.



4P10 – 110 kW (150 PS)
 400 Nm@1600 rpm
 110 kW@2626 rpm

CANTER 3C15D DUONIC® 2.0 LHD

ENGINE (EURO VI)

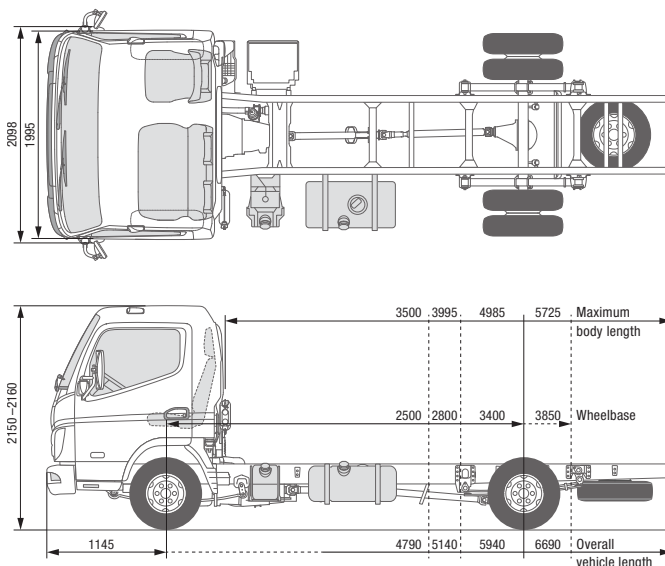
| | | | |
|----------------------------|--|-------------------|------------------------------------|
| Type | Water-cooled four-stroke diesel engine with turbocharger, intercooler and direct injection | | |
| No. of cylinders | 4/in-line | | |
| Capacity | 2998 cm ³ | | |
| Peak output | 110 kW (150 hp) / 2626 rpm | | |
| Rated torque | 400 Nm / 1600 rpm | | |
| Diesel particulate filter | Service life approx. 300,000 km | | |
| Alternator | Alternating current 12 V, 140 A | | |
| Exhaust gas aftertreatment | DPF + SCR | | |
| PTO (optional) | Type | 31 kW with flange | 31 kW for directly connected pumps |
| | Torque at peak output [Nm]: | 196 Nm | |
| | Gear ratios | 1:0.655 | 1:0.651 |
| | Engine speed at peak output | 1500 rpm | |

POWERTRAIN

| | | |
|----------------------|------------|---|
| Transmission | Model | DUONIC® 2.0: Automated transmission with dual clutch, 6 forward speeds and 1 reverse gear |
| | Gear ratio | 5.397 - 3.788 - 2.310 - 1.474 - 1.000 - 0.701 - reverse 5.397 |
| Rear axle gear ratio | Ratio | 4.444 |

CHASSIS

| | | |
|-------------------------------|----------------------------------|---|
| Front axle / rear axle | Model | F100T / R015T |
| | Load-bearing capacity front/rear | 1950 kg / 2500 kg |
| Tyres | | 195/75R16C 107/105 R |
| | | Twin tyres at rear |
| Wheel | | 16 x 5 JK - 110 |
| Steering | | LHD |
| | | Rack-and-pinion steering with power assist, tilting telescopic steering column with steering-wheel lock |
| Brake | Service brake | Hydraulic with vacuum power assist, dual-circuit with load-dependent brake proportioning valve at rear wheels |
| | Front / rear | Disc brake (217 x 24) |
| | Parking brake | Mechanical expanding brake on drive shaft at rear of transmission |
| | Auxiliary brake | Exhaust brake (50 kW) |
| Suspension | Front / rear | Independent wheel suspension (coil spring) with shock absorber / semi-elliptic leaf spring with shock absorber and stabiliser |
| Frame | Type | Ladder-type frame with reinforcements and crossmembers |
| Fuel tank capacity | | 70 litres |
| Electrical system – batteries | | 12 V (100 AH - 760 A(EN)) |



CANTER 3C15 DUONIC® 2.0 RHD

MODEL / VEHICLE TYPE 3C15

| | | | | |
|-----------------|-------------------------|--------------|--------------|--------------|
| Cab type / crew | Comfort, single cab / 3 | | | |
| Model variant | 46907221 | 46907321 | 46907521 | 46907721 |
| FUSO model code | FEB01BR3SEUX | FEB01CR3SEUX | FEB01ER3SEUX | FEB01GR3SEUX |

DIMENSIONS (MM)

| | | | | | |
|----------------------------------|--------------|-------------|------|------|------|
| Wheelbase | | 2500 | 2800 | 3400 | 3850 |
| Overall length | | 4790 | 5140 | 5940 | 6690 |
| Cab length | | 1625 | | | |
| Width overall | | 2098 | | | |
| Cab width | | 1995 | | | |
| Height overall | | 2160 | 2155 | 2155 | 2150 |
| Track width | Front / rear | 1665 / 1500 | | | |
| Frame height (at end of frame) | | 745 | | 765 | 770 |
| Ground clearance | | 165 | | | |
| Cab to rear axle | | 1975 | 2275 | 2875 | 3325 |
| Cab to end of frame | | 3120 | 3470 | 4270 | 5020 |
| Maximum body length** | | 3500 | 3995 | 4985 | 5725 |
| Frame width | | 750 | | | |
| Front overhang | | 1145 | | | |
| Rear overhang | | 1145 | 1195 | 1395 | 1695 |
| Front axle to front of body | | 625 | | | |
| Recommended distance cab to body | | 100 | | | |

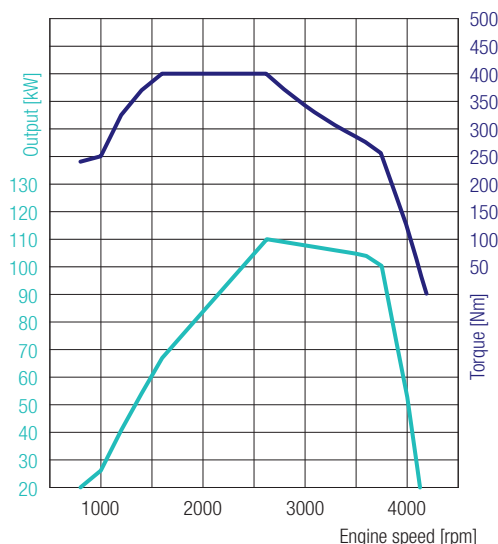
WEIGHTS (KG)

| | | | | | |
|---|-------------------|-------------|------------|------------|------------|
| Empty weight* | | 2060 | 2070 | 2095 | 2110 |
| | Front* / rear* | 1525 / 535 | 1540 / 530 | 1550 / 545 | 1565 / 545 |
| Minimum vehicle weight | | 2310 | 2335 | 2350 | 2370 |
| Gross vehicle weight / gross combination weight | | 3500 / 7000 | | | |
| Axle loads* | Front / rear | 1950 / 2500 | | | |
| Towed weight | Braked / unbraked | 3500 / 750 | | | |
| Chassis load bearing capacity* | | 1440 | 1430 | 1405 | 1390 |

CALCULATED OUTPUT

| | | | | | |
|----------------------------|--------------|------|------|------|------|
| Maximum speed | km/h | 139 | | | |
| Minimum turning circle (m) | Kerb to kerb | 8.6 | 9.4 | 11.2 | 12.4 |
| | Wall to wall | 10.0 | 11.0 | 12.6 | 14.0 |

* The weight refers to the base vehicle (European series, including coolant, oil, 90% fuel, tyre sealant, tools and driver with 75 kg) without optional equipment. If any optional equipment is added, the weight changes accordingly. ** Calculated maximum value which should be checked depending on the body and application. Subject to change without notice. All data is approximate. The illustrations may contain accessories and items of optional equipment which are not part of the standard specification. The data sheet may contain product types and support services not available in certain countries.



CANTER 3C15 DUONIC® 2.0 RHD

4P10 – 110 kW (150 PS)
 400 Nm@1600 rpm
 110 kW@2626 rpm

ENGINE (EURO VI)

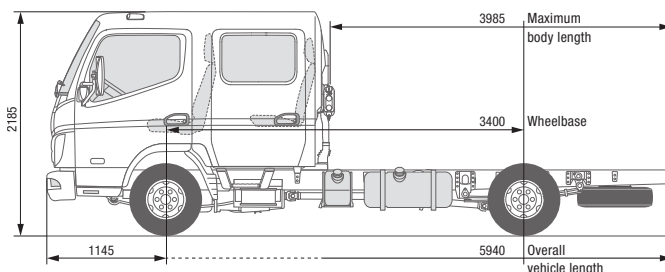
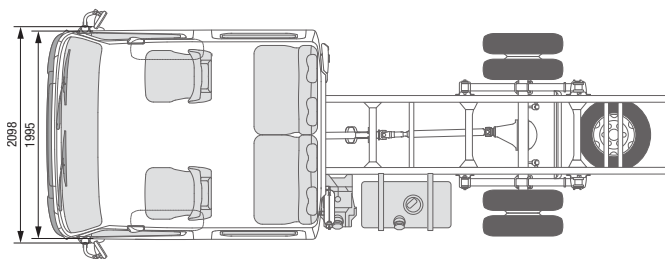
| | | | |
|----------------------------|--|-------------------|------------------------------------|
| Type | Water-cooled four-stroke diesel engine with turbocharger, intercooler and direct injection | | |
| No. of cylinders | 4/in-line | | |
| Capacity | 2998 cm ³ | | |
| Peak output | 110 kW (150 hp) / 2626 rpm | | |
| Rated torque | 400 Nm / 1600 rpm | | |
| Diesel particulate filter | Service life approx. 300,000 km | | |
| Alternator | Alternating current 12 V, 140 A | | |
| Exhaust gas aftertreatment | DPF + SCR | | |
| PTO (optional) | Type | 31 kW with flange | 31 kW for directly connected pumps |
| | Torque at peak output [Nm]: | 196 Nm | |
| | Gear ratios | 1:0.655 | 1:0.651 |
| | Engine speed at peak output | 1500 rpm | |

POWERTRAIN

| | | |
|----------------------|------------|---|
| Transmission | Model | DUONIC® 2.0: Automated transmission with dual clutch, 6 forward speeds and 1 reverse gear |
| | Gear ratio | 5.397 - 3.788 - 2.310 - 1.474 - 1.000 - 0.701 - reverse 5.397 |
| Rear axle gear ratio | Ratio | 4.111 |

CHASSIS

| | | |
|-------------------------------|----------------------------------|---|
| Front axle / rear axle | Model | F100T / R015T |
| | Load-bearing capacity front/rear | 1950 kg / 2500 kg |
| Tyres | | 195/75R16C 107/105 R |
| | | Twin tyres at rear |
| Wheel | | 16 x 5 JK - 110 |
| Steering | | RHD |
| | | Rack-and-pinion steering with power assist, tilting telescopic steering column with steering-wheel lock |
| Brake | Service brake | Hydraulic with vacuum power assist, dual-circuit with load-dependent brake proportioning valve at rear wheels |
| | Front / rear | Disc brake (217 x 24) |
| | Parking brake | Mechanical expanding brake on drive shaft at rear of transmission |
| | Auxiliary brake | Exhaust brake (50 kW) |
| Suspension | Front / rear | Independent wheel suspension (coil spring) with shock absorber / semi-elliptic leaf spring with shock absorber and stabiliser |
| Frame | Type | Ladder-type frame with reinforcements and crossmembers |
| Fuel tank capacity | | 70 litres |
| Electrical system – batteries | | 12 V (100 AH - 760 A(EN)) |



CANTER 3C15D

RHD

MODEL / VEHICLE TYPE 3C15D

| | |
|-----------------|-----------------------|
| Cab type / crew | Comfort, crew cab / 6 |
| Model variant | 46906523 |
| FUSO model code | FEB01ER4WEUX |

DIMENSIONS (MM)

| | | |
|----------------------------------|--------------|-------------|
| Wheelbase | | 3400 |
| Overall length | | 5940 |
| Cab length | | 2625 |
| Width overall | | 2098 |
| Cab width | | 1995 |
| Height overall | | 2185 |
| Track width | Front / rear | 1665 / 1500 |
| Frame height (at end of frame) | | 755 |
| Ground clearance | | 165 |
| Cab to rear axle | | 1875 |
| Cab to end of frame | | 3270 |
| Maximum body length** | | 3985 |
| Frame width | | 750 |
| Front overhang | | 1145 |
| Rear overhang | | 1395 |
| Front axle to front of body | | 1625 |
| Recommended distance cab to body | | 100 |

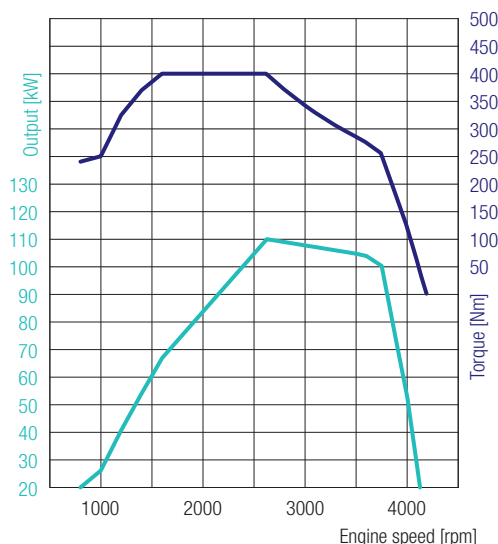
WEIGHTS (KG)

| | | |
|---|-------------------|-------------|
| Empty weight* | | 2295 |
| | Front* / rear* | 1675 / 620 |
| Minimum vehicle weight | | 2535 |
| Gross vehicle weight / gross combination weight | | 3500 / 7000 |
| Axle loads* | Front / rear | 1950 / 2500 |
| Towed weight | Braked / unbraked | 3500 / 750 |
| Chassis load bearing capacity* | | 1205 |

CALCULATED OUTPUT

| | | |
|----------------------------|--------------|------|
| Maximum speed | km/h | 136 |
| Minimum turning circle (m) | Kerb to kerb | 11.2 |
| | Wall to wall | 12.6 |

* The weight refers to the base vehicle (European series, including coolant, oil, 90% fuel, tyre sealant, tools and driver with 75 kg) without optional equipment. If any optional equipment is added, the weight changes accordingly. ** Calculated maximum value which should be checked depending on the body and application. Subject to change without notice. All data is approximate. The illustrations may contain accessories and items of optional equipment which are not part of the standard specification. The data sheet may contain product types and support services not available in certain countries.



4P10 – 110 kW (150 PS)
 400 Nm@1600 rpm
 110 kW@2626 rpm

CANTER 3C15D RHD

ENGINE (EURO VI)

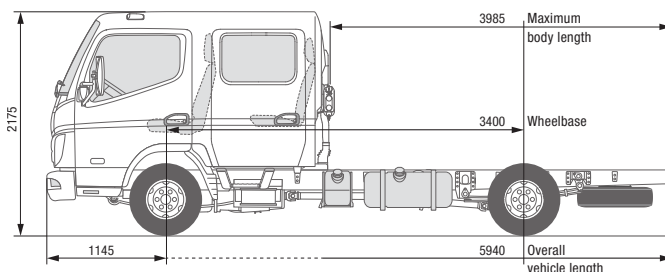
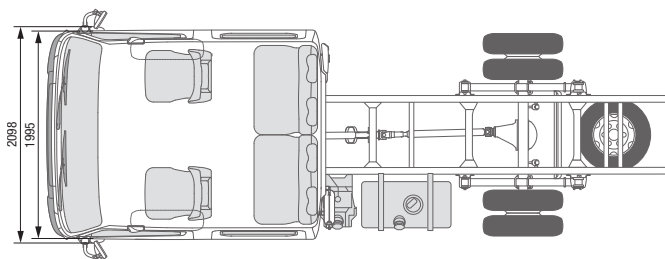
| | | | |
|----------------------------|--|-------------------|------------------------------------|
| Type | Water-cooled four-stroke diesel engine with turbocharger, intercooler and direct injection | | |
| No. of cylinders | 4/in-line | | |
| Capacity | 2998 cm ³ | | |
| Peak output | 110 kW (150 hp) / 2626 rpm | | |
| Rated torque | 400 Nm / 1600 rpm | | |
| Diesel particulate filter | Service life approx. 300,000 km | | |
| Alternator | Alternating current 12 V, 140 A | | |
| Exhaust gas aftertreatment | DPF + SCR | | |
| PTO (optional) | Type | 31 kW with flange | 31 kW for directly connected pumps |
| | Torque at peak output [Nm]: | 196 Nm | |
| | Gear ratios | 1:0.655 | 1:0.651 |
| | Engine speed at peak output | 1500 rpm | |

POWERTRAIN

| | | |
|----------------------|------------|---|
| Transmission | Model | Manual gearbox, 5 forward gears, 1 reverse gear |
| | Gear ratio | 5.494 - 3.193 - 1.689 - 1.000 - 0.723 - reverse 5.494 |
| Rear axle gear ratio | Ratio | 4.111 |

CHASSIS

| | | |
|-------------------------------|----------------------------------|---|
| Front axle / rear axle | Model | F100T / R015T |
| | Load-bearing capacity front/rear | 1950 kg / 2500 kg |
| Tyres | | 195/75R16C 107/105 R |
| | | Twin tyres at rear |
| Wheel | | 16 x 5 JK - 110 |
| Steering | | RHD |
| | | Rack-and-pinion steering with power assist, tilting telescopic steering column with steering-wheel lock |
| Brake | Service brake | Hydraulic with vacuum power assist, dual-circuit with load-dependent brake proportioning valve at rear wheels |
| | Front / rear | Disc brake (217 x 24) |
| | Parking brake | Mechanical expanding brake on drive shaft at rear of transmission |
| | Auxiliary brake | Exhaust brake (50 kW) |
| Suspension | Front / rear | Independent wheel suspension (coil spring) with shock absorber / semi-elliptic leaf spring with shock absorber and stabiliser |
| Frame | Type | Ladder-type frame with reinforcements and crossmembers |
| Fuel tank capacity | | 70 litres |
| Electrical system – batteries | | 12 V (100 AH - 760 A(EN)) |



CANTER 3C15D DUONIC® 2.0 RHD

MODEL / VEHICLE TYPE

| | |
|-----------------|-----------------------|
| Cab type / crew | Comfort, crew cab / 6 |
| Model variant | 46907523 |
| FUSO model code | FEB01ER3WEUX |

DIMENSIONS (MM)

| | | |
|----------------------------------|--------------|-------------|
| Wheelbase | | 3400 |
| Overall length | | 5940 |
| Cab length | | 2625 |
| Width overall | | 2098 |
| Cab width | | 1995 |
| Height overall | | 2175 |
| Track width | Front / rear | 1665 / 1500 |
| Frame height (at end of frame) | | 760 |
| Ground clearance | | 165 |
| Cab to rear axle | | 1875 |
| Cab to end of frame | | 3270 |
| Maximum body length** | | 3985 |
| Frame width | | 750 |
| Front overhang | | 1145 |
| Rear overhang | | 1395 |
| Front axle to front of body | | 1625 |
| Recommended distance cab to body | | 100 |

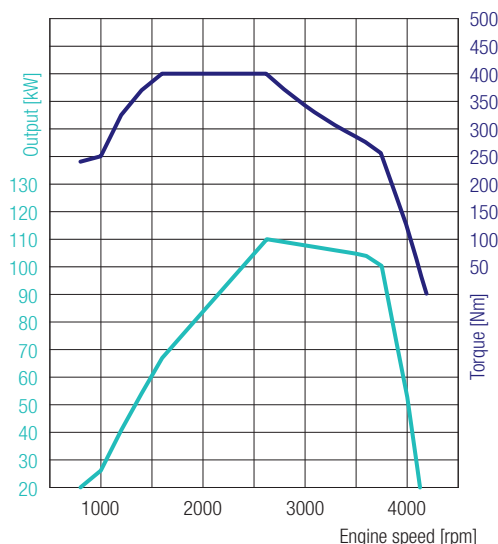
WEIGHTS (KG)

| | | |
|---|-------------------|-------------|
| Empty weight* | | 2315 |
| | Front* / rear* | 1690 / 625 |
| Minimum vehicle weight | | 2565 |
| Gross vehicle weight / gross combination weight | | 3500 / 7000 |
| Axle loads* | Front / rear | 1950 / 2500 |
| | Braked / unbraked | 3500 / 750 |
| Chassis load bearing capacity* | | 1185 |

CALCULATED OUTPUT

| | | |
|----------------------------|--------------|------|
| Maximum speed | km/h | 139 |
| Minimum turning circle (m) | Kerb to kerb | 11.2 |
| | Wall to wall | 12.6 |

* The weight refers to the base vehicle (European series, including coolant, oil, 90% fuel, tyre sealant, tools and driver with 75 kg) without optional equipment. If any optional equipment is added, the weight changes accordingly. ** Calculated maximum value which should be checked depending on the body and application. Subject to change without notice. All data is approximate. The illustrations may contain accessories and items of optional equipment which are not part of the standard specification. The data sheet may contain product types and support services not available in certain countries.



CANTER 3C15D DUONIC® 2.0 RHD

4P10 – 110 kW (150 PS)
 400 Nm@1600 rpm
 110 kW@2626 rpm

ENGINE (EURO VI)

| | | | |
|----------------------------|--|-------------------|------------------------------------|
| Type | Water-cooled four-stroke diesel engine with turbocharger, intercooler and direct injection | | |
| No. of cylinders | 4/in-line | | |
| Capacity | 2998 cm ³ | | |
| Peak output | 110 kW (150 hp) / 2626 rpm | | |
| Rated torque | 400 Nm / 1600 rpm | | |
| Diesel particulate filter | Service life approx. 300,000 km | | |
| Alternator | Alternating current 12 V, 140 A | | |
| Exhaust gas aftertreatment | DPF + SCR | | |
| PTO (optional) | Type | 31 kW with flange | 31 kW for directly connected pumps |
| | Torque at peak output [Nm]: | 196 Nm | |
| | Gear ratios | 1:0.655 | 1:0.651 |
| | Engine speed at peak output | 1500 rpm | |

POWERTRAIN

| | | |
|----------------------|------------|---|
| Transmission | Model | DUONIC® 2.0: Automated transmission with dual clutch, 6 forward speeds and 1 reverse gear |
| | Gear ratio | 5.397 - 3.788 - 2.310 - 1.474 - 1.000 - 0.701 - reverse 5.397 |
| Rear axle gear ratio | Ratio | 4.444 |

CHASSIS

| | | |
|-------------------------------|----------------------------------|---|
| Front axle / rear axle | Model | F100T / R015T |
| | Load-bearing capacity front/rear | 1950 kg / 2500 kg |
| Tyres | | 195/75R16C 107/105 R |
| | | Twin tyres at rear |
| Wheel | | 16 x 5 JK - 110 |
| Steering | | RHD |
| | | Rack-and-pinion steering with power assist, tilting telescopic steering column with steering-wheel lock |
| Brake | Service brake | Hydraulic with vacuum power assist, dual-circuit with load-dependent brake proportioning valve at rear wheels |
| | Front / rear | Disc brake (217 x 24) |
| | Parking brake | Mechanical expanding brake on drive shaft at rear of transmission |
| | Auxiliary brake | Exhaust brake (50 kW) |
| Suspension | Front / rear | Independent wheel suspension (coil spring) with shock absorber / semi-elliptic leaf spring with shock absorber and stabiliser |
| Frame | Type | Ladder-type frame with reinforcements and crossmembers |
| Fuel tank capacity | | 70 litres |
| Electrical system – batteries | | 12 V (100 AH - 760 A(EN)) |