

CANTER 3S13

LEFT-HAND DRIVE

MODEL / VEHICLE TYPE 3S13

Cab type / crew	Standard, single cab / 3		
Model variant	46900211	46900311	46900511
FUSO model code	FEA01BL4SEUW	FEA01CL4SEUW	FEA01EL4SEUW

DIMENSIONS (MM)

Wheelbase	2500	2800	3400
Overall length	4640	4990	5790
Cab length		1510	
Width overall		1798	
Cab width		1695	
Height overall		2105	
Track width	Front / rear	1405 / 1255	
Frame height (at end of frame)		725	
Ground clearance		165	
Cab to rear axle	1975	2275	2875
Cab to end of frame	3120	3470	4270
Maximum body length**	3500	3995	4985
Frame width		700	
Front overhang		995	
Rear overhang	1145	1195	1395
Front axle to front of body		625	
Recommended distance cab to body		100	

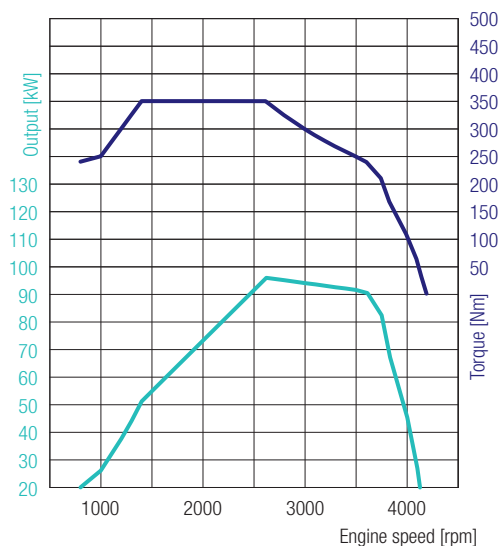
WEIGHTS (KG)

Empty weight*		1940	1950	1980
	Front* / rear*	1420 / 520	1440 / 510	1445 / 535
Minimum vehicle weight		2355		
Gross vehicle weight / gross combination weight		3500 / 7000		
Axle loads*	Front / rear	1950 / 2500		
	Towed weight	Braked / unbraked	3500 / 750	
Chassis load bearing capacity*		1560	1550	1520

CALCULATED OUTPUT

Maximum speed	km/h	140		
Minimum turning circle (m)	Kerb to kerb	9.0	10.0	11.8
	Wall to wall	10.2	11.2	13.0

* The weight refers to the base vehicle (European series, including coolant, oil, 90% fuel, tyre sealant, tools and driver with 75 kg) without optional equipment. If any optional equipment is added, the weight changes accordingly. ** Calculated maximum value which should be checked depending on the body and application. Subject to change without notice. All data is approximate. The illustrations may contain accessories and items of optional equipment which are not part of the standard specification. The data sheet may contain product types and support services not available in certain countries.


4P10 – 96 kW (130 PS)

350 Nm@1400 rpm

96 kW@2620 rpm

CANTER 3S13

LHD

ENGINE (EURO VI)

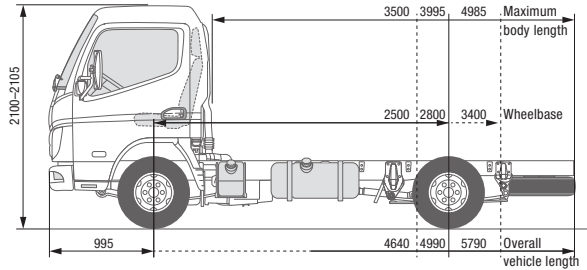
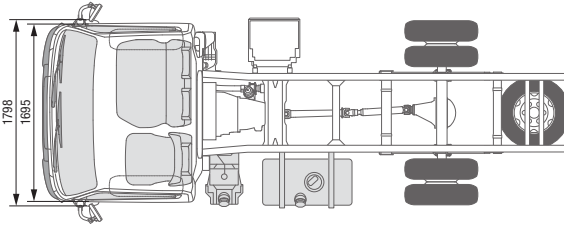
Type	Water-cooled four-stroke diesel engine with turbocharger, intercooler and direct injection		
No. of cylinders	4/in-line		
Capacity	2998 cm ³		
Peak output	96 kW (130 hp) / 2620 rpm		
Rated torque	350 Nm / 1400 rpm		
Diesel particulate filter	Service life approx. 300,000 km		
Alternator	Alternating current 12 V, 140 A		
Exhaust gas aftertreatment	DPF + SCR		
PTO (optional)	Type	31 kW with flange	31 kW for directly connected pumps
	Torque at peak output [Nm]:	196 Nm	
	Gear ratios	1:0.655	1:0.651
	Engine speed at peak output	1500 rpm	

POWERTRAIN

Transmission	Model	Manual gearbox, 5 forward gears, 1 reverse gear
	Gear ratio	5.494 - 3.193 - 1.689 - 1.000 - 0.723 - reverse 5.494
Rear axle gear ratio	Ratio	4.111

CHASSIS

Front axle / rear axle	Model	F100T / R015T
	Load-bearing capacity front/rear	1950 kg / 2500 kg
Tyres		195/75R16C 107/105 R
		Twin tyres at rear
Wheel		16 x 5 JK - 110
Steering		LHD
		Rack-and-pinion steering with power assist, tilting telescopic steering column with steering-wheel lock
Brake	Service brake	Hydraulic with vacuum power assist, dual-circuit with load-dependent brake proportioning valve at rear wheels
	Front / rear	Disc brake (217 x 24)
	Parking brake	Mechanical expanding brake on drive shaft at rear of transmission
	Auxiliary brake	Exhaust brake (50 kW)
Suspension	Front / rear	Independent wheel suspension (coil spring) with shock absorber / semi-elliptic leaf spring with shock absorber
Frame	Type	Ladder-type frame with reinforcements and crossmembers
Fuel tank capacity		70 litres
Electrical system – batteries		12 V (100 AH - 760 A(EN))



CANTER 3S13 DUONIC® 2.0 LHD

MODEL / VEHICLE TYPE 3S13

Cab type / crew	Standard, single cab / 3		
Model variant	46901211	46901311	46901511
FUSO model code	FEA01BL3SEUW	FEA01CL3SEUW	FEA01EL3SEUW

DIMENSIONS (MM)

Wheelbase		2500	2800	3400
Overall length		4640	4990	5790
Cab length			1510	
Width overall			1798	
Cab width			1695	
Height overall		2100		2105
Track width	Front / rear		1405 / 1255	
Frame height (at end of frame)		715		710
Ground clearance			165	
Cab to rear axle		1975	2275	2875
Cab to end of frame		3120	3470	4270
Maximum body length**		3500	3995	4985
Frame width			700	
Front overhang			995	
Rear overhang		1145	1195	1395
Front axle to front of body			625	
Recommended distance cab to body			100	

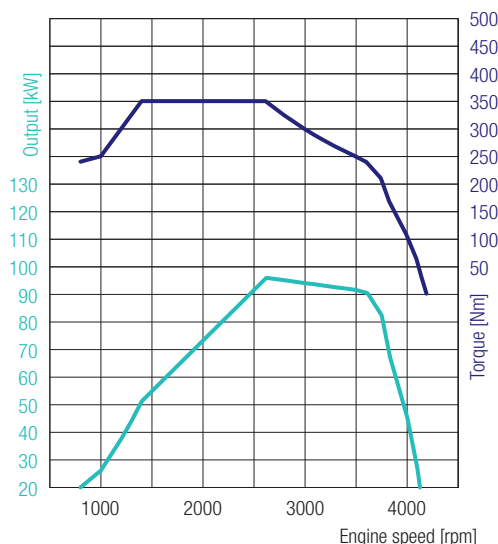
WEIGHTS (KG)

Empty weight*		1960	1970	1990
	Front* / rear*	1440 / 520	1455 / 515	1455 / 535
Minimum vehicle weight		2180		2205
Gross vehicle weight / gross combination weight			3500 / 7000	
Axle loads*	Front / rear		1950 / 2500	
	Towed weight	Braked / unbraked	3500 / 750	
Chassis load bearing capacity*		1540	1530	1510

CALCULATED OUTPUT

Maximum speed	km/h		140	
Minimum turning circle (m)	Kerb to kerb	9.0	10.0	11.8
	Wall to wall	10.2	11.2	13.0

* The weight refers to the base vehicle (European series, including coolant, oil, 90% fuel, tyre sealant, tools and driver with 75 kg) without optional equipment. If any optional equipment is added, the weight changes accordingly. ** Calculated maximum value which should be checked depending on the body and application. Subject to change without notice. All data is approximate. The illustrations may contain accessories and items of optional equipment which are not part of the standard specification. The data sheet may contain product types and support services not available in certain countries.



CANTER 3S13 DUONIC® 2.0 LHD

4P10 – 96 kW (130 PS)
 350 Nm@1400 rpm
 96 kW@2620 rpm

ENGINE (EURO VI)

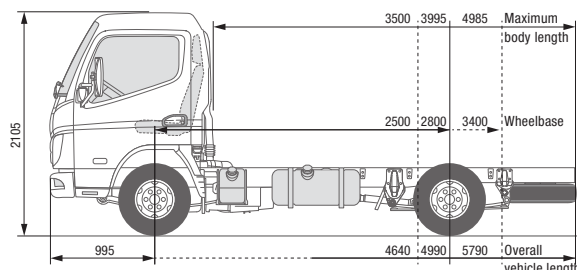
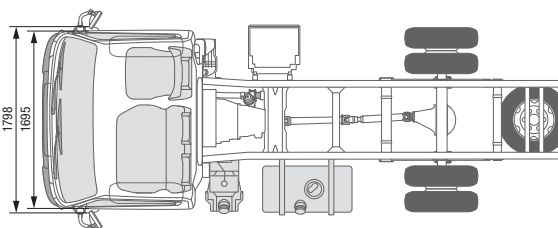
Type	Water-cooled four-stroke diesel engine with turbocharger, intercooler and direct injection		
No. of cylinders	4/in-line		
Capacity	2998 cm ³		
Peak output	96 kW (130 hp) / 2620 rpm		
Rated torque	350 Nm / 1400 rpm		
Diesel particulate filter	Service life approx. 300,000 km		
Alternator	Alternating current 12 V, 140 A		
Exhaust gas aftertreatment	DPF + SCR		
PTO (optional)	Type	31 kW with flange	31 kW for directly connected pumps
	Torque at peak output [Nm]:	196 Nm	
	Gear ratios	1:0.655	1:0.651
	Engine speed at peak output	1500 rpm	

POWERTRAIN

Transmission	Model	DUONIC® 2.0: Automated transmission with dual clutch, 6 forward speeds and 1 reverse gear
	Gear ratio	5.397 - 3.788 - 2.310 - 1.474 - 1.000 - 0.701 - reverse 5.397
Rear axle gear ratio	Ratio	4.111

CHASSIS

Front axle / rear axle	Model	F100T / R015T
	Load-bearing capacity front/rear	1950 kg / 2500 kg
Tyres		195/75R16C 107/105 R
		Twin tyres at rear
Wheel		16 x 5 JK - 110
Steering		LHD
		Rack-and-pinion steering with power assist, tilting telescopic steering column with steering-wheel lock
Brake	Service brake	Hydraulic with vacuum power assist, dual-circuit with load-dependent brake proportioning valve at rear wheels
	Front / rear	Disc brake (217 x 24)
	Parking brake	Mechanical expanding brake on drive shaft at rear of transmission
	Auxiliary brake	Exhaust brake (50 kW)
Suspension	Front / rear	Independent wheel suspension (coil spring) with shock absorber / semi-elliptic leaf spring with shock absorber
Frame	Type	Ladder-type frame with reinforcements and crossmembers
Fuel tank capacity		70 litres
Electrical system – batteries		12 V (100 AH - 760 A(EN))



CANTER 3S13

RIGHT-HAND DRIVE

MODEL / VEHICLE TYPE 3S13

Cab type / crew	Standard, single cab / 3		
Model variant	46900221	46900321	46900521
FUSO model code	FEA01BR4SEUW	FEA01CR4SEUW	FEA01ER4SEUW

DIMENSIONS (MM)

Wheelbase	2500	2800	3400
Overall length	4640	4990	5790
Cab length		1510	
Width overall		1798	
Cab width		1695	
Height overall		2105	
Track width	Front / rear	1405 / 1255	
Frame height (at end of frame)		715	
Ground clearance		165	
Cab to rear axle	1975	2275	2875
Cab to end of frame	3120	3470	4270
Maximum body length**	3500	3995	4985
Frame width		700	
Front overhang		995	
Rear overhang	1145	1195	1395
Front axle to front of body		625	
Recommended distance cab to body		100	

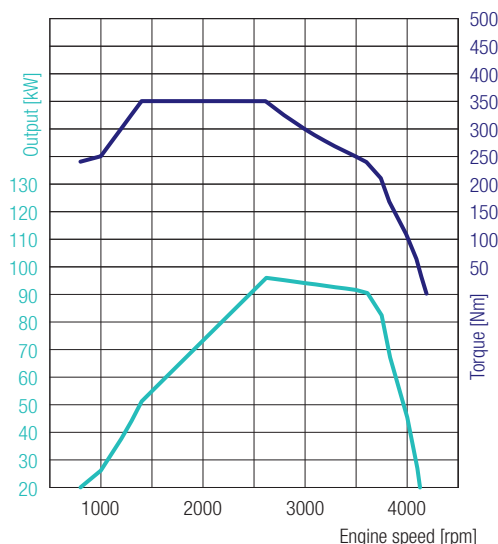
WEIGHTS (KG)

Empty weight*		1940	1950	1980
	Front* / rear*	1420 / 520	1440 / 510	1445 / 535
Minimum vehicle weight		2355		
Gross vehicle weight / gross combination weight		3500 / 7000		
Axle loads*	Front / rear	1950 / 2500		
	Towed weight	Braked / unbraked	3500 / 750	
Chassis load bearing capacity*		1560	1550	1520

CALCULATED OUTPUT

Maximum speed	km/h	140		
Minimum turning circle (m)	Kerb to kerb	9.0	10.0	9.0
	Wall to wall	10.2	11.2	10.2

* The weight refers to the base vehicle (European series, including coolant, oil, 90% fuel, tyre sealant, tools and driver with 75 kg) without optional equipment. If any optional equipment is added, the weight changes accordingly. ** Calculated maximum value which should be checked depending on the body and application. Subject to change without notice. All data is approximate. The illustrations may contain accessories and items of optional equipment which are not part of the standard specification. The data sheet may contain product types and support services not available in certain countries.



4P10 – 96 kW (130 PS)
 350 Nm@1400 rpm
 96 kW@2620 rpm

CANTER 3S13 RHD

ENGINE (EURO VI)

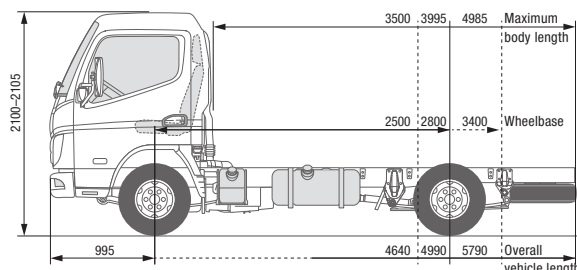
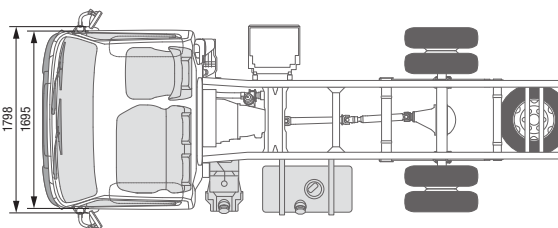
Type	Water-cooled four-stroke diesel engine with turbocharger, intercooler and direct injection		
No. of cylinders	4/in-line		
Capacity	2998 cm ³		
Peak output	96 kW (130 hp) / 2620 rpm		
Rated torque	350 Nm / 1400 rpm		
Diesel particulate filter	Service life approx. 300,000 km		
Alternator	Alternating current 12 V, 140 A		
Exhaust gas aftertreatment	DPF + SCR		
PTO (optional)	Type	31 kW with flange	31 kW for directly connected pumps
	Torque at peak output [Nm]:	196 Nm	
	Gear ratios	1:0.655	1:0.651
	Engine speed at peak output	1500 rpm	

POWERTRAIN

Transmission	Model	Manual gearbox, 5 forward gears, 1 reverse gear
	Gear ratio	5.494 - 3.193 - 1.689 - 1.000 - 0.723 - reverse 5.494
Rear axle gear ratio	Ratio	4.111

CHASSIS

Front axle / rear axle	Model	F100T / R015T
	Load-bearing capacity front/rear	1950 kg / 2500 kg
Tyres		195/75R16C 107/105 R
		Twin tyres at rear
Wheel		16 x 5 JK - 110
Steering		RHD
		Rack-and-pinion steering with power assist, tilting telescopic steering column with steering-wheel lock
Brake	Service brake	Hydraulic with vacuum power assist, dual-circuit with load-dependent brake proportioning valve at rear wheels
	Front / rear	Disc brake (217 x 24)
	Parking brake	Mechanical expanding brake on drive shaft at rear of transmission
	Auxiliary brake	Exhaust brake (50 kW)
Suspension	Front / rear	Independent wheel suspension (coil spring) with shock absorber / semi-elliptic leaf spring with shock absorber
Frame	Type	Ladder-type frame with reinforcements and crossmembers
Fuel tank capacity		70 litres
Electrical system – batteries		12 V (100 AH - 760 A(EN))



CANTER 3S13 DUONIC® 2.0 RHD

MODEL / VEHICLE TYPE 3S13

Cab type / crew	Standard, single cab / 3		
Model variant	46901221	46901321	46901521
FUSO model code	FEA01BR3SEUW	FEA01CR3SEUW	FEA01ER3SEUW

DIMENSIONS (MM)

Wheelbase	2500	2800	3400
Overall length	4640	4990	5790
Cab length		1510	
Width overall		1798	
Cab width		1695	
Height overall		2100	2105
Track width	Front / rear	1405 / 1255	
Frame height (at end of frame)		720	
Ground clearance		165	
Cab to rear axle		1975	2875
Cab to end of frame		3120	4270
Maximum body length**		3500	4985
Frame width		700	
Front overhang		995	
Rear overhang		1145	1395
Front axle to front of body		625	
Recommended distance cab to body		100	

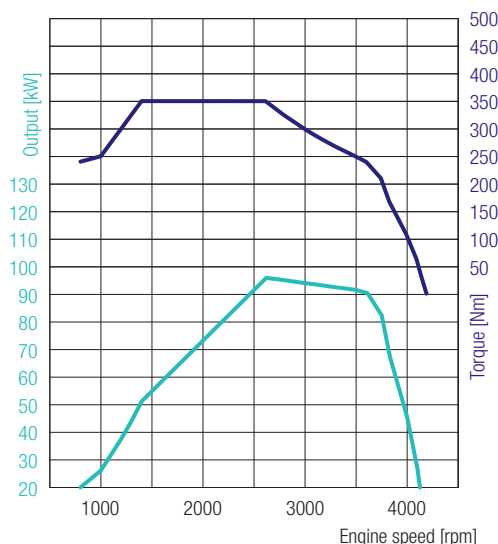
WEIGHTS (KG)

Empty weight*		1960	1970	1990
	Front* / rear*	1440 / 520	1455 / 515	1455 / 535
Minimum vehicle weight		2180	2205	
Gross vehicle weight / gross combination weight		3500 / 7000		
Axle loads*	Front / rear	1950 / 2500		
Towed weight	Braked / unbraked	3500 / 750		
Chassis load bearing capacity*		1540	1530	1510

CALCULATED OUTPUT

Maximum speed	km/h	140		
Minimum turning circle (m)	Kerb to kerb	9.0	10.0	11.8
	Wall to wall	10.2	11.2	13.0

* The weight refers to the base vehicle (European series, including coolant, oil, 90% fuel, tyre sealant, tools and driver with 75 kg) without optional equipment. If any optional equipment is added, the weight changes accordingly. ** Calculated maximum value which should be checked depending on the body and application. Subject to change without notice. All data is approximate. The illustrations may contain accessories and items of optional equipment which are not part of the standard specification. The data sheet may contain product types and support services not available in certain countries.



CANTER 3S13 DUONIC® 2.0 RHD

4P10 – 96 kW (130 PS)
 350 Nm@1400 rpm
 96 kW@2620 rpm

ENGINE (EURO VI)

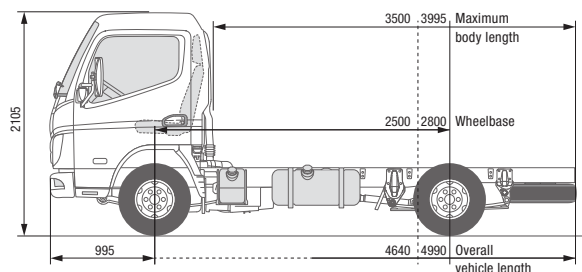
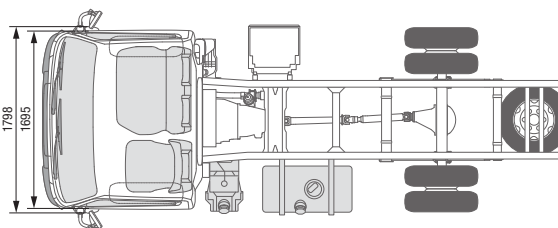
Type	Water-cooled four-stroke diesel engine with turbocharger, intercooler and direct injection		
No. of cylinders	4/in-line		
Capacity	2998 cm ³		
Peak output	96 kW (130 hp) / 2620 rpm		
Rated torque	350 Nm / 1400 rpm		
Diesel particulate filter	Service life approx. 300,000 km		
Alternator	Alternating current 12 V, 140 A		
Exhaust gas aftertreatment	DPF + SCR		
PTO (optional)	Type	31 kW with flange	31 kW for directly connected pumps
	Torque at peak output [Nm]:	196 Nm	
	Gear ratios	1:0.655	1:0.651
	Engine speed at peak output	1500 rpm	

POWERTRAIN

Transmission	Model	DUONIC® 2.0: Automated transmission with dual clutch, 6 forward speeds and 1 reverse gear
	Gear ratio	5.397 - 3.788 - 2.310 - 1.474 - 1.000 - 0.701 - reverse 5.397
Rear axle gear ratio	Ratio	4.111

CHASSIS

Front axle / rear axle	Model	F100T / R015T
	Load-bearing capacity front/rear	1950 kg / 2500 kg
Tyres		195/75R16C 107/105 R
		Twin tyres at rear
Wheel		16 x 5 JK - 110
Steering		RHD
		Rack-and-pinion steering with power assist, tilting telescopic steering column with steering-wheel lock
Brake	Service brake	Hydraulic with vacuum power assist, dual-circuit with load-dependent brake proportioning valve at rear wheels
	Front / rear	Disc brake (217 x 24)
	Parking brake	Mechanical expanding brake on drive shaft at rear of transmission
	Auxiliary brake	Exhaust brake (50 kW)
Suspension	Front / rear	Independent wheel suspension (coil spring) with shock absorber / semi-elliptic leaf spring with shock absorber
Frame	Type	Ladder-type frame with reinforcements and crossmembers
Fuel tank capacity		70 litres
Electrical system – batteries		12 V (100 AH - 760 A(EN))



CANTER 3S15 LHD

MODEL / VEHICLE TYPE 3S15

Cab type / crew	Standard, single cab / 3	
Model variant	46902211	46902311
FUSO model code	FEA01BL4SEUX	FEA01CL4SEUX

DIMENSIONS (MM)

Wheelbase	2500	2800
Overall length	4640	4990
Cab length		1510
Width overall		1798
Cab width		1695
Height overall		2105
Track width	Front / rear	1405 / 1255
Frame height (at end of frame)		725
Ground clearance		165
Cab to rear axle	1975	2275
Cab to end of frame	3120	3470
Maximum body length**	3500	3995
Frame width		700
Front overhang		995
Rear overhang	1145	1195
Front axle to front of body		625
Recommended distance cab to body		100

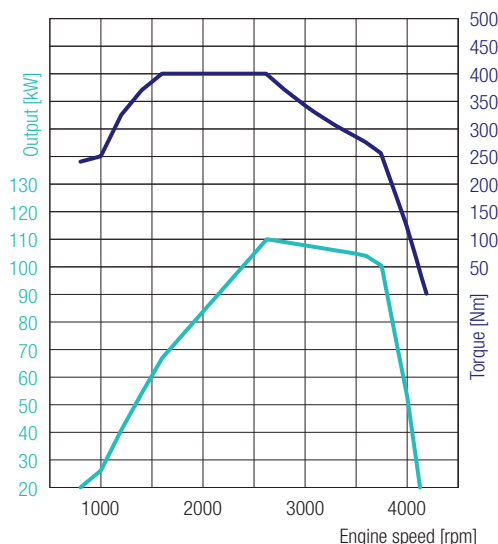
WEIGHTS (KG)

Empty weight*		1940	1950
	Front* / rear*	1420 / 520	1440 / 510
Minimum vehicle weight		2150	2180
Gross vehicle weight / gross combination weight			3500 / 7000
Axle loads*	Front / rear		1950 / 2500
Towed weight	Braked / unbraked		3500 / 750
Chassis load bearing capacity*		1560	1550

CALCULATED OUTPUT

Maximum speed	km/h	145
Minimum turning circle (m)	Kerb to kerb	9.0
	Wall to wall	10.2

* The weight refers to the base vehicle (European series, including coolant, oil, 90% fuel, tyre sealant, tools and driver with 75 kg) without optional equipment. If any optional equipment is added, the weight changes accordingly. ** Calculated maximum value which should be checked depending on the body and application.
Subject to change without notice. All data is approximate. The illustrations may contain accessories and items of optional equipment which are not part of the standard specification. The data sheet may contain product types and support services not available in certain countries.



4P10 – 110 kW (150 PS)
 400 Nm@1600 rpm
 110 kW@2626 rpm

CANTER 3S15 LHD

ENGINE (EURO VI)

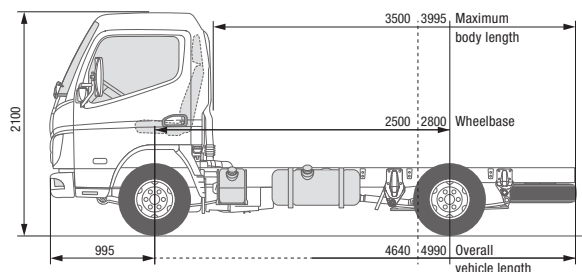
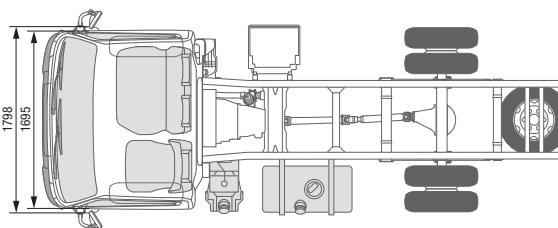
Type	Water-cooled four-stroke diesel engine with turbocharger, intercooler and direct injection		
No. of cylinders	4/in-line		
Capacity	2998 cm ³		
Peak output	110 kW (150 hp) / 2626 rpm		
Rated torque	400 Nm / 1600 rpm		
Diesel particulate filter	Service life approx. 300,000 km		
Alternator	Alternating current 12 V, 140 A		
Exhaust gas aftertreatment	DPF + SCR		
PTO (optional)	Type	31 kW with flange	31 kW for directly connected pumps
	Torque at peak output [Nm]:	196 Nm	
	Gear ratios	1:0.644	1:0.638
	Engine speed at peak output	1500 rpm	

POWERTRAIN

Transmission	Model	Manual gearbox, 5 forward gears, 1 reverse gear
	Gear ratio	5.494 - 3.193 - 1.689 - 1.000 - 0.723 - reverse 5.494
Rear axle gear ratio	Ratio	4.111

CHASSIS

Front axle / rear axle	Model	F100T / R015T
	Load-bearing capacity front/rear	1950 kg / 2500 kg
Tyres		195/75R16C 107/105 R
		Twin tyres at rear
Wheel		16 x 5 JK - 110
Steering		LHD
		Rack-and-pinion steering with power assist, tilting telescopic steering column with steering-wheel lock
Brake	Service brake	Hydraulic with vacuum power assist, dual-circuit with load-dependent brake proportioning valve at rear wheels
	Front / rear	Disc brake (217 x 24)
	Parking brake	Mechanical expanding brake on drive shaft at rear of transmission
	Auxiliary brake	Exhaust brake (50 kW)
Suspension	Front / rear	Independent wheel suspension (coil spring) with shock absorber / semi-elliptic leaf spring with shock absorber
Frame	Type	Ladder-type frame with reinforcements and crossmembers
Fuel tank capacity		70 litres
Electrical system – batteries		12 V (100 AH - 760 A(EN))



CANTER 3S15 DUONIC® 2.0 LHD

MODEL / VEHICLE TYPE 3S15

Cab type / crew	Standard, single cab / 3	
Model variant	46903211	46903311
FUSO model code	FEA01BL3SEUX	FEA01CL3SEUX

DIMENSIONS (MM)

Wheelbase	2500	2800
Overall length	4640	4990
Cab length		1510
Width overall		1798
Cab width		1695
Height overall		2100
Track width	Front / rear	1405 / 1255
Frame height (at end of frame)	730	725
Ground clearance		165
Cab to rear axle	1975	2275
Cab to end of frame	3120	3470
Maximum body length**	3500	3995
Frame width		700
Front overhang		995
Rear overhang	1145	1195
Front axle to front of body		625
Recommended distance cab to body		100

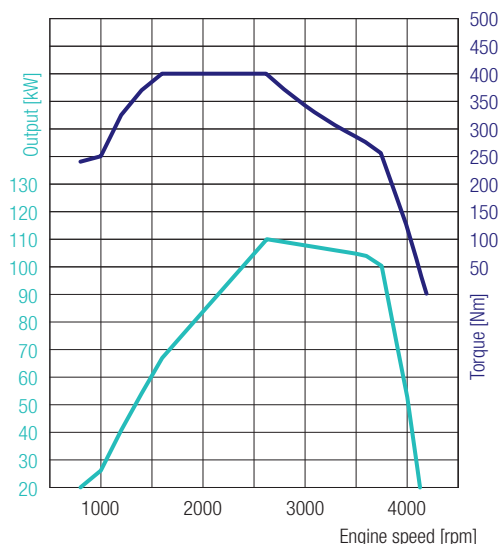
WEIGHTS (KG)

Empty weight*		1960	1970
	Front* / rear*	1440 / 520	1455 / 515
Minimum vehicle weight		2180	2205
Gross vehicle weight / gross combination weight			3500 / 7000
Axle loads*	Front / rear		1950 / 2500
	Braked / unbraked		3500 / 750
Chassis load bearing capacity*		1540	1530

CALCULATED OUTPUT

Maximum speed	km/h	145
Minimum turning circle (m)	Kerb to kerb	9.0
	Wall to wall	10.2

* The weight refers to the base vehicle (European series, including coolant, oil, 90% fuel, tyre sealant, tools and driver with 75 kg) without optional equipment. If any optional equipment is added, the weight changes accordingly. ** Calculated maximum value which should be checked depending on the body and application. Subject to change without notice. All data is approximate. The illustrations may contain accessories and items of optional equipment which are not part of the standard specification. The data sheet may contain product types and support services not available in certain countries.



4P10 – 110 kW (150 PS)
 400 Nm@1600 rpm
 110 kW@2626 rpm

CANTER 3S15 DUONIC® 2.0 LHD

ENGINE (EURO VI)

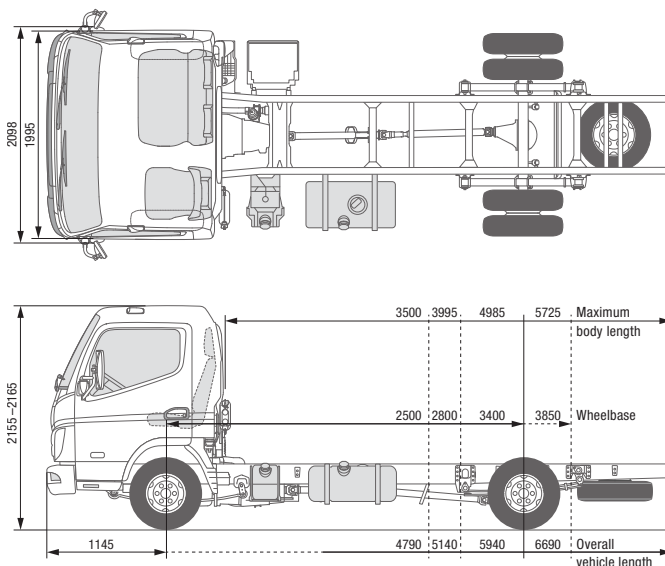
Type	Water-cooled four-stroke diesel engine with turbocharger, intercooler and direct injection		
No. of cylinders	4/in-line		
Capacity	2998 cm ³		
Peak output	110 kW (150 hp) / 2626 rpm		
Rated torque	400 Nm / 1600 rpm		
Diesel particulate filter	Service life approx. 300,000 km		
Alternator	Alternating current 12 V, 140 A		
Exhaust gas aftertreatment	DPF + SCR		
PTO (optional)	Type	31 kW with flange	31 kW for directly connected pumps
	Torque at peak output [Nm]:	196 Nm	
	Gear ratios	1:0.655	1:0.651
	Engine speed at peak output	1500 rpm	

POWERTRAIN

Transmission	Model	DUONIC® 2.0: Automated transmission with dual clutch, 6 forward speeds and 1 reverse gear
	Gear ratio	5.397 - 3.788 - 2.310 - 1.474 - 1.000 - 0.701 - reverse 5.397
Rear axle gear ratio	Ratio	4.111

CHASSIS

Front axle / rear axle	Model	F100T / R015T
	Load-bearing capacity front/rear	1950 kg / 2500 kg
Tyres		195/75R16C 107/105 R
		Twin tyres at rear
Wheel		16 x 5 JK - 110
Steering		LHD
		Rack-and-pinion steering with power assist, tilting telescopic steering column with steering-wheel lock
Brake	Service brake	Hydraulic with vacuum power assist, dual-circuit with load-dependent brake proportioning valve at rear wheels
	Front / rear	Disc brake (217 x 24)
	Parking brake	Mechanical expanding brake on drive shaft at rear of transmission
	Auxiliary brake	Exhaust brake (50 kW)
Suspension	Front / rear	Independent wheel suspension (coil spring) with shock absorber / semi-elliptic leaf spring with shock absorber
Frame	Type	Ladder-type frame with reinforcements and crossmembers
Fuel tank capacity		70 litres
Electrical system – batteries		12 V (100 AH - 760 A(EN))



CANTER 3C13

LHD

MODEL / VEHICLE TYPE	3C13			
----------------------	------	--	--	--

Cab type / crew	Comfort, single cab / 3			
Model variant	46904211	46904311	46904511	46904711
FUSO model code	FEB01BL4SEUW	FEB01CL4SEUW	FEB01EL4SEUW	FEB01GL4SEUW

DIMENSIONS (MM)				
-----------------	--	--	--	--

Wheelbase		2500	2800	3400	3850
Overall length		4790	5140	5940	6690
Cab length		1625			
Width overall		2098			
Cab width		1995			
Height overall		2165	2160	2160	2155
Track width	Front / rear	1665 / 1500			
Frame height (at end of frame)		740		765	
Ground clearance		165			
Cab to rear axle		1975	2275	2875	3325
Cab to end of frame		3120	3470	4270	5020
Maximum body length**		3500	3995	4985	5725
Frame width		750			
Front overhang		1145			
Rear overhang		1145	1195	1395	1695
Front axle to front of body		625			
Recommended distance cab to body		100			

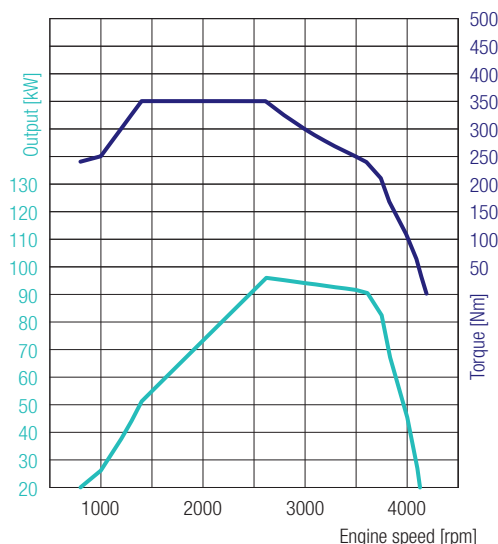
WEIGHTS (KG)				
--------------	--	--	--	--

Empty weight*		2040	2050	2070	2090
	Front* / rear*	1510 / 530	1525 / 525	1530 / 540	1550 / 540
Minimum vehicle weight		2290	2310	2315	2345
Gross vehicle weight / gross combination weight		3500 / 7000			
Axle loads*	Front / rear	1950 / 2500			
Towed weight	Braked / unbraked	3500 / 750			
Chassis load bearing capacity*		1460	1450	1430	1410

CALCULATED OUTPUT				
-------------------	--	--	--	--

Maximum speed	km/h	132			
Minimum turning circle (m)	Kerb to kerb	8.6	9.4	11.2	12.4
	Wall to wall	10.0	11.0	12.6	14.0

* The weight refers to the base vehicle (European series, including coolant, oil, 90% fuel, tyre sealant, tools and driver with 75 kg) without optional equipment. If any optional equipment is added, the weight changes accordingly. ** Calculated maximum value which should be checked depending on the body and application.
 Subject to change without notice. All data is approximate. The illustrations may contain accessories and items of optional equipment which are not part of the standard specification. The data sheet may contain product types and support services not available in certain countries.



CANTER 3C13 LHD

4P10 – 96 kW (130 PS)

350 Nm@1400 rpm

96 kW@2620 rpm

ENGINE (EURO VI)

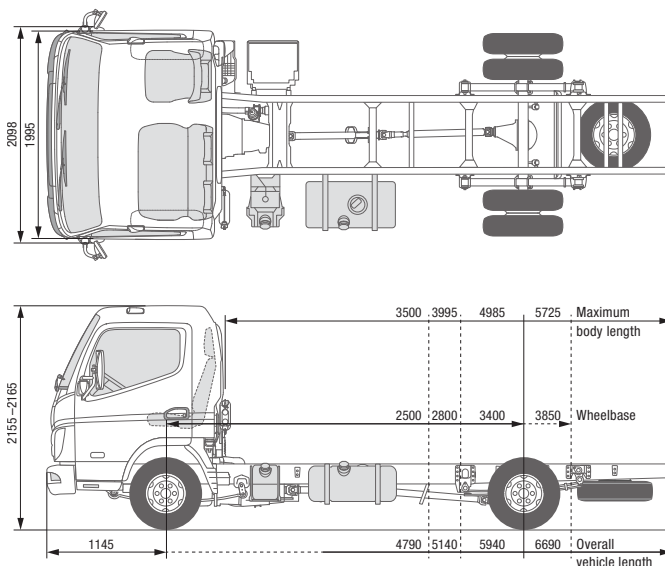
Type	Water-cooled four-stroke diesel engine with turbocharger, intercooler and direct injection		
No. of cylinders	4/in-line		
Capacity	2998 cm ³		
Peak output	96 kW (130 hp) / 2620 rpm		
Rated torque	350 Nm / 1400 rpm		
Diesel particulate filter	Service life approx. 300,000 km		
Alternator	Alternating current 12 V, 140 A		
Exhaust gas aftertreatment	DPF + SCR		
PTO (optional)	Type	31 kW with flange	31 kW for directly connected pumps
	Torque at peak output [Nm]:	196 Nm	
	Gear ratios	1:0.644	1:0.638
	Engine speed at peak output	1500 rpm	

POWERTRAIN

Transmission	Model	Manual gearbox, 5 forward gears, 1 reverse gear
	Gear ratio	5.494 - 3.193 - 1.689 - 1.000 - 0.723 - reverse 5.494
Rear axle gear ratio	Ratio	4.111

CHASSIS

Front axle / rear axle	Model	F100T / R015T
	Load-bearing capacity front/rear	1950 kg / 2500 kg
Tyres		195/75R16C 107/105 R
		Twin tyres at rear
Wheel		16 x 5 JK - 110
Steering		LHD
		Rack-and-pinion steering with power assist, tilting telescopic steering column with steering-wheel lock
Brake	Service brake	Hydraulic with vacuum power assist, dual-circuit with load-dependent brake proportioning valve at rear wheels
	Front / rear	Disc brake (217 x 24)
	Parking brake	Mechanical expanding brake on drive shaft at rear of transmission
	Auxiliary brake	Exhaust brake (50 kW)
Suspension	Front / rear	Independent wheel suspension (coil spring) with shock absorber/ semi-elliptic leaf spring with shock absorber and stabiliser
Frame	Type	Ladder-type frame with reinforcements and crossmembers
Fuel tank capacity		70 litres
Electrical system – batteries		12 V (100 AH - 760 A(EN))



CANTER 3C13 RHD

MODEL / VEHICLE TYPE 3C13

Cab type / crew	Comfort, single cab / 3			
Model variant	46904221	46904321	46904521	46904721
FUSO model code	FEB01BR4SEUW	FEB01CR4SEUW	FEB01ER4SEUW	FEB01GR4SEUW

DIMENSIONS (MM)

Wheelbase	2500	2800	3400	3850
Overall length	4790	5140	5940	6690
Cab length	1625			
Width overall	2098			
Cab width	1995			
Height overall	2165	2160	2160	2155
Track width	Front / rear		1665 / 1500	
Frame height (at end of frame)	750			
Ground clearance	165			
Cab to rear axle	1975	2275	2875	3325
Cab to end of frame	3120	3470	4270	5020
Maximum body length**	3500	3995	4985	5725
Frame width	750			
Front overhang	1145			
Rear overhang	1145	1195	1395	1695
Front axle to front of body	625			
Recommended distance cab to body	100			

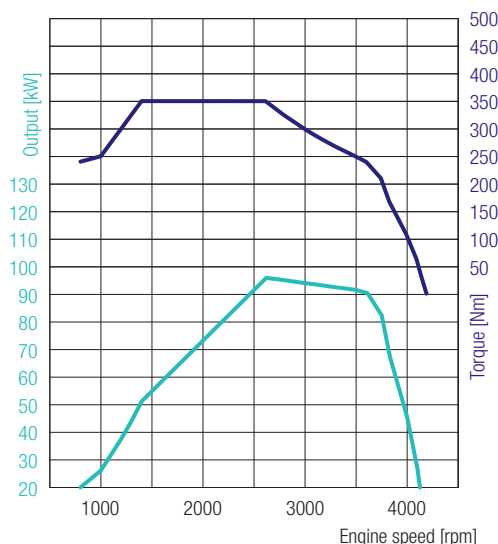
WEIGHTS (KG)

Empty weight*	2040	2050	2070	2090
	Front* / rear*		1510 / 530	
Minimum vehicle weight	2290	2310	2315	2345
Gross vehicle weight / gross combination weight	3500 / 7000			
Axle loads*	Front / rear		1950 / 2500	
Towed weight	Braked / unbraked		3500 / 750	
Chassis load bearing capacity*	1460	1450	1430	1410

CALCULATED OUTPUT

Maximum speed	km/h	132			
Minimum turning circle (m)	Kerb to kerb	8.6	9.4	11.2	12.4
	Wall to wall	10.0	11.0	12.6	14.0

* The weight refers to the base vehicle (European series, including coolant, oil, 90% fuel, tyre sealant, tools and driver with 75 kg) without optional equipment. If any optional equipment is added, the weight changes accordingly. ** Calculated maximum value which should be checked depending on the body and application. Subject to change without notice. All data is approximate. The illustrations may contain accessories and items of optional equipment which are not part of the standard specification. The data sheet may contain product types and support services not available in certain countries.


4P10 – 96 kW (130 PS)

350 Nm@1400 rpm

96 kW@2620 rpm

CANTER 3C13

RHD

ENGINE (EURO VI)

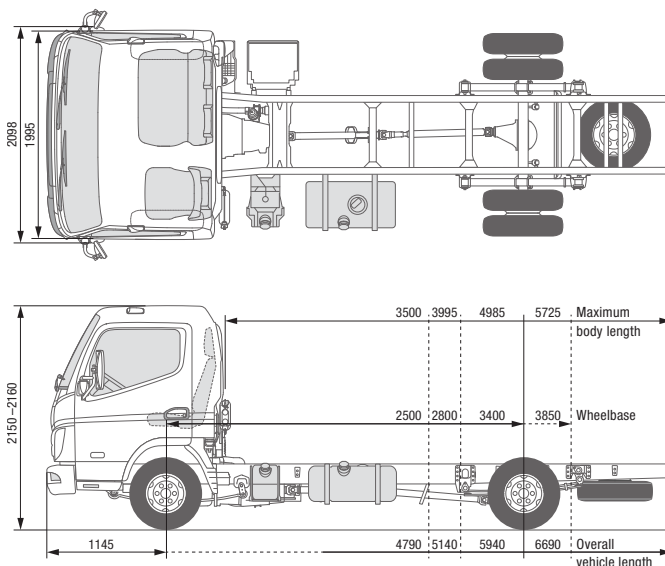
Type	Water-cooled four-stroke diesel engine with turbocharger, intercooler and direct injection		
No. of cylinders	4/in-line		
Capacity	2998 cm ³		
Peak output	96 kW (130 hp) / 2620 rpm		
Rated torque	350 Nm / 1400 rpm		
Diesel particulate filter	Service life approx. 300,000 km		
Alternator	Alternating current 12 V, 140 A		
Exhaust gas aftertreatment	DPF + SCR		
PTO (optional)	Type	31 kW with flange	31 kW for directly connected pumps
	Torque at peak output [Nm]:	196 Nm	
	Gear ratios	1:0.644	1:0.638
	Engine speed at peak output	1500 rpm	

POWERTRAIN

Transmission	Model	Manual gearbox, 5 forward gears, 1 reverse gear
	Gear ratio	5.494 - 3.193 - 1.689 - 1.000 - 0.723 - reverse 5.494
Rear axle gear ratio	Ratio	4.111

CHASSIS

Front axle / rear axle	Model	F100T / R015T
	Load-bearing capacity front/rear	1950 kg / 2500 kg
Tyres		195/75R16C 107/105 R
		Twin tyres at rear
Wheel		16 x 5 JK - 110
Steering		RHD
		Rack-and-pinion steering with power assist, tilting telescopic steering column with steering-wheel lock
Brake	Service brake	Hydraulic with vacuum power assist, dual-circuit with load-dependent brake proportioning valve at rear wheels
	Front / rear	Disc brake (217 x 24)
	Parking brake	Mechanical expanding brake on drive shaft at rear of transmission
	Auxiliary brake	Exhaust brake (50 kW)
Suspension	Front / rear	Independent wheel suspension (coil spring) with shock absorber / semi-elliptic leaf spring with shock absorber and stabiliser
Frame	Type	Ladder-type frame with reinforcements and crossmembers
Fuel tank capacity		70 litres
Electrical system – batteries		12 V (100 AH - 760 A(EN))



CANTER 3C13 DUONIC® 2.0 LHD

MODEL / VEHICLE TYPE 3C13

Cab type / crew	Comfort, single cab / 3			
Model variant	46905211	46905311	46905511	46905711
FUSO model code	FEB01BL3SEUW	FEB01CL3SEUW	FEB01EL3SEUW	FEB01GL3SEUW

DIMENSIONS (MM)

Wheelbase	2500	2800	3400	3850
Overall length	4790	5140	5940	6690
Cab length	1625			
Width overall	2098			
Cab width	1995			
Height overall	2160	2155	2155	2150
Track width	Front / rear		1665 / 1500	
Frame height (at end of frame)	745		765	770
Ground clearance	165			
Cab to rear axle	1975	2275	2875	3325
Cab to end of frame	3120	3470	4270	5020
Maximum body length**	3500	3995	4985	5725
Frame width	750			
Front overhang	1145			
Rear overhang	1145	1195	1395	1695
Front axle to front of body	625			
Recommended distance cab to body	100			

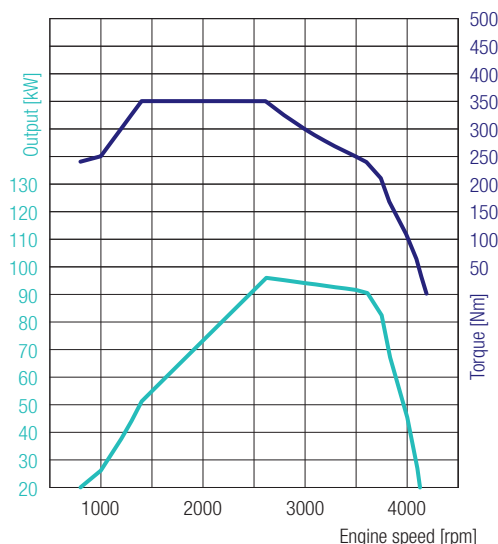
WEIGHTS (KG)

Empty weight*		2060	2070	2095	2110
	Front* / rear*	1525 / 535	1540 / 530	1550 / 545	1565 / 545
Minimum vehicle weight		2310	2335	2350	2370
Gross vehicle weight / gross combination weight		3500 / 7000			
Axle loads*	Front / rear	1950 / 2500			
Towed weight	Braked / unbraked	3500 / 750			
Chassis load bearing capacity*		1440	1430	1405	1390

CALCULATED OUTPUT

Maximum speed	km/h	131			
Minimum turning circle (m)	Kerb to kerb	8.6	9.4	11.2	12.4
	Wall to wall	10.0	11.0	12.6	14.0

* The weight refers to the base vehicle (European series, including coolant, oil, 90% fuel, tyre sealant, tools and driver with 75 kg) without optional equipment. If any optional equipment is added, the weight changes accordingly. ** Calculated maximum value which should be checked depending on the body and application. Subject to change without notice. All data is approximate. The illustrations may contain accessories and items of optional equipment which are not part of the standard specification. The data sheet may contain product types and support services not available in certain countries.



CANTER 3C13 DUONIC® 2.0 LHD

4P10 – 96 kW (130 PS)
 350 Nm@1400 rpm
 96 kW@2620 rpm

ENGINE (EURO VI)

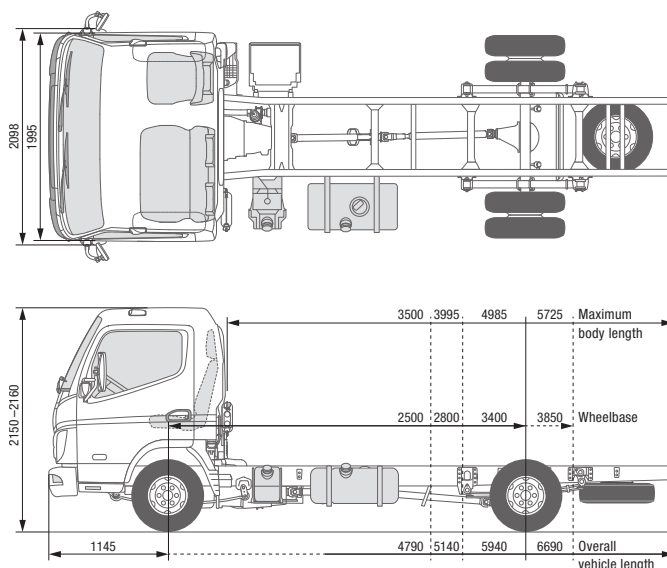
Type	Water-cooled four-stroke diesel engine with turbocharger, intercooler and direct injection		
No. of cylinders	4/in-line		
Capacity	2998 cm ³		
Peak output	96 kW (130 hp) / 2620 rpm		
Rated torque	350 Nm / 1400 rpm		
Diesel particulate filter	Service life approx. 300,000 km		
Alternator	Alternating current 12 V, 140 A		
Exhaust gas aftertreatment	DPF + SCR		
PTO (optional)	Type	31 kW with flange	31 kW for directly connected pumps
	Torque at peak output [Nm]:	196 Nm	
	Gear ratios	1:0.655	1:0.651
	Engine speed at peak output	1500 rpm	

POWERTRAIN

Transmission	Type	DUONIC® 2.0: Automated transmission with dual clutch, 6 forward speeds and 1 reverse gear	
	Gear ratio	5.397 - 3.788 - 2.310 - 1.474 - 1.000 - 0.701 - reverse 5.397	
Rear axle gear ratio	Ratio	4.111	

CHASSIS

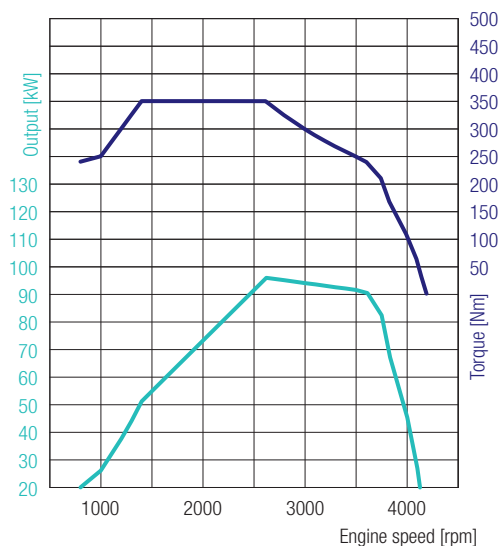
Front axle / rear axle	Model	F100T / R015T	
	Load-bearing capacity front/rear	1950 kg / 2500 kg	
Tyres		195/75R16C 107/105 R	
		Twin tyres at rear	
Wheel		16 x 5 JK - 110	
Steering		LHD	
		Rack-and-pinion steering with power assist, tilting telescopic steering column with steering-wheel lock	
Brake	Service brake	Hydraulic with vacuum power assist, dual-circuit with load-dependent brake proportioning valve at rear wheels	
	Front / rear	Disc brake (217 x 24)	
	Parking brake	Mechanical expanding brake on drive shaft at rear of transmission	
	Auxiliary brake	Exhaust brake (50 kW)	
Suspension	Front / rear	Independent wheel suspension (coil spring) with shock absorber / semi-elliptic leaf spring with shock absorber and stabiliser	
Frame	Type	Ladder-type frame with reinforcements and crossmembers	
Fuel tank capacity		70 litres	
Electrical system – batteries		12 V (100 AH - 760 A(EN))	



CANTER 3C13 DUONIC® 2.0 RHD

MODEL / VEHICLE TYPE		3C13			
Cab type / crew		Comfort, single cab / 3			
Model variant		46905221	46905321	46905521	46905721
FUSO model code		FEB01BR3SEUW	FEB01CR3SEUW	FEB01ER3SEUW	FEB01GR3SEUW
DIMENSIONS (MM)					
Wheelbase		2500	2800	3400	3850
Overall length		4790	5140	5940	6690
Cab length		1625			
Width overall		2098			
Cab width		1995			
Height overall		2160	2155	2155	2150
Track width		Front / rear		1665 / 1500	
Frame height (at end of frame)		745		765	770
Ground clearance		165			
Cab to rear axle		1975	2275	2875	3325
Cab to end of frame		3120	3470	4270	5020
Maximum body length**		3500	3995	4985	5725
Frame width		750			
Front overhang		1145			
Rear overhang		1145	1195	1395	1695
Front axle to front of body		625			
Recommended distance cab to body		100			
WEIGHTS (KG)					
Empty weight*		2060	2070	2095	2110
Front* / rear*		1525 / 535	1540 / 530	1550 / 545	1565 / 545
Minimum vehicle weight		2310	2335	2350	2370
Gross vehicle weight / gross combination weight		3500 / 7000			
Axle loads*		Front / rear		1950 / 2500	
Towed weight		Braked / unbraked		3500 / 750	
Chassis load bearing capacity*		1440	1430	1405	1390
CALCULATED OUTPUT					
Maximum speed		km/h		131	
Minimum turning circle (m)		Kerb to kerb		8.6	9.4
		Wall to wall		10.0	11.0
				11.2	12.4
				12.6	14.0

* The weight refers to the base vehicle (European series, including coolant, oil, 90% fuel, tyre sealant, tools and driver with 75 kg) without optional equipment. If any optional equipment is added, the weight changes accordingly. ** Calculated maximum value which should be checked depending on the body and application. Subject to change without notice. All data is approximate. The illustrations may contain accessories and items of optional equipment which are not part of the standard specification. The data sheet may contain product types and support services not available in certain countries.



CANTER 3C13 DUONIC® 2.0 RHD

4P10 – 96 kW (130 PS)
 350 Nm@1400 rpm
 96 kW@2620 rpm

ENGINE (EURO VI)

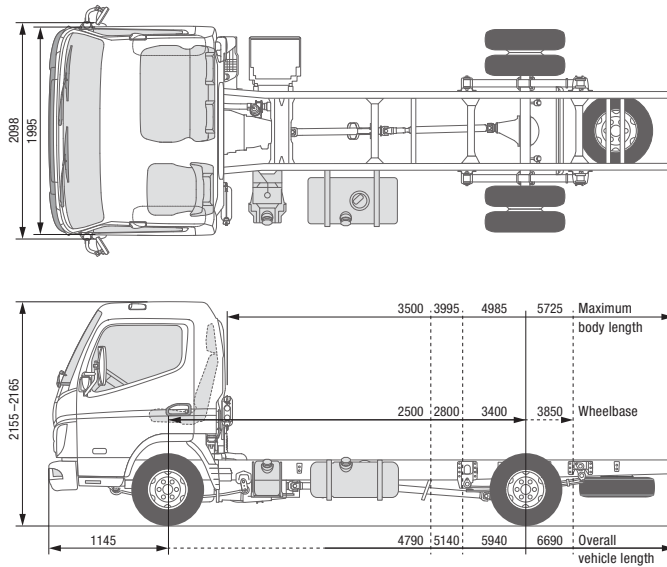
Type	Water-cooled four-stroke diesel engine with turbocharger, intercooler and direct injection		
No. of cylinders	4/in-line		
Capacity	2998 cm ³		
Peak output	96 kW (130 hp) / 2620 rpm		
Rated torque	350 Nm / 1400 rpm		
Diesel particulate filter	Service life approx. 300,000 km		
Alternator	Alternating current 12 V, 140 A		
Exhaust gas aftertreatment	DPF + SCR		
PTO (optional)	Type	31 kW with flange	31 kW for directly connected pumps
	Torque at peak output [Nm]:	196 Nm	
	Gear ratios	1:0.655	1:0.651
	Engine speed at peak output	1500 rpm	

POWERTRAIN

Transmission	Model	DUONIC® 2.0: Automated transmission with dual clutch, 6 forward speeds and 1 reverse gear
	Gear ratio	5.397 - 3.788 - 2.310 - 1.474 - 1.000 - 0.701 - reverse 5.397
Rear axle gear ratio	Ratio	4.111

CHASSIS

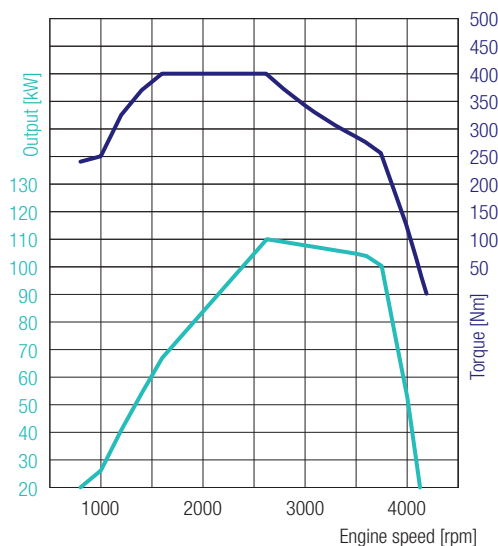
Front axle / rear axle	Model	F100T / R015T
	Load-bearing capacity front/rear	1950 kg / 2500 kg
Tyres		195/75R16C 107/105 R
		Twin tyres at rear
Wheel		16 x 5 JK - 110
Steering		RHD
		Rack-and-pinion steering with power assist, tilting telescopic steering column with steering-wheel lock
Brake	Service brake	Hydraulic with vacuum power assist, dual-circuit with load-dependent brake proportioning valve at rear wheels
	Front / rear	Disc brake (217 x 24)
	Parking brake	Mechanical expanding brake on drive shaft at rear of transmission
	Auxiliary brake	Exhaust brake (50 kW)
Suspension	Front / rear	Independent wheel suspension (coil spring) with shock absorber / semi-elliptic leaf spring with shock absorber and stabiliser
Frame	Type	Ladder-type frame with reinforcements and crossmembers
Fuel tank capacity		70 litres
Electrical system – batteries		12 V (100 AH - 760 A(EN))



CANTER 3C15 LHD

MODEL / VEHICLE TYPE		3C15			
Cab type / crew		Comfort, single cab / 3			
Model variant		46906211	46906311	46906511	46906711
FUSO model code		FEB01BL4SEUX	FEB01CL4SEUX	FEB01EL4SEUX	FEB01GL4SEUX
DIMENSIONS (MM)					
Wheelbase		2500	2800	3400	3850
Overall length		4790	5140	5940	6690
Cab length		1625			
Width overall		2098			
Cab width		1995			
Height overall		2165	2160	2160	2155
Track width		Front / rear		1665 / 1500	
Frame height (at end of frame)		740		765	
Ground clearance		165			
Cab to rear axle		1975	2275	2875	3325
Cab to end of frame		3120	3470	4270	5020
Maximum body length**		3500	3995	4985	5725
Frame width		750			
Front overhang		1145			
Rear overhang		1145	1195	1395	1695
Front axle to front of body		625			
Recommended distance cab to body		100			
WEIGHTS (KG)					
Empty weight*		2040	2050	2070	2090
Front* / rear*		1510 / 530	1525 / 525	1530 / 540	1550 / 540
Minimum vehicle weight		2290	2310	2315	2345
Gross vehicle weight / gross combination weight		3500 / 7000			
Axle loads*		Front / rear		1950 / 2500	
Towed weight		Braked / unbraked		3500 / 750	
Chassis load bearing capacity*		1460	1450	1430	1410
CALCULATED OUTPUT					
Maximum speed		km/h		136	
Minimum turning circle (m)		Kerb to kerb		8.6	9.4
		Wall to wall		10.0	11.0
				11.2	12.4
				12.6	14.0

* The weight refers to the base vehicle (European series, including coolant, oil, 90% fuel, tyre sealant, tools and driver with 75 kg) without optional equipment. If any optional equipment is added, the weight changes accordingly. ** Calculated maximum value which should be checked depending on the body and application. Subject to change without notice. All data is approximate. The illustrations may contain accessories and items of optional equipment which are not part of the standard specification. The data sheet may contain product types and support services not available in certain countries.



4P10 – 110 kW (150 PS)
 400 Nm@1600 rpm
 110 kW@2626 rpm

CANTER 3C15 LHD

ENGINE (EURO VI)

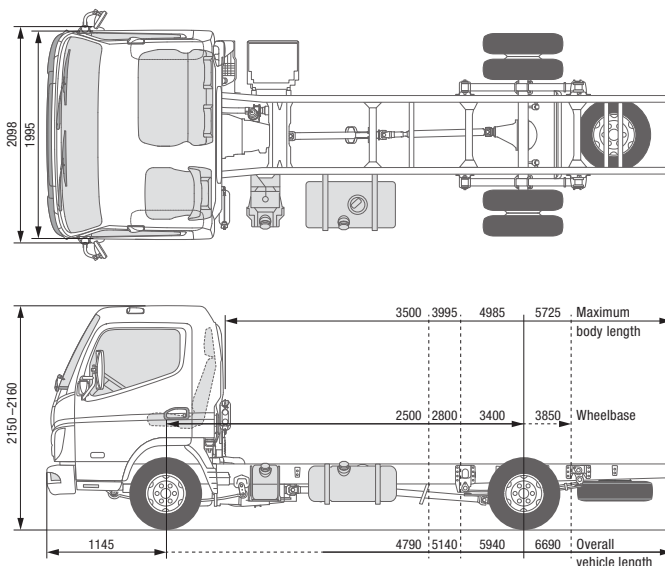
Type	Water-cooled four-stroke diesel engine with turbocharger, intercooler and direct injection		
No. of cylinders	4/in-line		
Capacity	2998 cm ³		
Peak output	110 kW (150 hp) / 2626 rpm		
Rated torque	400 Nm / 1600 rpm		
Diesel particulate filter	Service life approx. 300,000 km		
Alternator	Alternating current 12 V, 140 A		
Exhaust gas aftertreatment	DPF + SCR		
PTO (optional)	Type	31 kW with flange	31 kW for directly connected pumps
	Torque at peak output [Nm]:	196 Nm	
	Gear ratios	1:0.644	1:0.638
	Engine speed at peak output	1500 rpm	

POWERTRAIN

Transmission	Model	Manual gearbox, 5 forward gears, 1 reverse gear
	Gear ratio	5.494 - 3.193 - 1.689 - 1.000 - 0.723 - reverse 5.494
Rear axle gear ratio	Ratio	4.111

CHASSIS

Front axle / rear axle	Model	F100T / R015T
	Load-bearing capacity front/rear	1950 kg / 2500 kg
Tyres		195/75R16C 107/105 R
		Twin tyres at rear
Wheel		16 x 5 JK - 110
Steering		LHD
		Rack-and-pinion steering with power assist, tilting telescopic steering column with steering-wheel lock
Brake	Service brake	Hydraulic with vacuum power assist, dual-circuit with load-dependent brake proportioning valve at rear wheels
	Front / rear	Disc brake (217 x 24)
	Parking brake	Mechanical expanding brake on drive shaft at rear of transmission
	Auxiliary brake	Exhaust brake (50 kW)
Suspension	Front / rear	Independent wheel suspension (coil spring) with shock absorber / semi-elliptic leaf spring with shock absorber and stabiliser
Frame	Type	Ladder-type frame with reinforcements and crossmembers
Fuel tank capacity		70 litres
Electrical system – batteries		12 V (100 AH - 760 A(EN))



CANTER 3C15 DUONIC® 2.0 LHD

MODEL / VEHICLE TYPE 3C15

Cab type / crew	Comfort, single cab / 3			
Model variant	46907211	46907311	46907511	46907711
FUSO model code	FEB01BL3SEUX	FEB01CL3SEUX	FEB01EL3SEUX	FEB01GL3SEUX

DIMENSIONS (MM)

Wheelbase	2500	2800	3400	3850
Overall length	4790	5140	5940	6690
Cab length	1625			
Width overall	2098			
Cab width	1995			
Height overall	2160	2155	2155	2150
Track width	Front / rear		1665 / 1500	
Frame height (at end of frame)	745		765	770
Ground clearance	165			
Cab to rear axle	1975	2275	2875	3325
Cab to end of frame	3120	3470	4270	5020
Maximum body length**	3500	3995	4985	5725
Frame width	750			
Front overhang	1145			
Rear overhang	1145	1195	1395	1695
Front axle to front of body	625			
Recommended distance cab to body	100			

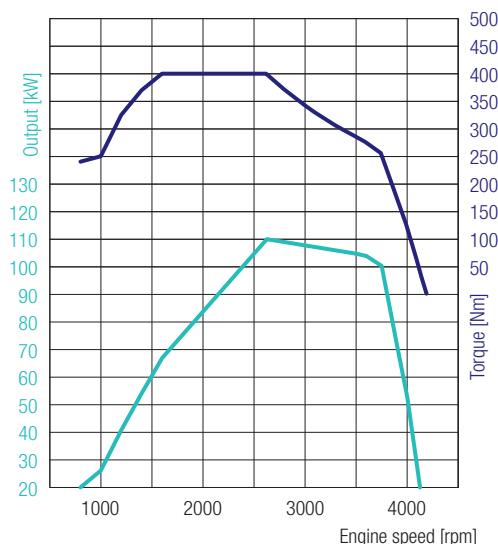
WEIGHTS (KG)

Empty weight*		2060	2070	2095	2110
	Front* / rear*	1525 / 535	1540 / 530	1550 / 545	1565 / 545
Minimum vehicle weight		2310	2335	2350	2370
Gross vehicle weight / gross combination weight		3500 / 7000			
Axle loads*	Front / rear	1950 / 2500			
Towed weight	Braked / unbraked	3500 / 750			
Chassis load bearing capacity*		1440	1430	1405	1390

CALCULATED OUTPUT

Maximum speed	km/h	137			
Minimum turning circle (m)	Kerb to kerb	8.6	9.4	11.2	12.4
	Wall to wall	10.0	11.0	12.6	14.0

* The weight refers to the base vehicle (European series, including coolant, oil, 90% fuel, tyre sealant, tools and driver with 75 kg) without optional equipment. If any optional equipment is added, the weight changes accordingly. ** Calculated maximum value which should be checked depending on the body and application. Subject to change without notice. All data is approximate. The illustrations may contain accessories and items of optional equipment which are not part of the standard specification. The data sheet may contain product types and support services not available in certain countries.



4P10 – 110 kW (150 PS)
 400 Nm@1600 rpm
 110 kW@2626 rpm

CANTER 3C15 DUONIC® 2.0 LHD

ENGINE (EURO VI)

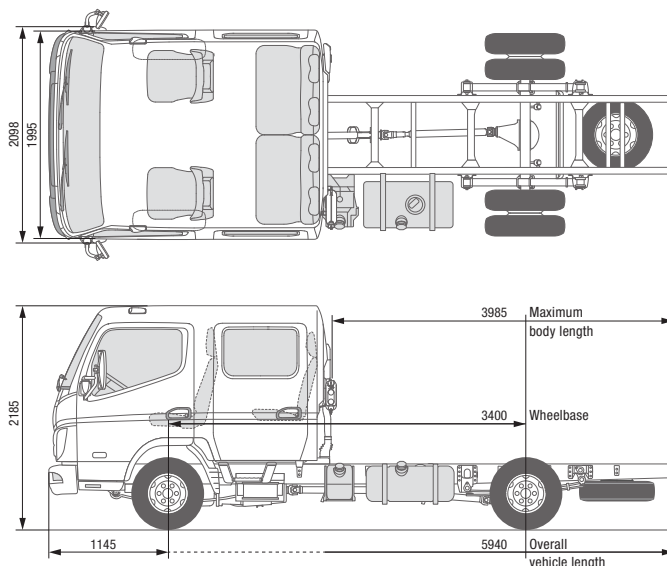
Type	Water-cooled four-stroke diesel engine with turbocharger, intercooler and direct injection		
No. of cylinders	4/in-line		
Capacity	2998 cm ³		
Peak output	110 kW (150 hp) / 2626 rpm		
Rated torque	400 Nm / 1600 rpm		
Diesel particulate filter	Service life approx. 300,000 km		
Alternator	Alternating current 12 V, 140 A		
Exhaust gas aftertreatment	DPF + SCR		
PTO (optional)	Type	31 kW with flange	31 kW for directly connected pumps
	Torque at peak output [Nm]:	196 Nm	
	Gear ratios	1:0.655	1:0.651
	Engine speed at peak output	1500 rpm	

POWERTRAIN

Transmission	Model	DUONIC® 2.0: Automated transmission with dual clutch, 6 forward speeds and 1 reverse gear
	Gear ratio	5.397 - 3.788 - 2.310 - 1.474 - 1.000 - 0.701 - reverse 5.397
Rear axle gear ratio	Ratio	4.111

CHASSIS

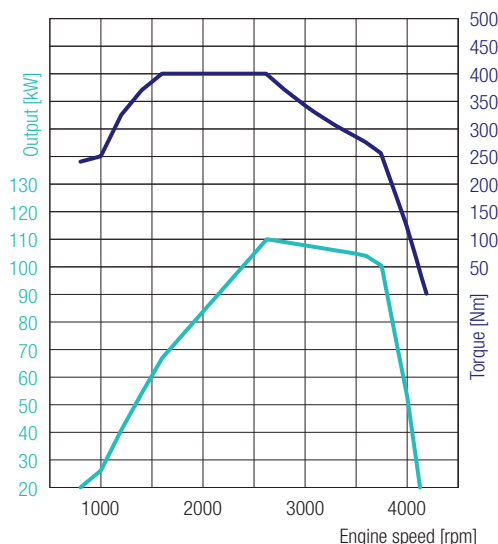
Front axle / rear axle	Model	F100T / R015T
	Load-bearing capacity front/rear	1950 kg / 2500 kg
Tyres		195/75R16C 107/105 R
		Twin tyres at rear
Wheel		16 x 5 JK - 110
Steering		LHD
		Rack-and-pinion steering with power assist, tilting telescopic steering column with steering-wheel lock
Brake	Service brake	Hydraulic with vacuum power assist, dual-circuit with load-dependent brake proportioning valve at rear wheels
	Front / rear	Disc brake (217 x 24)
	Parking brake	Mechanical expanding brake on drive shaft at rear of transmission
	Auxiliary brake	Exhaust brake (50 kW)
Suspension	Front / rear	Independent wheel suspension (coil spring) with shock absorber / semi-elliptic leaf spring with shock absorber and stabiliser
Frame	Type	Ladder-type frame with reinforcements and crossmembers
Fuel tank capacity		70 litres
Electrical system – batteries		12 V (100 AH - 760 A(EN))



CANTER 3C15D LHD

MODEL / VEHICLE TYPE		3C15D
Cab type / crew		Comfort, crew cab / 6
Model variant		46906513
FUSO model code		FEB01EL4WEUX
DIMENSIONS (MM)		
Wheelbase		3400
Overall length		5940
Cab length		2625
Width overall		2098
Cab width		1995
Height overall		2185
Track width		Front / rear 1665 / 1500
Frame height (at end of frame)		755
Ground clearance		165
Cab to rear axle		1875
Cab to end of frame		3270
Maximum body length**		3985
Frame width		750
Front overhang		1145
Rear overhang		1395
Front axle to front of body		1625
Recommended distance cab to body		100
WEIGHTS (KG)		
Empty weight*		2295
Front* / rear*		1675 / 620
Minimum vehicle weight		2535
Gross vehicle weight / gross combination weight		3500 / 7000
Axle loads*		Front / rear 1950 / 2500
Towed weight		Braked / unbraked 3500 / 750
Chassis load bearing capacity*		1205
CALCULATED OUTPUT		
Maximum speed		km/h 136
Minimum turning circle (m)		Kerb to kerb 11.2
		Wall to wall 12.6

* The weight refers to the base vehicle (European series, including coolant, oil, 90% fuel, tyre sealant, tools and driver with 75 kg) without optional equipment. If any optional equipment is added, the weight changes accordingly. ** Calculated maximum value which should be checked depending on the body and application. Subject to change without notice. All data is approximate. The illustrations may contain accessories and items of optional equipment which are not part of the standard specification. The data sheet may contain product types and support services not available in certain countries.



4P10 – 110 kW (150 PS)
 400 Nm@1600 rpm
 110 kW@2626 rpm

CANTER 3C15D

LHD

ENGINE (EURO VI)

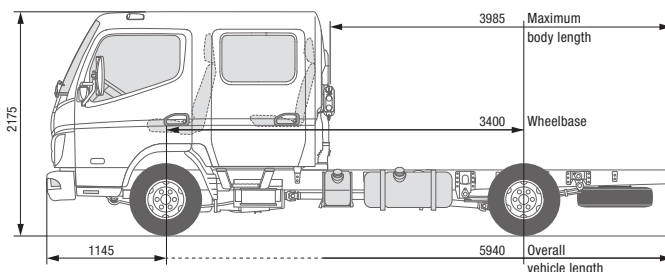
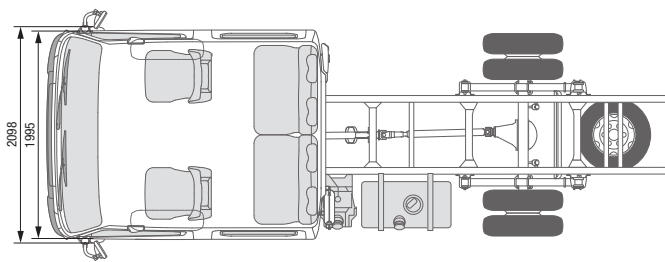
Type	Water-cooled four-stroke diesel engine with turbocharger, intercooler and direct injection		
No. of cylinders	4/in-line		
Capacity	2998 cm ³		
Peak output	110 kW (150 hp) / 2626 rpm		
Rated torque	400 Nm / 1600 rpm		
Diesel particulate filter	Service life approx. 300,000 km		
Alternator	Alternating current 12 V, 140 A		
Exhaust gas aftertreatment	DPF + SCR		
PTO (optional)	Type	31 kW with flange	31 kW for directly connected pumps
	Torque at peak output [Nm]:	196 Nm	
	Gear ratios	1:0.655	1:0.651
	Engine speed at peak output	1500 rpm	

POWERTRAIN

Transmission	Model	Manual gearbox, 5 forward gears, 1 reverse gear
	Gear ratio	5.494 - 3.193 - 1.689 - 1.000 - 0.723 - reverse 5.494
Rear axle gear ratio	Ratio	4.111

CHASSIS

Front axle / rear axle	Model	F100T / R015T
	Load-bearing capacity front/rear	1950 kg / 2500 kg
Tyres		195/75R16C 107/105 R
		Twin tyres at rear
Wheel		16 x 5 JK - 110
Steering		LHD
		Rack-and-pinion steering with power assist, tilting telescopic steering column with steering-wheel lock
Brake	Service brake	Hydraulic with vacuum power assist, dual-circuit with load-dependent brake proportioning valve at rear wheels
	Front / rear	Disc brake (217 x 24)
	Parking brake	Mechanical expanding brake on drive shaft at rear of transmission
	Auxiliary brake	Exhaust brake (50 kW)
Suspension	Front / rear	Independent wheel suspension (coil spring) with shock absorber / semi-elliptic leaf spring with shock absorber and stabiliser
Frame	Type	Ladder-type frame with reinforcements and crossmembers
Fuel tank capacity		70 litres
Electrical system – batteries		12 V (100 AH - 760 A(EN))



CANTER 3C15D DUONIC® 2.0 LHD

MODEL / VEHICLE TYPE 3C15D

Cab type / crew	Comfort, crew cab / 6
Model variant	46907513
FUSO model code	FEB01EL3WEUX

DIMENSIONS (MM)

Wheelbase		3400
Overall length		5940
Cab length		2625
Width overall		2098
Cab width		1995
Height overall		2175
Track width	Front / rear	1665 / 1500
Frame height (at end of frame)		760
Ground clearance		165
Cab to rear axle		1875
Cab to end of frame		3270
Maximum body length**		3985
Frame width		750
Front overhang		1145
Rear overhang		1395
Front axle to front of body		1625
Recommended distance cab to body		100

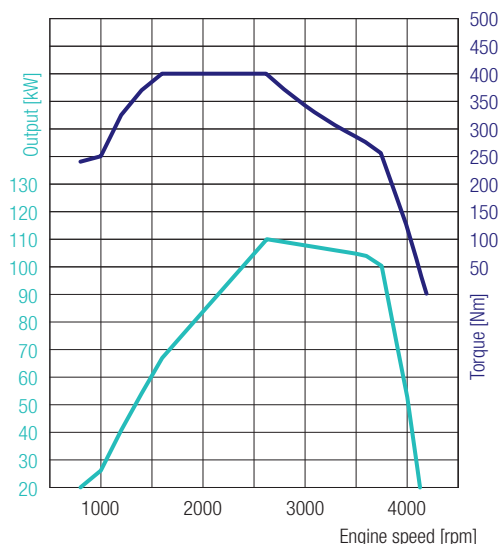
WEIGHTS (KG)

Empty weight*		2315
	Front* / rear*	1690 / 625
Minimum vehicle weight		2565
Gross vehicle weight / gross combination weight		3500 / 7000
Axle loads*	Front / rear	1950 / 2500
	Braked / unbraked	3500 / 750
Chassis load bearing capacity*		1185

CALCULATED OUTPUT

Maximum speed	km/h	137
Minimum turning circle (m)	Kerb to kerb	11.2
	Wall to wall	12.6

* The weight refers to the base vehicle (European series, including coolant, oil, 90% fuel, tyre sealant, tools and driver with 75 kg) without optional equipment. If any optional equipment is added, the weight changes accordingly. ** Calculated maximum value which should be checked depending on the body and application. Subject to change without notice. All data is approximate. The illustrations may contain accessories and items of optional equipment which are not part of the standard specification. The data sheet may contain product types and support services not available in certain countries.



CANTER 3C15D DUONIC® 2.0 LHD

4P10 – 110 kW (150 PS)
 400 Nm@1600 rpm
 110 kW@2626 rpm

ENGINE (EURO VI)

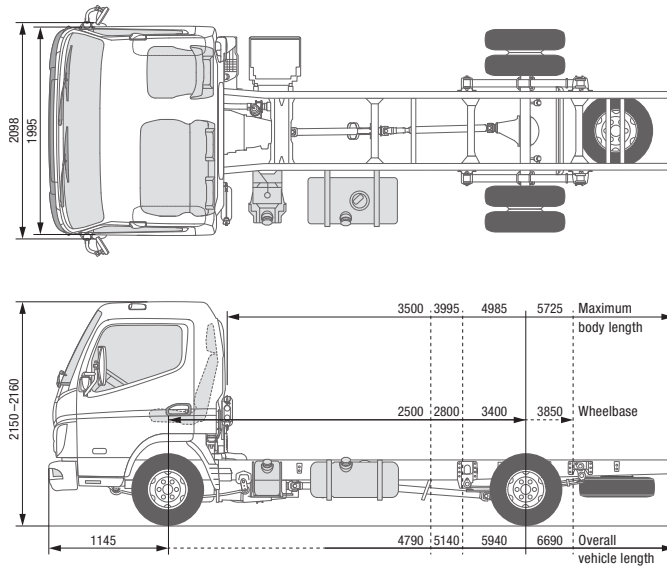
Type	Water-cooled four-stroke diesel engine with turbocharger, intercooler and direct injection		
No. of cylinders	4/in-line		
Capacity	2998 cm ³		
Peak output	110 kW (150 hp) / 2626 rpm		
Rated torque	400 Nm / 1600 rpm		
Diesel particulate filter	Service life approx. 300,000 km		
Alternator	Alternating current 12 V, 140 A		
Exhaust gas aftertreatment	DPF + SCR		
PTO (optional)	Type	31 kW with flange	31 kW for directly connected pumps
	Torque at peak output [Nm]:	196 Nm	
	Gear ratios	1:0.655	1:0.651
	Engine speed at peak output	1500 rpm	

POWERTRAIN

Transmission	Model	DUONIC® 2.0: Automated transmission with dual clutch, 6 forward speeds and 1 reverse gear
	Gear ratio	5.397 - 3.788 - 2.310 - 1.474 - 1.000 - 0.701 - reverse 5.397
Rear axle gear ratio	Ratio	4.444

CHASSIS

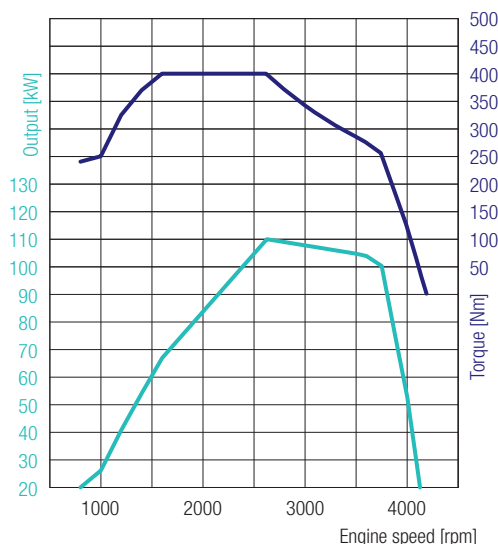
Front axle / rear axle	Model	F100T / R015T
	Load-bearing capacity front/rear	1950 kg / 2500 kg
Tyres		195/75R16C 107/105 R
		Twin tyres at rear
Wheel		16 x 5 JK - 110
Steering		LHD
		Rack-and-pinion steering with power assist, tilting telescopic steering column with steering-wheel lock
Brake	Service brake	Hydraulic with vacuum power assist, dual-circuit with load-dependent brake proportioning valve at rear wheels
	Front / rear	Disc brake (217 x 24)
	Parking brake	Mechanical expanding brake on drive shaft at rear of transmission
	Auxiliary brake	Exhaust brake (50 kW)
Suspension	Front / rear	Independent wheel suspension (coil spring) with shock absorber / semi-elliptic leaf spring with shock absorber and stabiliser
Frame	Type	Ladder-type frame with reinforcements and crossmembers
Fuel tank capacity		70 litres
Electrical system – batteries		12 V (100 AH - 760 A(EN))



CANTER 3C15 DUONIC® 2.0 RHD

MODEL / VEHICLE TYPE		3C15			
Cab type / crew		Comfort, single cab / 3			
Model variant		46907221	46907321	46907521	46907721
FUSO model code		FEB01BR3SEUX	FEB01CR3SEUX	FEB01ER3SEUX	FEB01GR3SEUX
DIMENSIONS (MM)					
Wheelbase		2500	2800	3400	3850
Overall length		4790	5140	5940	6690
Cab length		1625			
Width overall		2098			
Cab width		1995			
Height overall		2160	2155	2155	2150
Track width		Front / rear		1665 / 1500	
Frame height (at end of frame)		745		765	770
Ground clearance		165			
Cab to rear axle		1975	2275	2875	3325
Cab to end of frame		3120	3470	4270	5020
Maximum body length**		3500	3995	4985	5725
Frame width		750			
Front overhang		1145			
Rear overhang		1145	1195	1395	1695
Front axle to front of body		625			
Recommended distance cab to body		100			
WEIGHTS (KG)					
Empty weight*		2060	2070	2095	2110
Front* / rear*		1525 / 535	1540 / 530	1550 / 545	1565 / 545
Minimum vehicle weight		2310	2335	2350	2370
Gross vehicle weight / gross combination weight		3500 / 7000			
Axle loads*		Front / rear		1950 / 2500	
Towed weight		Braked / unbraked		3500 / 750	
Chassis load bearing capacity*		1440	1430	1405	1390
CALCULATED OUTPUT					
Maximum speed		km/h		139	
Minimum turning circle (m)		Kerb to kerb		8.6	9.4
		Wall to wall		10.0	11.0
				11.2	12.4
				12.6	14.0

* The weight refers to the base vehicle (European series, including coolant, oil, 90% fuel, tyre sealant, tools and driver with 75 kg) without optional equipment. If any optional equipment is added, the weight changes accordingly. ** Calculated maximum value which should be checked depending on the body and application. Subject to change without notice. All data is approximate. The illustrations may contain accessories and items of optional equipment which are not part of the standard specification. The data sheet may contain product types and support services not available in certain countries.



CANTER 3C15 DUONIC® 2.0 RHD

4P10 – 110 kW (150 PS)
 400 Nm@1600 rpm
 110 kW@2626 rpm

ENGINE (EURO VI)

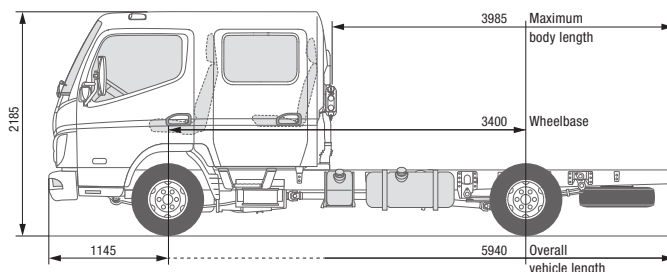
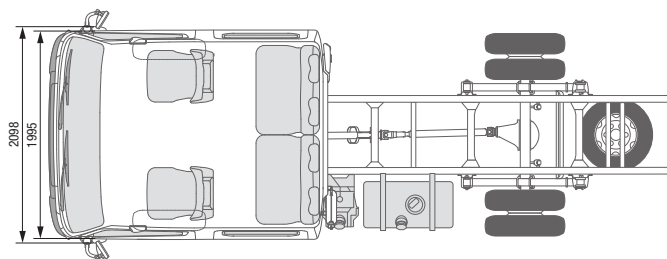
Type	Water-cooled four-stroke diesel engine with turbocharger, intercooler and direct injection		
No. of cylinders	4/in-line		
Capacity	2998 cm ³		
Peak output	110 kW (150 hp) / 2626 rpm		
Rated torque	400 Nm / 1600 rpm		
Diesel particulate filter	Service life approx. 300,000 km		
Alternator	Alternating current 12 V, 140 A		
Exhaust gas aftertreatment	DPF + SCR		
PTO (optional)	Type	31 kW with flange	31 kW for directly connected pumps
	Torque at peak output [Nm]:	196 Nm	
	Gear ratios	1:0.655	1:0.651
	Engine speed at peak output	1500 rpm	

POWERTRAIN

Transmission	Model	DUONIC® 2.0: Automated transmission with dual clutch, 6 forward speeds and 1 reverse gear
	Gear ratio	5.397 - 3.788 - 2.310 - 1.474 - 1.000 - 0.701 - reverse 5.397
Rear axle gear ratio	Ratio	4.111

CHASSIS

Front axle / rear axle	Model	F100T / R015T
	Load-bearing capacity front/rear	1950 kg / 2500 kg
Tyres		195/75R16C 107/105 R
		Twin tyres at rear
Wheel		16 x 5 JK - 110
Steering		RHD
		Rack-and-pinion steering with power assist, tilting telescopic steering column with steering-wheel lock
Brake	Service brake	Hydraulic with vacuum power assist, dual-circuit with load-dependent brake proportioning valve at rear wheels
	Front / rear	Disc brake (217 x 24)
	Parking brake	Mechanical expanding brake on drive shaft at rear of transmission
	Auxiliary brake	Exhaust brake (50 kW)
Suspension	Front / rear	Independent wheel suspension (coil spring) with shock absorber / semi-elliptic leaf spring with shock absorber and stabiliser
Frame	Type	Ladder-type frame with reinforcements and crossmembers
Fuel tank capacity		70 litres
Electrical system – batteries		12 V (100 AH - 760 A(EN))



CANTER 3C15D

RHD

MODEL / VEHICLE TYPE 3C15D

Cab type / crew	Comfort, crew cab / 6
Model variant	46906523
FUSO model code	FEB01ER4WEUX

DIMENSIONS (MM)

Wheelbase		3400
Overall length		5940
Cab length		2625
Width overall		2098
Cab width		1995
Height overall		2185
Track width	Front / rear	1665 / 1500
Frame height (at end of frame)		755
Ground clearance		165
Cab to rear axle		1875
Cab to end of frame		3270
Maximum body length**		3985
Frame width		750
Front overhang		1145
Rear overhang		1395
Front axle to front of body		1625
Recommended distance cab to body		100

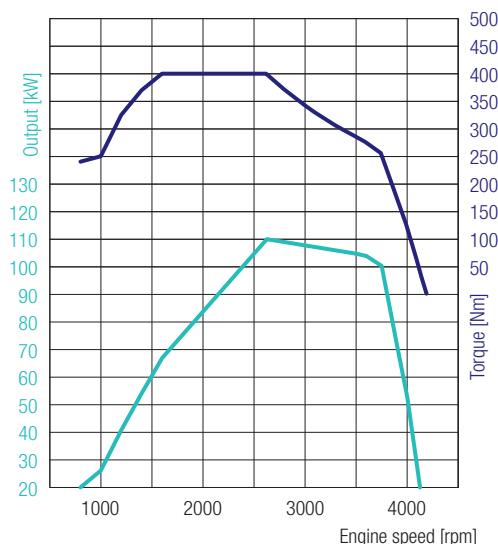
WEIGHTS (KG)

Empty weight*		2295
	Front* / rear*	1675 / 620
Minimum vehicle weight		2535
Gross vehicle weight / gross combination weight		3500 / 7000
Axle loads*	Front / rear	1950 / 2500
	Braked / unbraked	3500 / 750
Chassis load bearing capacity*		1205

CALCULATED OUTPUT

Maximum speed	km/h	136
Minimum turning circle (m)	Kerb to kerb	11.2
	Wall to wall	12.6

* The weight refers to the base vehicle (European series, including coolant, oil, 90% fuel, tyre sealant, tools and driver with 75 kg) without optional equipment. If any optional equipment is added, the weight changes accordingly. ** Calculated maximum value which should be checked depending on the body and application. Subject to change without notice. All data is approximate. The illustrations may contain accessories and items of optional equipment which are not part of the standard specification. The data sheet may contain product types and support services not available in certain countries.



4P10 – 110 kW (150 PS)
 400 Nm@1600 rpm
 110 kW@2626 rpm

CANTER 3C15D

RHD

ENGINE (EURO VI)

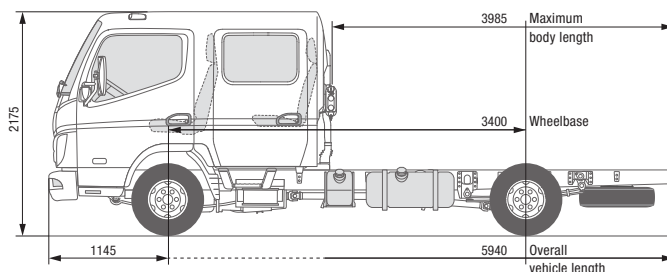
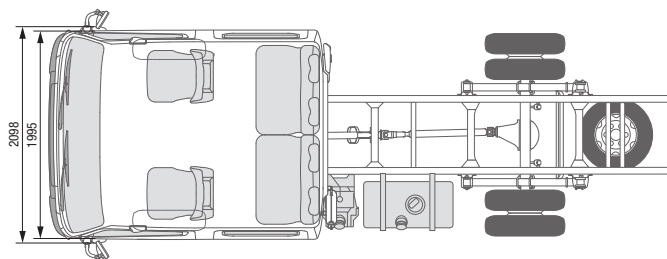
Type	Water-cooled four-stroke diesel engine with turbocharger, intercooler and direct injection		
No. of cylinders	4/in-line		
Capacity	2998 cm ³		
Peak output	110 kW (150 hp) / 2626 rpm		
Rated torque	400 Nm / 1600 rpm		
Diesel particulate filter	Service life approx. 300,000 km		
Alternator	Alternating current 12 V, 140 A		
Exhaust gas aftertreatment	DPF + SCR		
PTO (optional)	Type	31 kW with flange	31 kW for directly connected pumps
	Torque at peak output [Nm]:	196 Nm	
	Gear ratios	1:0.655	1:0.651
	Engine speed at peak output	1500 rpm	

POWERTRAIN

Transmission	Model	Manual gearbox, 5 forward gears, 1 reverse gear
	Gear ratio	5.494 - 3.193 - 1.689 - 1.000 - 0.723 - reverse 5.494
Rear axle gear ratio	Ratio	4.111

CHASSIS

Front axle / rear axle	Model	F100T / R015T
	Load-bearing capacity front/rear	1950 kg / 2500 kg
Tyres		195/75R16C 107/105 R
		Twin tyres at rear
Wheel		16 x 5 JK - 110
Steering		RHD
		Rack-and-pinion steering with power assist, tilting telescopic steering column with steering-wheel lock
Brake	Service brake	Hydraulic with vacuum power assist, dual-circuit with load-dependent brake proportioning valve at rear wheels
	Front / rear	Disc brake (217 x 24)
	Parking brake	Mechanical expanding brake on drive shaft at rear of transmission
	Auxiliary brake	Exhaust brake (50 kW)
Suspension	Front / rear	Independent wheel suspension (coil spring) with shock absorber / semi-elliptic leaf spring with shock absorber and stabiliser
Frame	Type	Ladder-type frame with reinforcements and crossmembers
Fuel tank capacity		70 litres
Electrical system – batteries		12 V (100 AH - 760 A(EN))



CANTER 3C15D DUONIC® 2.0 RHD

MODEL / VEHICLE TYPE

Cab type / crew	Comfort, crew cab / 6
Model variant	46907523
FUSO model code	FEB01ER3WEUX

DIMENSIONS (MM)

Wheelbase		3400
Overall length		5940
Cab length		2625
Width overall		2098
Cab width		1995
Height overall		2175
Track width	Front / rear	1665 / 1500
Frame height (at end of frame)		760
Ground clearance		165
Cab to rear axle		1875
Cab to end of frame		3270
Maximum body length**		3985
Frame width		750
Front overhang		1145
Rear overhang		1395
Front axle to front of body		1625
Recommended distance cab to body		100

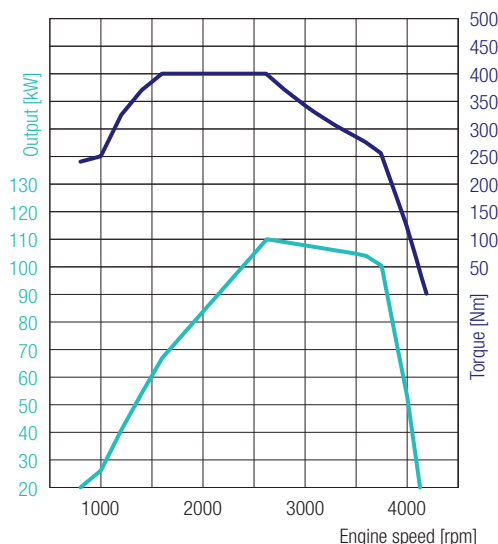
WEIGHTS (KG)

Empty weight*		2315
	Front* / rear*	1690 / 625
Minimum vehicle weight		2565
Gross vehicle weight / gross combination weight		3500 / 7000
Axle loads*	Front / rear	1950 / 2500
Towed weight	Braked / unbraked	3500 / 750
Chassis load bearing capacity*		1185

CALCULATED OUTPUT

Maximum speed	km/h	139
Minimum turning circle (m)	Kerb to kerb	11.2
	Wall to wall	12.6

* The weight refers to the base vehicle (European series, including coolant, oil, 90% fuel, tyre sealant, tools and driver with 75 kg) without optional equipment. If any optional equipment is added, the weight changes accordingly. ** Calculated maximum value which should be checked depending on the body and application.
Subject to change without notice. All data is approximate. The illustrations may contain accessories and items of optional equipment which are not part of the standard specification. The data sheet may contain product types and support services not available in certain countries.



CANTER 3C15D DUONIC® 2.0 RHD

4P10 – 110 kW (150 PS)
 400 Nm@1600 rpm
 110 kW@2626 rpm

ENGINE (EURO VI)

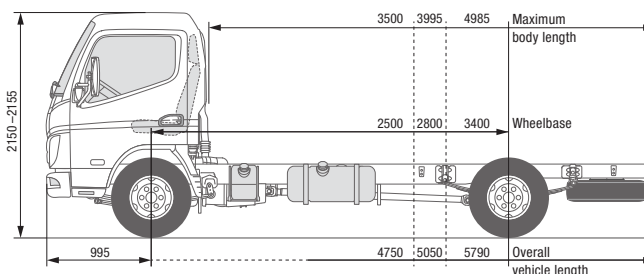
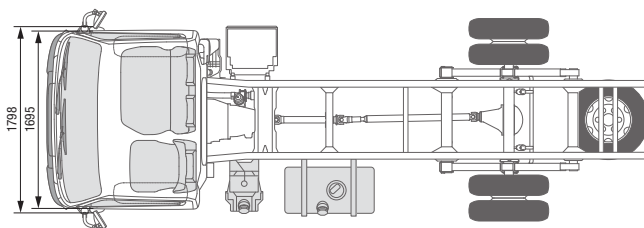
Type	Water-cooled four-stroke diesel engine with turbocharger, intercooler and direct injection		
No. of cylinders	4/in-line		
Capacity	2998 cm ³		
Peak output	110 kW (150 hp) / 2626 rpm		
Rated torque	400 Nm / 1600 rpm		
Diesel particulate filter	Service life approx. 300,000 km		
Alternator	Alternating current 12 V, 140 A		
Exhaust gas aftertreatment	DPF + SCR		
PTO (optional)	Type	31 kW with flange	31 kW for directly connected pumps
	Torque at peak output [Nm]:	196 Nm	
	Gear ratios	1:0.655	1:0.651
	Engine speed at peak output	1500 rpm	

POWERTRAIN

Transmission	Model	DUONIC® 2.0: Automated transmission with dual clutch, 6 forward speeds and 1 reverse gear
	Gear ratio	5.397 - 3.788 - 2.310 - 1.474 - 1.000 - 0.701 - reverse 5.397
Rear axle gear ratio	Ratio	4.444

CHASSIS

Front axle / rear axle	Model	F100T / R015T
	Load-bearing capacity front/rear	1950 kg / 2500 kg
Tyres		195/75R16C 107/105 R
		Twin tyres at rear
Wheel		16 x 5 JK - 110
Steering		RHD
		Rack-and-pinion steering with power assist, tilting telescopic steering column with steering-wheel lock
Brake	Service brake	Hydraulic with vacuum power assist, dual-circuit with load-dependent brake proportioning valve at rear wheels
	Front / rear	Disc brake (217 x 24)
	Parking brake	Mechanical expanding brake on drive shaft at rear of transmission
	Auxiliary brake	Exhaust brake (50 kW)
Suspension	Front / rear	Independent wheel suspension (coil spring) with shock absorber / semi-elliptic leaf spring with shock absorber and stabiliser
Frame	Type	Ladder-type frame with reinforcements and crossmembers
Fuel tank capacity		70 litres
Electrical system – batteries		12 V (100 AH - 760 A(EN))



CANTER 6S15 LHD

MODEL / VEHICLE TYPE 6S15

Cab type / crew	Standard, single cab / 3		
Model variant	46910212	46910312	46910512
FUSO model code	FEA51BL4SEUX	FEA51CL4SEUX	FEA51EL4SEUX

DIMENSIONS (MM)

Wheelbase		2500	2800	3400
Overall length		4750	5050	5790
Cab length			1510	
Width overall			1876	
Cab width			1695	
Height overall		2155	2155	2150
Track width	Front / rear		1390 / 1435	
Frame height (at end of frame)		790	800	785
Ground clearance			165	
Cab to rear axle		1975	2275	2875
Cab to end of frame		3230	3530	4270
Maximum body length**		3500	3995	4985
Frame width			700	
Front overhang			995	
Rear overhang		1145	1195	1395
Front axle to front of body			625	
Recommended distance cab to body			100	

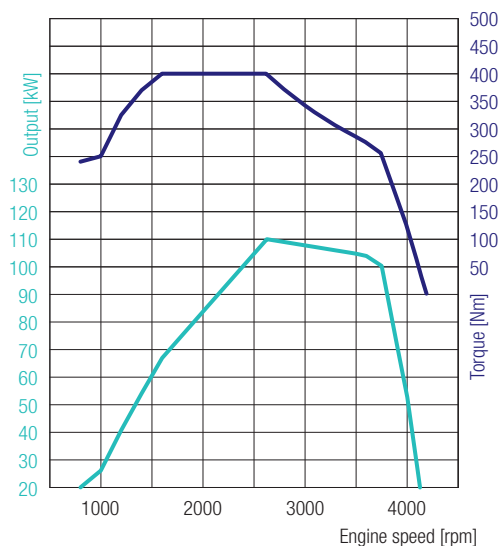
WEIGHTS (KG)

Empty weight*		2215	2230	2260
	Front* / rear*	1505 / 710	1500 / 730	1515 / 745
Minimum vehicle weight		2285	2295	2295
Gross vehicle weight / gross combination weight			6000 / 9000	
Axle loads*	Front / rear		2300 / 4360	
	Towed weight	Braked / unbraked	3000 / 750	
Chassis load bearing capacity*		3785	3770	3740

CALCULATED OUTPUT

Maximum speed	km/h		141	
Minimum turning circle (m)	Kerb to kerb	10.2	11.4	13.4
	Wall to wall	11.4	12.4	14.6

* The weight refers to the base vehicle (European series, including coolant, oil, 90% fuel, tyre sealant, tools and driver with 75 kg) without optional equipment. If any optional equipment is added, the weight changes accordingly. ** Calculated maximum value which should be checked depending on the body and application. Subject to change without notice. All data is approximate. The illustrations may contain accessories and items of optional equipment which are not part of the standard specification. The data sheet may contain product types and support services not available in certain countries.



4P10 – 110 kW (150 PS)
 400 Nm@1600 rpm
 110 kW@2626 rpm

CANTER 6S15 LHD

ENGINE (EURO VI)

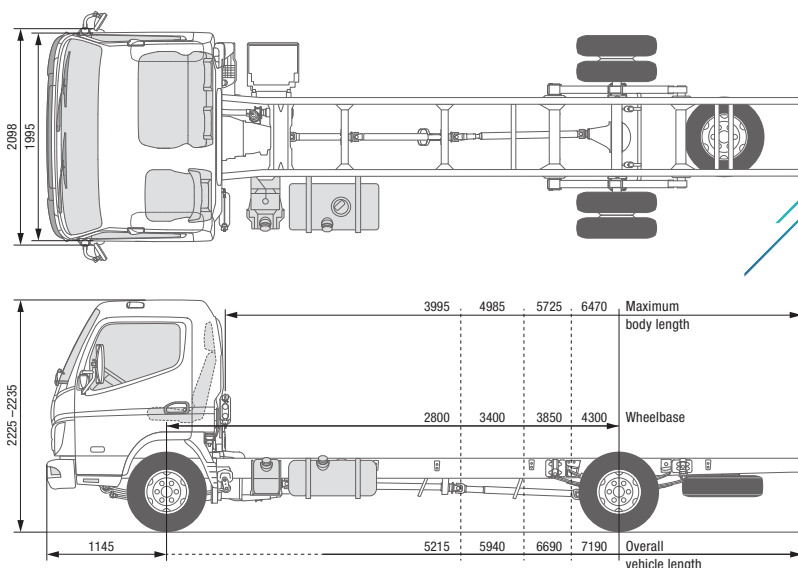
Type	Water-cooled four-stroke diesel engine with turbocharger, intercooler and direct injection		
No. of cylinders	4/in-line		
Capacity	2998 cm ³		
Peak output	110 kW (150 hp) / 2626 rpm		
Rated torque	400 Nm / 1600 rpm		
Diesel particulate filter	Service life approx. 300,000 km		
Alternator	Alternating current 12 V, 140 A		
Exhaust gas aftertreatment	DPF + SCR		
PTO (optional)	Type	31 kW with flange	31 kW for directly connected pumps
	Torque at peak output [Nm]:	196 Nm	
	Gear ratios	1:0.644	1:0.638
	Engine speed at peak output	1500 rpm	

POWERTRAIN

Transmission	Model	Manual gearbox, 5 forward gears, 1 reverse gear
	Gear ratio	5.494 - 3.193 - 1.689 - 1.000 - 0.723 - reverse 5.494
Rear axle gear ratio	Ratio	4.444

CHASSIS

Front axle / rear axle	Model	F200T / R030T
	Load-bearing capacity front/rear	2300 kg / 4360 kg
Tyres		205/75R16C 113/111 Q
		Twin tyres at rear
Wheel		16 x 5 1/2K - 115 - 8t - 5 wheel bolts
Steering		LHD
		Recirculating-ball steering with power assist, tilting telescopic steering column with steering-wheel lock
Brake	Service brake	Hydraulic with vacuum power assist, dual-circuit with load-dependent brake proportioning valve at rear wheels
	Front / rear	Disc brake (235 x 40)
	Parking brake	Mechanical expanding brake on drive shaft at rear of transmission
	Auxiliary brake	Exhaust brake (50 kW)
Suspension	Front / rear	Semi-elliptic leaf spring with shock absorber and stabiliser
Frame	Type	Ladder-type frame with reinforcements and crossmembers
Fuel tank capacity		70 litres
Electrical system – batteries		12 V (100 AH - 760 A(EN))



CANTER 7C15 LHD

MODEL / VEHICLE TYPE

MODEL / VEHICLE TYPE	7C15			
Cab type / crew	Comfort, single cab / 3			
Model variant	46912312	46912512	46912712	46912812
FUSO model code	FEB71CL4SEUX	FEB71EL4SEUX	FEB71GL4SEUX	FEC71HL4SEUX

DIMENSIONS (MM)

Wheelbase	2800	3400	3850	4300
Overall length	5215	5940	6690	7190
Cab length	1625			
Width overall	2098			2137
Cab width	1995			
Height overall	2225	2225	2225	2235
Track width	Front / rear		1665 / 1560	
Frame height (at end of frame)	845			840
Ground clearance	185			
Cab to rear axle	2275	2875	3325	3775
Cab to end of frame	3545	4270	5020	5520
Maximum body length**	3995	4985	5725	6470
Frame width	750			850
Front overhang	1145			
Rear overhang	1195	1395	1695	1745
Front axle to front of body	625			
Recommended distance cab to body	100			

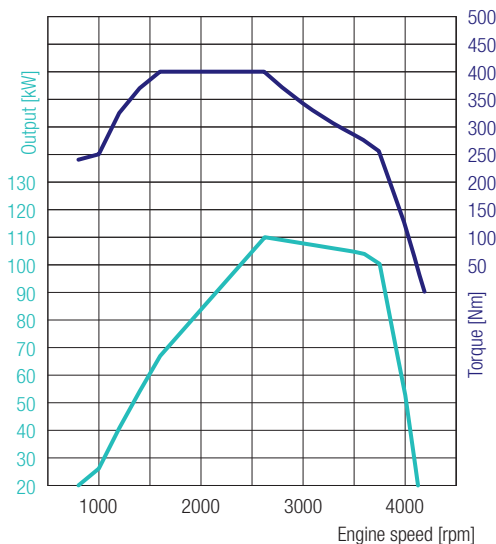
WEIGHTS (KG)

Empty weight*		2520	2550	2570	2615
	Front* / rear*	1645 / 875	1655 / 895	1660 / 910	1670 / 945
Minimum vehicle weight	2660				
Gross vehicle weight / gross combination weight	7490 / 10990				
Axle loads*	Front / rear	3100 / 5800	3100 / 5800	3100 / 5740	3100 / 5680
	Towed weight	Braked / unbraked			
Chassis load bearing capacity*	4970		4940	4920	4875

CALCULATED OUTPUT

Maximum speed	km/h	130			
Minimum turning circle (m)	Kerb to kerb	10.4	12.2	13.8	15.2
	Wall to wall	11.8	13.8	15.2	16.6

* The weight refers to the base vehicle (European series, including coolant, oil, 90% fuel, tyre sealant, tools and driver with 75 kg) without optional equipment. If any optional equipment is added, the weight changes accordingly. ** Calculated maximum value which should be checked depending on the body and application. Subject to change without notice. All data is approximate. The illustrations may contain accessories and items of optional equipment which are not part of the standard specification. The data sheet may contain product types and support services not available in certain countries.



4P10 – 110 kW (150 PS)
 400 Nm@1600 rpm
 110 kW@2626 rpm

CANTER 7C15 LHD

ENGINE (EURO VI)

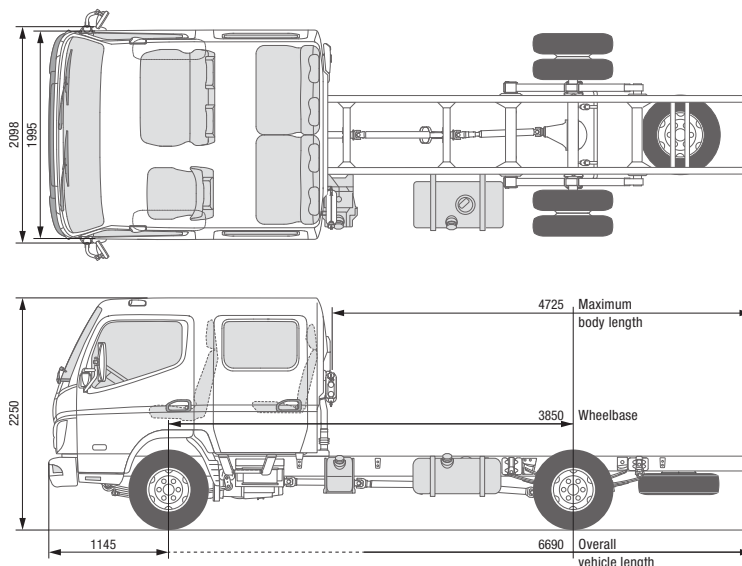
Type	Water-cooled four-stroke diesel engine with turbocharger, intercooler and direct injection			
No. of cylinders	4/in-line			
Capacity	2998 cm ³			
Peak output	110 kW (150 hp) / 2626 rpm			
Rated torque	400 Nm / 1600 rpm			
Diesel particulate filter	Service life approx. 300,000 km			
Alternator	Alternating current 12 V, 140 A			
Exhaust gas aftertreatment	SCR + DPF			
PTO (optional)	Type	31 kW with flange	62 kW with flange	31 kW for directly connected pumps
	Torque at peak output	196 Nm	392 Nm	196 Nm
	Gear ratios	1:0.644	1:0.723	1:0.638
	Engine speed at peak output	1500 rpm		

POWERTRAIN

Transmission	Model	Manual gearbox, 5 forward gears, 1 reverse gear		
	Gear ratio	5.494 - 3.193 - 1.689 - 1.000 - 0.723 - reverse 5.494		
Rear axle gear ratio	Ratio	4.875		

CHASSIS

Front axle / rear axle	Model	F350T / R035T		
	Load-bearing capacity front/rear	3100/5800 kg (2800 mm); 3100/5800 kg (3400 mm); 3100/5740 kg (3850 mm); 3100/5680 kg (4300 mm)		
Tyres		205/75R17.5C 124/122 M		
		Twin tyres at rear, tyres with optimised rolling resistance		
Wheel		17.5 x 6.00 - 127 - 9t - 6 wheel bolts		
Steering		LHD		
		Recirculating-ball steering with power assist, tilting telescopic steering column with steering-wheel lock		
Brake	Service brake	Hydraulic with vacuum power assist, dual-circuit with load-dependent brake proportioning valve at rear wheels		
	Front / rear	Disc brake (252 x 40)		
	Parking brake	Mechanical expanding brake on drive shaft at rear of transmission		
	Auxiliary brake	Exhaust brake (50 kW)		
Suspension	Front / rear	Semi-elliptic leaf spring with shock absorber and stabiliser		
Frame	Type	Ladder-type frame with reinforcements and crossmembers		
Fuel tank capacity		100 litres		
Electrical system – batteries		12 V (100 AH - 760 A(EN))		



CANTER 7C15D

LHD

MODEL / VEHICLE TYPE 7C15D

Cab type / crew	Comfort, crew cab / 7
Model variant	46912714
FUSO model code	FEB71GL4WEUX

DIMENSIONS (MM)

Wheelbase		3850
Overall length		6690
Cab length		2625
Width overall		2098
Cab width		1995
Height overall		2250
Track width	Front / rear	1665 / 1560
Frame height (at end of frame)		845
Ground clearance		185
Cab to rear axle		2325
Cab to end of frame		4020
Maximum body length**		4725
Frame width		750
Front overhang		1145
Rear overhang		1695
Front axle to front of body		1625
Recommended distance cab to body		100

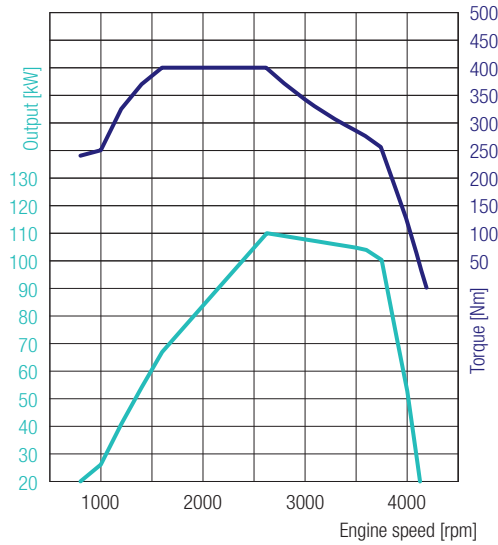
WEIGHTS (KG)

Empty weight*		2785
	Front* / rear*	1800 / 985
Minimum vehicle weight		2860
Gross vehicle weight / gross combination weight		7490 / 10990
Axle loads*	Front / rear	3100 / 5740
Towed weight	Braked / unbraked	3500 / 750
Chassis load bearing capacity*		4705

CALCULATED OUTPUT

Maximum speed	km/h	130
Minimum turning circle (m)	Kerb to kerb	13.8
	Wall to wall	15.2

* The weight refers to the base vehicle (European series, including coolant, oil, 90% fuel, tyre sealant, tools and driver with 75 kg) without optional equipment. If any optional equipment is added, the weight changes accordingly. ** Calculated maximum value which should be checked depending on the body and application. Subject to change without notice. All data is approximate. The illustrations may contain accessories and items of optional equipment which are not part of the standard specification. The data sheet may contain product types and support services not available in certain countries.



4P10 – 110 kW (150 PS)
 400 Nm@1600 rpm
 110 kW@2626 rpm

CANTER 7C15D

LHD

ENGINE (EURO VI)

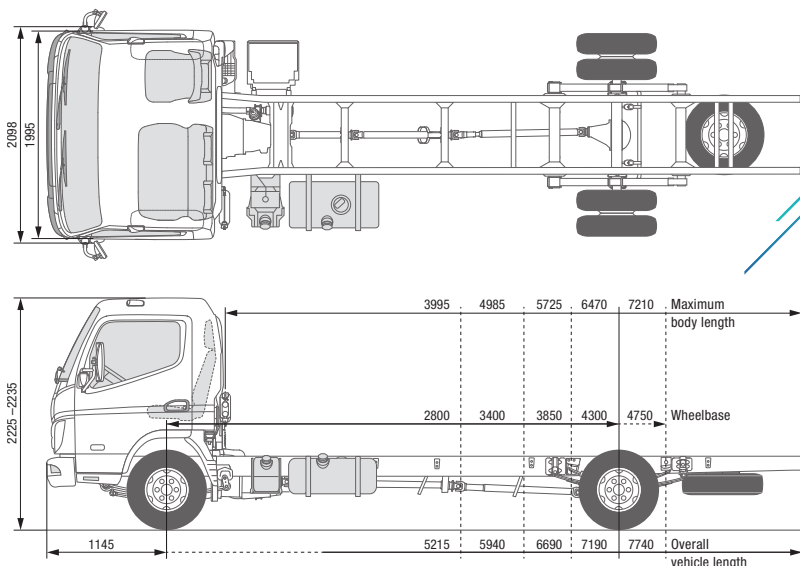
Type	Water-cooled four-stroke diesel engine with turbocharger, intercooler and direct injection			
No. of cylinders	4/in-line			
Capacity	2998 cm ³			
Peak output	110 kW (150 hp) / 2626 rpm			
Rated torque	400 Nm / 1600 rpm			
Diesel particulate filter	Service life approx. 300,000 km			
Alternator	Alternating current 12 V, 140 A			
Exhaust gas aftertreatment	SCR + DPF			
PTO (optional)	Type	31 kW with flange	62 kW with flange	31 kW for directly connected pumps
	Torque at peak output	196 Nm	392 Nm	196 Nm
	Gear ratios	1:0.644	1:0.723	1:0.638
	Engine speed at peak output	1500 rpm		

POWERTRAIN

Transmission	Model	Manual gearbox, 5 forward gears, 1 reverse gear
	Gear ratio	5.494 - 3.193 - 1.689 - 1.000 - 0.723 - reverse 5.494
Rear axle gear ratio	Ratio	4.875

CHASSIS

Front axle / rear axle	Model	F350T / R035T
	Load-bearing capacity front/rear	3100 kg / 5740 kg
Tyres		205/75R17.5C 124/122 M
		Twin tyres at rear, tyres with optimised rolling resistance
Wheel		17.5 x 6.00 - 127 - 9t - 6 wheel bolts
Steering		LHD
		Recirculating-ball steering with power assist, tilting telescopic steering column with steering-wheel lock
Brake	Service brake	Hydraulic with vacuum power assist, dual-circuit with load-dependent brake proportioning valve at rear wheels
	Front / rear	Disc brake (252 x 40)
	Parking brake	Mechanical expanding brake on drive shaft at rear of transmission
	Auxiliary brake	Exhaust brake (50 kW)
Suspension	Front / rear	Semi-elliptic leaf spring with shock absorber and stabiliser
Frame	Type	Ladder-type frame with reinforcements and crossmembers
Fuel tank capacity		100 litres
Electrical system – batteries		12 V (100 AH - 760 A(EN))



CANTER 7C15 RHD

MODEL / VEHICLE TYPE 7C15

Cab type / crew	Comfort, single cab / 3				
Model variant	46912322	46912522	46912722	46912822	46912925
FUSO model code	FEB71CR4SEUX	FEB71ER4SEUX	FEB71GR4SEUX	FEC71HR4SEUX	FEC71KR4SEUX

DIMENSIONS (MM)

Wheelbase		2800	3400	3850	4300	4750
Overall length		5215	5940	6690	7190	7740
Cab length		1625				
Width overall		2098			2137	
Cab width		1995				
Height overall		2225	2225	2225	2235	2235
Track width	Front / rear	1665 / 1560			1665 / 1670	
Frame height (at end of frame)		845			840	845
Ground clearance		185				
Cab to rear axle		2275	2875	3325	3775	4225
Cab to end of frame		3545	4270	5020	5520	6070
Maximum body length**		3995	4985	5725	6470	7210
Frame width		750			850	
Front overhang		1145				
Rear overhang		1195	1395	1695	1745	1845
Front axle to front of body		625				
Recommended distance cab to body		100				

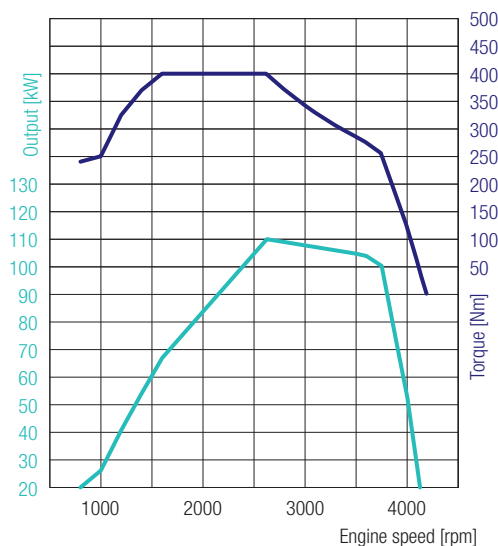
WEIGHTS (KG)

Empty weight*		2520	2550	2570	2615	2635
	Front* / rear*	1645 / 875	1655 / 895	1660 / 910	1670 / 945	1700 / 935
Minimum vehicle weight		2660				
Gross vehicle weight / gross combination weight		7490 / 10990				
Axle loads*	Front / rear	3100 / 5800	3100 / 5800	3100 / 5740	3100 / 5680	3100 / 5640
	Towed weight	Braked / unbraked 3500 / 750				
Chassis load bearing capacity*		4970	4940	4920	4885	4855

CALCULATED OUTPUT

Maximum speed	km/h	130				
Minimum turning circle (m)	Kerb to kerb	10.4	12.2	13.8	15.2	16.6
	Wall to wall	11.8	13.8	15.2	16.6	18.0

* The weight refers to the base vehicle (European series, including coolant, oil, 90% fuel, tyre sealant, tools and driver with 75 kg) without optional equipment. If any optional equipment is added, the weight changes accordingly. ** Calculated maximum value which should be checked depending on the body and application. Subject to change without notice. All data is approximate. The illustrations may contain accessories and items of optional equipment which are not part of the standard specification. The data sheet may contain product types and support services not available in certain countries.



4P10 – 110 kW (150 PS)
 400 Nm@1600 rpm
 110 kW@2626 rpm

CANTER 7C15 RHD

ENGINE (EURO VI)

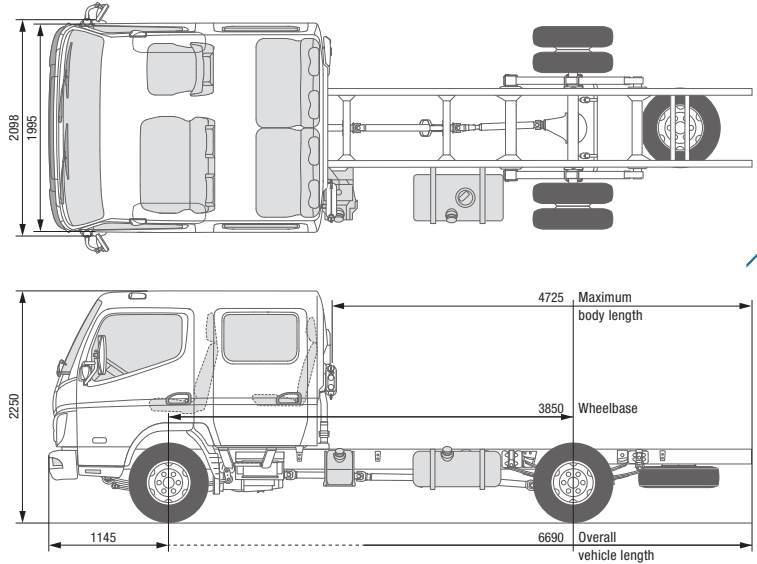
Type	Water-cooled four-stroke diesel engine with turbocharger, intercooler and direct injection			
No. of cylinders	4/in-line			
Capacity	2998 cm ³			
Peak output	110 kW (150 hp) / 2626 rpm			
Rated torque	400 Nm / 1600 rpm			
Diesel particulate filter	Service life approx. 300,000 km			
Alternator	Alternating current 12 V, 140 A			
Exhaust gas aftertreatment	SCR + DPF			
PTO (optional)	Type	31 kW with flange	62 kW with flange	31 kW for directly connected pumps
	Torque at peak output	196 Nm	392 Nm	196 Nm
	Gear ratios	1:0.644	1:0.723	1:0.638
	Engine speed at peak output	1500 rpm		

POWERTRAIN

Transmission	Model	Manual gearbox, 5 forward gears, 1 reverse gear
	Gear ratio	5.494 - 3.193 - 1.689 - 1.000 - 0.723 - reverse 5.494
Rear axle gear ratio	Ratio	4.875

CHASSIS

Front axle / rear axle	Model	F350T / R035T
	Load-bearing capacity front/rear	3.1/5.8 t (2.80 m); 3.1/5.8 t (3.4 m); 3.1/5.74 t (3.85 m); 3.1/5.68 t (4.3 m); 3.1/5.64 t (4.75 m)
Tyres		205/75R17.5C 124/122 M
		Tyres with optimised rolling resistance
Wheel		17.5 x 6.00 - 127 - 9t - 6 wheel bolts
Steering		RHD
		Recirculating-ball steering with power assist, tilting telescopic steering column with steering-wheel lock
Brake	Service brake	Hydraulic with vacuum power assist, dual-circuit with load-dependent brake proportioning valve at rear wheels
	Front / rear	Disc brake (252 x 40)
	Parking brake	Mechanical expanding brake on drive shaft at rear of transmission
	Auxiliary brake	Exhaust brake (50 kW)
Suspension	Front / rear	Semi-elliptic leaf spring with shock absorber and stabiliser
Frame	Type	Ladder-type frame with reinforcements and crossmembers
Fuel tank capacity		100 litres
Electrical system – batteries		12 V (100 AH - 760 A(EN))



CANTER 7C15D RHD

MODEL / VEHICLE TYPE

Cab type / crew	Comfort, crew cab / 7
Model variant	46912724
FUSO model code	FEB71GR4WEUX

DIMENSIONS (MM)

Wheelbase		3850
Overall length		6690
Cab length		2625
Width overall		2098
Cab width		1995
Height overall		2250
Track width	Front / rear	1665 / 1560
Frame height (at end of frame)		845
Ground clearance		185
Cab to rear axle		2325
Cab to end of frame		4020
Maximum body length**		4725
Frame width		750
Front overhang		1145
Rear overhang		1695
Front axle to front of body		1625
Recommended distance cab to body		100

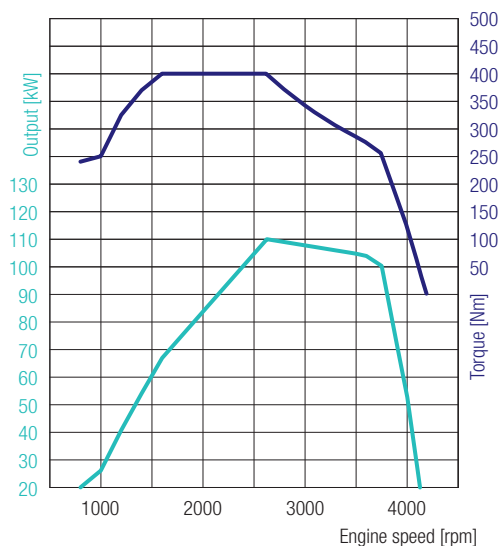
WEIGHTS (KG)

Empty weight*		2785
	Front* / rear*	1800 / 985
Minimum vehicle weight		2860
Gross vehicle weight / gross combination weight		7490 / 10990
Axle loads*	Front / rear	3100 / 5740
Towed weight	Braked / unbraked	3500 / 750
Chassis load bearing capacity*		4705

CALCULATED OUTPUT

Maximum speed	km/h	130
Minimum turning circle (m)	Kerb to kerb	13.8
	Wall to wall	15.2

* The weight refers to the base vehicle (European series, including coolant, oil, 90% fuel, tyre sealant, tools and driver with 75 kg) without optional equipment. If any optional equipment is added, the weight changes accordingly. ** Calculated maximum value which should be checked depending on the body and application.
Subject to change without notice. All data is approximate. The illustrations may contain accessories and items of optional equipment which are not part of the standard specification. The data sheet may contain product types and support services not available in certain countries.



4P10 – 110 kW (150 PS)
 400 Nm@1600 rpm
 110 kW@2626 rpm

CANTER 7C15D RHD

ENGINE (EURO VI)

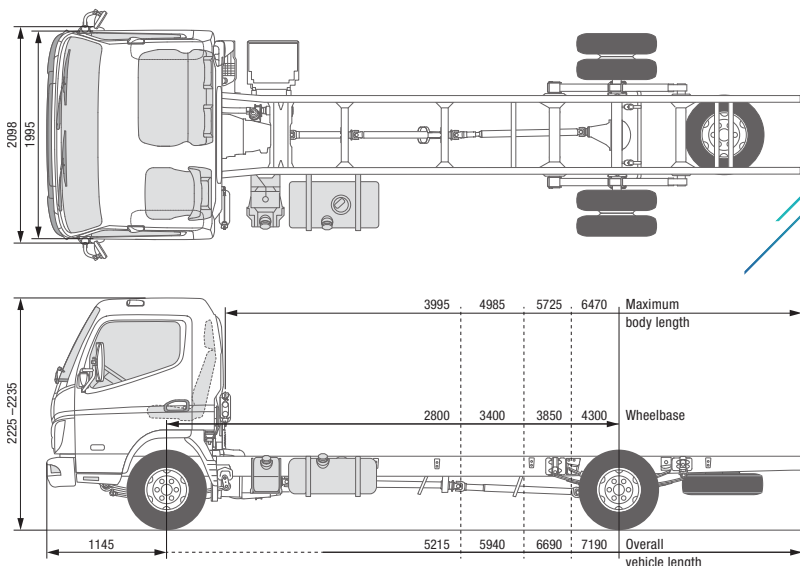
Type	Water-cooled four-stroke diesel engine with turbocharger, intercooler and direct injection			
No. of cylinders	4/in-line			
Capacity	2998 cm ³			
Peak output	110 kW (150 hp) / 2626 rpm			
Rated torque	400 Nm / 1600 rpm			
Diesel particulate filter	Service life approx. 300,000 km			
Alternator	Alternating current 12 V, 140 A			
Exhaust gas aftertreatment	SCR + DPF			
PTO (optional)	Type	31 kW with flange	62 kW with flange	31 kW for directly connected pumps
	Torque at peak output	196 Nm	392 Nm	196 Nm
	Gear ratios	1:0.644	1:0.723	1:0.638
	Engine speed at peak output	1500 rpm		

POWERTRAIN

Transmission	Model	Manual gearbox, 5 forward gears, 1 reverse gear
	Gear ratio	5.494 - 3.193 - 1.689 - 1.000 - 0.723 - reverse 5.494
Rear axle gear ratio	Ratio	4.875

CHASSIS

Front axle / rear axle	Model	F350T / R035T
	Load-bearing capacity front/rear	3100 kg / 5740 kg
Tyres		205/75R17.5C 124/122 M
		Twin tyres at rear, tyres with optimised rolling resistance
Wheel		17.5 x 6.00 - 127 - 9t - 6 wheel bolts
Steering		RHD
		Recirculating-ball steering with power assist, tilting telescopic steering column with steering-wheel lock
Brake	Service brake	Hydraulic with vacuum power assist, dual-circuit with load-dependent brake proportioning valve at rear wheels
	Front / rear	Disc brake (252 x 40)
	Parking brake	Mechanical expanding brake on drive shaft at rear of transmission
	Auxiliary brake	Exhaust brake (50 kW)
Suspension	Front / rear	Semi-elliptic leaf spring with shock absorber and stabiliser
Frame	Type	Ladder-type frame with reinforcements and crossmembers
Fuel tank capacity		100 litres
Electrical system – batteries		12 V (100 AH - 760 A(EN))



CANTER 7C15 DUONIC® 2.0 LHD

MODEL / VEHICLE TYPE 7C15

Cab type / crew	Comfort, single cab / 3			
Model variant	46913312	46913512	46913712	46913812
FUSO model code	FEB71CL3SEUX	FEB71EL3SEUX	FEB71GL3SEUX	FEC71HL3SEUX

DIMENSIONS (MM)

Wheelbase		2800	3400	3850	4300
Overall length		5215	5940	6690	7190
Cab length		1625			
Width overall		2098			
Cab width		1995			
Height overall		2225	2225	2225	2235
Track width	Front / rear	1665 / 1560			1665 / 1670
Frame height (at end of frame)		845			840
Ground clearance		185			
Cab to rear axle		2275	2875	3325	3775
Cab to end of frame		3545	4270	5020	5520
Maximum body length**		3995	4985	5725	6470
Frame width		750			850
Front overhang		1145			
Rear overhang		1195	1395	1695	1745
Front axle to front of body		625			
Recommended distance cab to body		100			

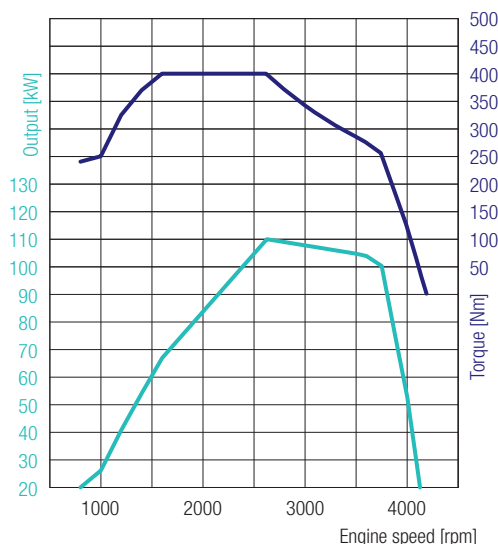
WEIGHTS (KG)

Empty weight*		2530	2565	2585	2625
	Front* / rear*	1655 / 875	1665 / 900	1675 / 910	1685 / 940
Minimum vehicle weight		2660			
Gross vehicle weight / gross combination weight		7490 / 10990			
Axle loads*	Front / rear	3100 / 5800	3100 / 5800	3100 / 5740	3100 / 5680
	Towed weight	Braked / unbraked 3500 / 750			
Chassis load bearing capacity*		4960	4925	4905	4865

CALCULATED OUTPUT

Maximum speed	km/h	130			
Minimum turning circle (m)	Kerb to kerb	10.4	12.2	13.8	15.2
	Wall to wall	11.8	13.8	15.2	16.6

* The weight refers to the base vehicle (European series, including coolant, oil, 90% fuel, tyre sealant, tools and driver with 75 kg) without optional equipment. If any optional equipment is added, the weight changes accordingly. ** Calculated maximum value which should be checked depending on the body and application. Subject to change without notice. All data is approximate. The illustrations may contain accessories and items of optional equipment which are not part of the standard specification. The data sheet may contain product types and support services not available in certain countries.



4P10 – 110 kW (150 PS)
 400 Nm@1600 rpm
 110 kW@2626 rpm

CANTER 7C15 DUONIC® 2.0 LHD

ENGINE (EURO VI)

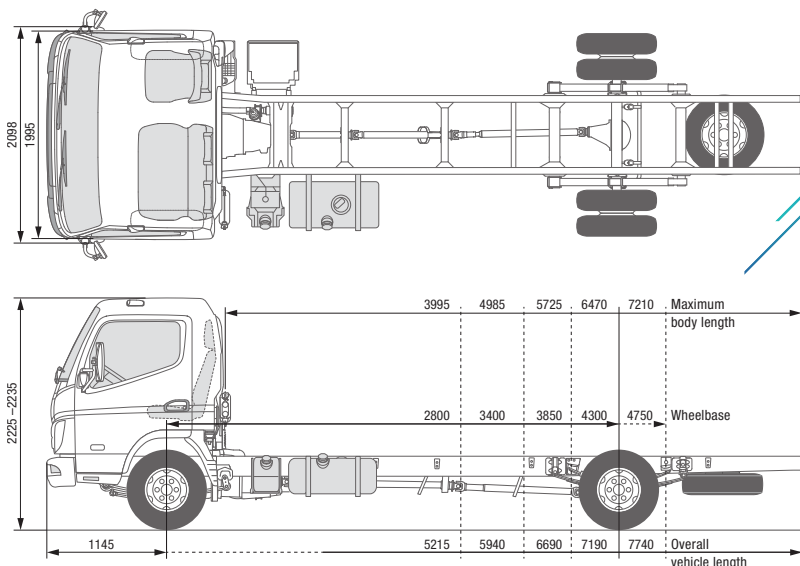
Type	Water-cooled four-stroke diesel engine with turbocharger, intercooler and direct injection			
No. of cylinders	4/in-line			
Capacity	2998 cm ³			
Peak output	110 kW (150 hp) / 2626 rpm			
Rated torque	400 Nm / 1600 rpm			
Diesel particulate filter	Service life approx. 300,000 km			
Alternator	Alternating current 12 V, 140 A			
Exhaust gas aftertreatment	SCR + DPF			
PTO (optional)	Type	31 kW with flange	62 kW with flange	31 kW for directly connected pumps
	Torque at peak output	196 Nm	392 Nm	196 Nm
	Gear ratios	1:0.655	1:0.727	1:0.651
	Engine speed at peak output	1500 rpm		

POWERTRAIN

Transmission	Model	DUONIC® 2.0: Automated transmission with dual clutch, 6 forward speeds and 1 reverse gear
	Gear ratio	5.397 - 3.788 - 2.310 - 1.474 - 1.000 - 0.701 - reverse 5.397
Rear axle gear ratio	Ratio	4.875

CHASSIS

Front axle / rear axle	Model	F350T / R035T
	Load-bearing capacity front/rear	3100 kg / 5680 kg
Tyres		205/75R17.5C 124/122 M
		Twin tyres at rear, tyres with optimised rolling resistance
Wheel		17.5 x 6.00 - 127 - 9t - 6 wheel bolts
Steering		LHD
		Recirculating-ball steering with power assist, tilting telescopic steering column with steering-wheel lock
Brake	Service brake	Hydraulic with vacuum power assist, dual-circuit with load-dependent brake proportioning valve at rear wheels
	Front / rear	Disc brake (252 x 40)
	Parking brake	Mechanical expanding brake on drive shaft at rear of transmission
	Auxiliary brake	Exhaust brake (50 kW)
Suspension	Front / rear	Semi-elliptic leaf spring with shock absorber and stabiliser
Frame	Type	Ladder-type frame with reinforcements and crossmembers
Fuel tank capacity		100 litres
Electrical system – batteries		12 V (100 AH - 760 A(EN))



CANTER 7C15 DUONIC® 2.0 RHD

MODEL / VEHICLE TYPE 7C15

Cab type / crew	Comfort, single cab / 3				
Model variant	46913322	46913522	46913722	46913822	46913925
FUSO model code	FEB71CR3SEUX	FEB71ER3SEUX	FEB71GR3SEUX	FEC71HR3SEUX	FEC71KR3SEUX

DIMENSIONS (MM)

Wheelbase		2800	3400	3850	4300	4750
Overall length		5215	5940	6690	7190	7740
Cab length		1625				
Width overall		2098			2137	
Cab width		1995				
Height overall		2225			2235	
Track width	Front / rear	1665 / 1560			1665 / 1670	
Frame height (at end of frame)		845			840	845
Ground clearance		185				
Cab to rear axle		2275	2875	3325	3775	4225
Cab to end of frame		3545	4270	5020	5520	6070
Maximum body length**		3995	4985	5725	6470	7210
Frame width		750			850	
Front overhang		1145				
Rear overhang		1195	1395	1695	1745	1845
Front axle to front of body		625				
Recommended distance cab to body		100				

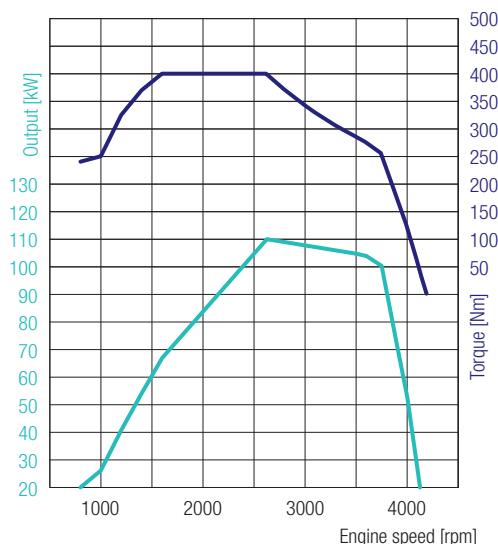
WEIGHTS (KG)

Empty weight*		2530	2565	2585	2625	2645
	Front* / rear*	1655 / 875	1655 / 900	1675 / 910	1685 / 940	1700 / 945
Minimum vehicle weight		2660				
Gross vehicle weight / gross combination weight		7490 / 10990				
Axle loads*	Front / rear	3100 / 5800	3100 / 5800	3100 / 5740	3100 / 5680	3100 / 5640
Towed weight	Braked / unbraked	3500 / 750				
Chassis load bearing capacity*		4960	4925	4905	4865	4865

CALCULATED OUTPUT

Maximum speed	km/h	130				
Minimum turning circle (m)	Kerb to kerb	10.4	12.2	13.8	15.2	16.6
	Wall to wall	11.8	13.8	15.2	16.6	18.0

* The weight refers to the base vehicle (European series, including coolant, oil, 90% fuel, tyre sealant, tools and driver with 75 kg) without optional equipment. If any optional equipment is added, the weight changes accordingly. ** Calculated maximum value which should be checked depending on the body and application. Subject to change without notice. All data is approximate. The illustrations may contain accessories and items of optional equipment which are not part of the standard specification. The data sheet may contain product types and support services not available in certain countries.



CANTER 7C15 DUONIC® 2.0 RHD

4P10 – 110 kW (150 PS)
 400 Nm@1600 rpm
 110 kW@2626 rpm

ENGINE (EURO VI)

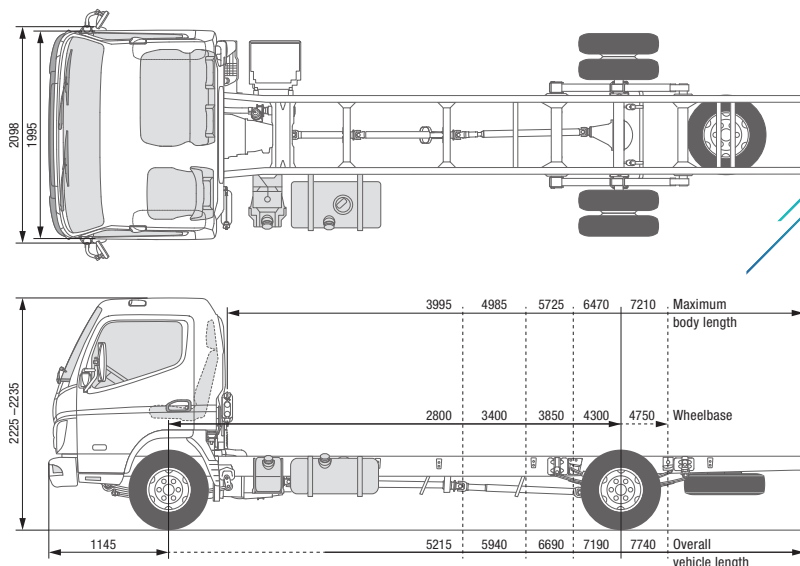
Type	Water-cooled four-stroke diesel engine with turbocharger, intercooler and direct injection			
No. of cylinders	4/in-line			
Capacity	2998 cm ³			
Peak output	110 kW (150 hp) / 2626 rpm			
Rated torque	400 Nm / 1600 rpm			
Diesel particulate filter	Service life approx. 300,000 km			
Alternator	Alternating current 12 V, 140 A			
Exhaust gas aftertreatment	SCR + DPF			
PTO (optional)	Type	31 kW with flange	62 kW with flange	31 kW for directly connected pumps
	Torque at peak output	196 Nm	392 Nm	196 Nm
	Gear ratios	1:0.655	1:0.727	1:0.651
	Engine speed at peak output	1500 rpm		

POWERTRAIN

Transmission	Model	DUONIC® 2.0: Automated transmission with dual clutch, 6 forward speeds and 1 reverse gear
	Gear ratio	5.397 - 3.788 - 2.310 - 1.474 - 1.000 - 0.701 - reverse 5.397
Rear axle gear ratio	Ratio	4.875

CHASSIS

Front axle / rear axle	Model	F350T / R035T
	Load-bearing capacity front/rear	3.1/5.8 t (2.80 m); 3.1/5.8 t (3.4 m); 3.1/5.74 t (3.85 m); 3.1/5.68 t (4.3 m); 3.1/5.64 t (4.75 m)
Tyres		205/75R17.5C 124/122 M
		Twin tyres at rear, tyres with optimised rolling resistance
Wheel		17.5 x 6.00 - 127 - 9t - 6 wheel bolts
Steering		RHD
		Recirculating-ball steering with power assist, tilting telescopic steering column with steering-wheel lock
Brake	Service brake	Hydraulic with vacuum power assist, dual-circuit with load-dependent brake proportioning valve at rear wheels
	Front / rear	Disc brake (252 x 40)
	Parking brake	Mechanical expanding brake on drive shaft at rear of transmission
	Auxiliary brake	Exhaust brake (50 kW)
Suspension	Front / rear	Semi-elliptic leaf spring with shock absorber and stabiliser
Frame	Type	Ladder-type frame with reinforcements and crossmembers
Fuel tank capacity		100 litres
Electrical system – batteries		12 V (100 AH - 760 A(EN))



CANTER 7C18

LHD

MODEL / VEHICLE TYPE 7C18

Cab type / crew	Comfort, single cab / 3				
Model variant	46915312	46915512	46915712	46915812	46915915
FUSO model code	FEB71CL4SEUY	FEB71EL4SEUY	FEB71GL4SEUY	FEC71HL4SEUY	FEC71KL4SEUY

DIMENSIONS (MM)

Wheelbase		2800	3400	3850	4300	4750
Overall length		5215	5940	6690	7190	7740
Cab length		1625				
Width overall		2098			2137	
Cab width		1995				
Height overall		2225			2235	
Track width	Front / rear	1665 / 1560			1665 / 1670	
Frame height (at end of frame)		845			840	845
Ground clearance		185				
Cab to rear axle		2275	2875	3325	3775	4225
Cab to end of frame		3545	4270	5020	5520	6070
Maximum body length**		3995	4985	5725	6470	7210
Frame width		750			850	
Front overhang		1145				
Rear overhang		1195	1395	1695	1745	1845
Front axle to front of body		625				
Recommended distance cab to body		100				

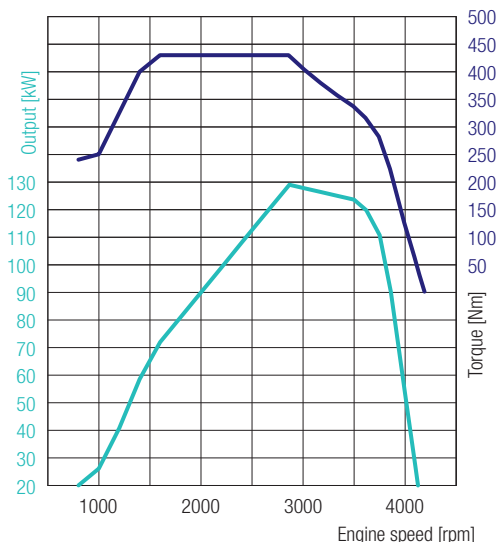
WEIGHTS (KG)

Empty weight*		2520	2550	2570	2615	2635
	Front* / rear*	1645 / 875	1655 / 895	1660 / 910	1670 / 945	1700 / 935
Minimum vehicle weight		2660				
Gross vehicle weight / gross combination weight		7490 / 10990				
Axle loads*	Front / rear	3100 / 5800	3100 / 5800	3100 / 5740	3100 / 5680	3100 / 5640
	Towed weight	Braked / unbraked				
Chassis load bearing capacity*		4970	4940	4920	4875	4855

CALCULATED OUTPUT

Maximum speed	km/h	130				
Minimum turning circle (m)	Kerb to kerb	12.2	12.2	13.8	15.2	16.6
	Wall to wall	13.8	13.8	15.2	16.6	18.0

* The weight refers to the base vehicle (European series, including coolant, oil, 90% fuel, tyre sealant, tools and driver with 75 kg) without optional equipment. If any optional equipment is added, the weight changes accordingly. ** Calculated maximum value which should be checked depending on the body and application. Subject to change without notice. All data is approximate. The illustrations may contain accessories and items of optional equipment which are not part of the standard specification. The data sheet may contain product types and support services not available in certain countries.



CANTER 7C18 LHD

4P10 – 129 kW (175 PS)
430 Nm@1600 rpm
129 kW@2865 rpm

ENGINE (EURO VI)

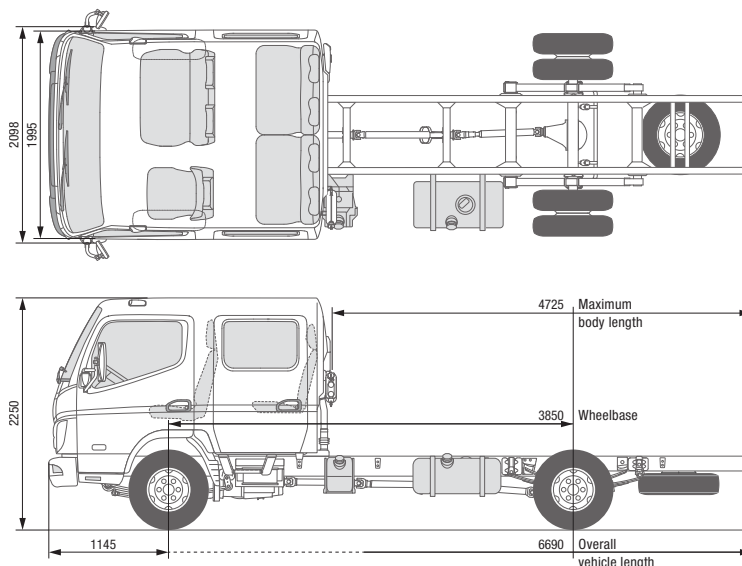
Type	Water-cooled four-stroke diesel engine with turbocharger, intercooler and direct injection			
No. of cylinders	4/in-line			
Capacity	2998 cm ³			
Peak output	129 kW (175 hp) / 2865 rpm			
Rated torque	430 Nm / 1600 rpm			
Diesel particulate filter	Service life approx. 300,000 km			
Alternator	Alternating current 12 V, 140 A			
Exhaust gas aftertreatment	SCR + DPF			
PTO (optional)	Type	31 kW with flange	62 kW with flange	31 kW for directly connected pumps
	Torque at peak output	196 Nm	392 Nm	196 Nm
	Gear ratios	1:0.644	1:0.723	1:0.638
	Engine speed at peak output	1500 rpm		

POWERTRAIN

Transmission	Model	Manual gearbox, 5 forward gears, 1 reverse gear
	Gear ratio	5.494 - 3.193 - 1.689 - 1.000 - 0.723 - reverse 5.494
Rear axle gear ratio	Ratio	4.875

CHASSIS

Front axle / rear axle	Model	F350T / R035T
	Load-bearing capacity front/rear	3.1/5.8 t (2.80 m); 3.1/5.8 t (3.4 m); 3.1/5.74 t (3.85 m); 3.1/5.68 t (4.3 m); 3.1/5.64 t (4.75 m)
Tyres		205/75R17.5C 124/122 M
		Twin tyres at rear, tyres with optimised rolling resistance
Wheel		17.5 x 6.00 - 127 - 9t - 6 wheel bolts
Steering		LHD
		Recirculating-ball steering with power assist, tilting telescopic steering column with steering-wheel lock
Brake	Service brake	Hydraulic with vacuum power assist, dual-circuit with load-dependent brake proportioning valve at rear wheels
	Front / rear	Disc brake (252 x 40)
	Parking brake	Mechanical expanding brake on drive shaft at rear of transmission
	Auxiliary brake	Exhaust brake (50 kW)
Suspension	Front / rear	Semi-elliptic leaf spring with shock absorber and stabiliser
Frame	Type	Ladder-type frame with reinforcements and crossmembers
Fuel tank capacity		100 litres
Electrical system – batteries		12 V (100 AH - 760 A(EN))



CANTER 7C18D LHD

MODEL / VEHICLE TYPE 7C18D

Cab type / crew	Comfort, crew cab / 7
Model variant	46915714
FUSO model code	FEB71GL4WEUY

DIMENSIONS (MM)

Wheelbase		3850
Overall length		6690
Cab length		2625
Width overall		2098
Cab width		1995
Height overall		2250
Track width	Front / rear	1665 / 1560
Frame height (at end of frame)		845
Ground clearance		185
Cab to rear axle		2325
Cab to end of frame		4020
Maximum body length**		4725
Frame width		750
Front overhang		1145
Rear overhang		1695
Front axle to front of body		1625
Recommended distance cab to body		100

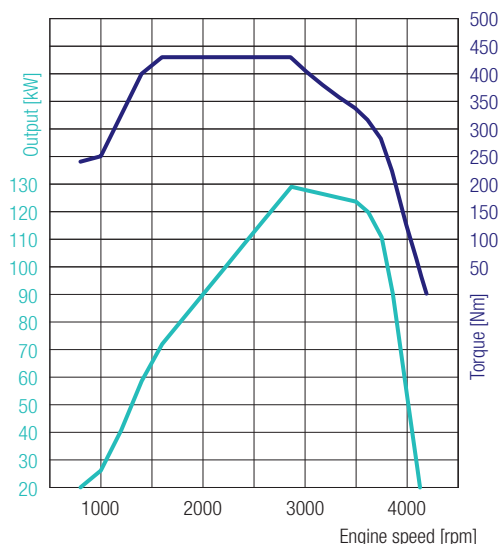
WEIGHTS (KG)

Empty weight*		2785
	Front* / rear*	1800 / 985
Minimum vehicle weight		2860
Gross vehicle weight / gross combination weight		7490 / 10990
Axle loads*	Front / rear	3100 / 5740
Towed weight	Braked / unbraked	3500 / 750
Chassis load bearing capacity*		4705

CALCULATED OUTPUT

Maximum speed	km/h	130
Minimum turning circle (m)	Kerb to kerb	13.8
	Wall to wall	15.2

* The weight refers to the base vehicle (European series, including coolant, oil, 90% fuel, tyre sealant, tools and driver with 75 kg) without optional equipment. If any optional equipment is added, the weight changes accordingly. ** Calculated maximum value which should be checked depending on the body and application. Subject to change without notice. All data is approximate. The illustrations may contain accessories and items of optional equipment which are not part of the standard specification. The data sheet may contain product types and support services not available in certain countries.



4P10 – 129 kW (175 PS)
 430 Nm@1600 rpm
 129 kW@2865 rpm

CANTER 7C18D LHD

ENGINE (EURO VI)

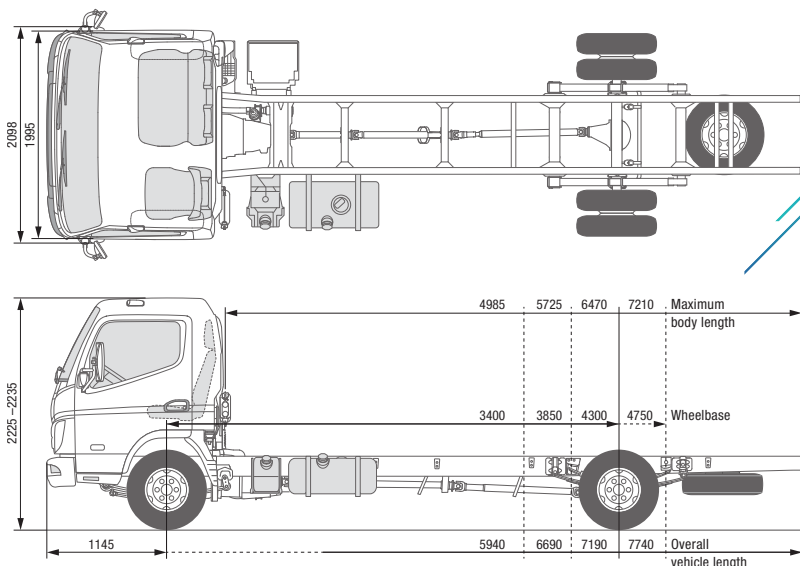
Type	Water-cooled four-stroke diesel engine with turbocharger, intercooler and direct injection			
No. of cylinders	4/in-line			
Capacity	2998 cm ³			
Peak output	129 kW (175 hp) / 2865 rpm			
Rated torque	430 Nm / 1600 rpm			
Diesel particulate filter	Service life approx. 300,000 km			
Alternator	Alternating current 12 V, 140 A			
Exhaust gas aftertreatment	SCR + DPF			
PTO (optional)	Type	31 kW with flange	62 kW with flange	31 kW for directly connected pumps
	Torque at peak output	196 Nm	392 Nm	196 Nm
	Gear ratios	1:0.644	1:0.723	1:0.638
	Engine speed at peak output	1500 rpm		

POWERTRAIN

Transmission	Model	Manual gearbox, 5 forward gears, 1 reverse gear
	Gear ratio	5.494 - 3.193 - 1.689 - 1.000 - 0.723 - reverse 5.494
Rear axle gear ratio	Ratio	4.875

CHASSIS

Front axle / rear axle	Model	F350T / R035T
	Load-bearing capacity front/rear	3100 kg / 5740 kg
Tyres		205/75R17.5C 124/122 M
		Tyres with optimised rolling resistance
Wheel		17.5 x 6.00 - 127 - 9t - 6 wheel bolts
Steering		LHD
		Recirculating-ball steering with power assist, tilting telescopic steering column with steering-wheel lock
Brake	Service brake	Hydraulic with vacuum power assist, dual-circuit with load-dependent brake proportioning valve at rear wheels
	Front / rear	Disc brake (252 x 40)
	Parking brake	Mechanical expanding brake on drive shaft at rear of transmission
	Auxiliary brake	Exhaust brake (50 kW)
Suspension	Front / rear	Semi-elliptic leaf spring with shock absorber and stabiliser
Frame	Type	Ladder-type frame with reinforcements and crossmembers
Fuel tank capacity		100 litres
Electrical system – batteries		12 V (100 AH - 760 A(EN))



CANTER 7C18 DUONIC® 2.0 LHD

MODEL / VEHICLE TYPE

	7C18			
Cab type / crew	Comfort, single cab / 3			
Model variant	46916512	46916712	46916812	46916915
FUSO model code	FEB71EL3SEUY	FEB71GL3SEUY	FEC71HL3SEUY	FEC71KL3SEUY

DIMENSIONS (MM)

Wheelbase		3400	3850	4300	4750
Overall length		5940	6690	7190	7740
Cab length		1625			
Width overall		2098		2137	
Cab width		1995			
Height overall		2225		2235	
Track width	Front / rear	1665 / 1560		1665 / 1670	
Frame height (at end of frame)		830			
Ground clearance		185			
Cab to rear axle		2875	3325	3775	4225
Cab to end of frame		4270	5020	5520	6070
Maximum body length**		4985	5725	6470	7210
Frame width		750		850	
Front overhang		1145			
Rear overhang		1395	1695	1745	1845
Front axle to front of body		625			
Recommended distance cab to body		100			

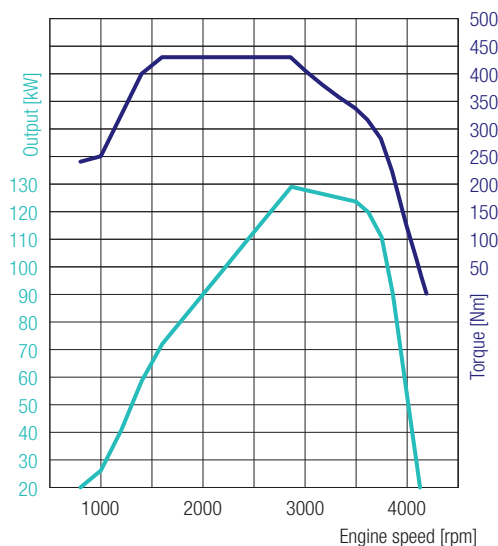
WEIGHTS (KG)

Empty weight*		2565	2585	2625	2645
	Front* / rear*	1665 / 900	1675 / 910	1685 / 940	1700 / 945
Minimum vehicle weight		2660			
Gross vehicle weight / gross combination weight		7490 / 10990			
Axle loads*	Front / rear	3100 / 5800	3100 / 5740	3100 / 5680	3100 / 5640
	Towed weight	Braked / unbraked 3500 / 750			
Chassis load bearing capacity*		4925	4905	4865	4865

CALCULATED OUTPUT

Maximum speed	km/h	130			
Minimum turning circle (m)	Kerb to kerb	12.2	13.8	15.2	16.6
	Wall to wall	13.8	15.2	16.6	18.0

* The weight refers to the base vehicle (European series, including coolant, oil, 90% fuel, tyre sealant, tools and driver with 75 kg) without optional equipment. If any optional equipment is added, the weight changes accordingly. ** Calculated maximum value which should be checked depending on the body and application. Subject to change without notice. All data is approximate. The illustrations may contain accessories and items of optional equipment which are not part of the standard specification. The data sheet may contain product types and support services not available in certain countries.



4P10 – 129 kW (175 PS)
 430 Nm@1600 rpm
 129 kW@2865 rpm

CANTER 7C18 DUONIC® 2.0 LHD

ENGINE (EURO VI)

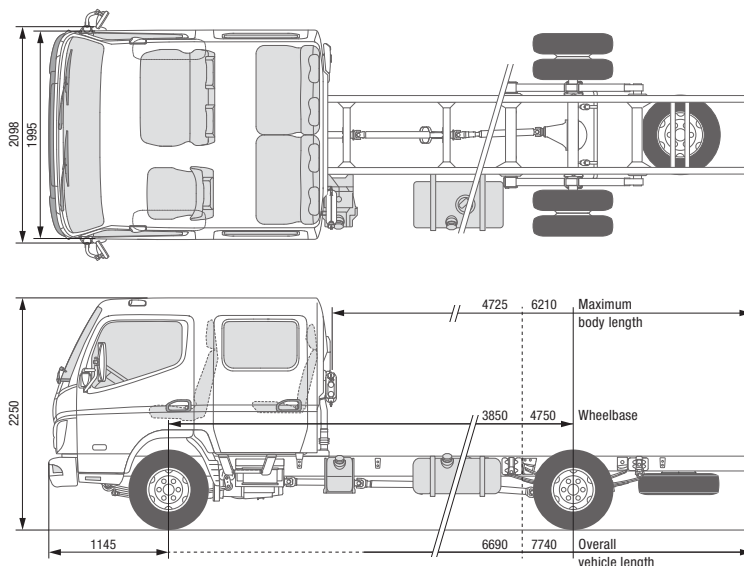
Type	Water-cooled four-stroke diesel engine with turbocharger, intercooler and direct injection			
No. of cylinders	4/in-line			
Capacity	2998 cm ³			
Peak output	129 kW (175 hp) / 2865 rpm			
Rated torque	430 Nm / 1600 rpm			
Diesel particulate filter	Service life approx. 300,000 km			
Alternator	Alternating current 12 V, 140 A			
Exhaust gas aftertreatment	SCR + DPF			
PTO (optional)	Type	31 kW with flange	62 kW with flange	31 kW for directly connected pumps
	Torque at peak output	196 Nm	392 Nm	196 Nm
	Gear ratios	1:0.655	1:0.727	1:0.651
	Engine speed at peak output	1500 rpm		

POWERTRAIN

Transmission	Model	DUONIC® 2.0: Automated transmission with dual clutch, 6 forward speeds and 1 reverse gear
	Gear ratio	5.397 - 3.788 - 2.310 - 1.474 - 1.000 - 0.701 - reverse 5.397
Rear axle gear ratio	Ratio	4.875

CHASSIS

Front axle / rear axle	Model	F350T / R035T
	Load-bearing capacity front/rear	3100/5800 kg (3400 mm); 3100/5740 kg (3850 mm); 3100/5680 kg (4300 mm); 3100/5640 kg (4750 mm)
Tyres		205/75R17.5C 124/122 M
		Tyres with optimised rolling resistance
Wheel		17.5 x 6.00 - 127 - 9t - 6 wheel bolts
Steering		LHD
		Recirculating-ball steering with power assist, tilting telescopic steering column with steering-wheel lock
Brake	Service brake	Hydraulic with vacuum power assist, dual-circuit with load-dependent brake proportioning valve at rear wheels
	Front / rear	Disc brake (252 x 40)
	Parking brake	Mechanical expanding brake on drive shaft at rear of transmission
	Auxiliary brake	Exhaust brake (50 kW)
Suspension	Front / rear	Semi-elliptic leaf spring with shock absorber and stabiliser
Frame	Type	Ladder-type frame with reinforcements and crossmembers
Fuel tank capacity		100 litres
Electrical system – batteries		12 V (100 AH - 760 A(EN))



CANTER 7C18D DUONIC® 2.0 LHD

MODEL / VEHICLE TYPE 7C18D

Cab type / crew	Comfort, crew cab / 7	
Model variant	46916714	46916914
FUSO model code	FEB71GL3WEUY	FEC71KL3WEUY

DIMENSIONS (MM)

Wheelbase		3850	4750
Overall length		6690	7740
Cab length			2625
Width overall		2098	2137
Cab width			1995
Height overall			2250
Track width	Front / rear	1665 / 1560	1665 / 1670
Frame height (at end of frame)			845
Ground clearance			185
Cab to rear axle		2325	3225
Cab to end of frame		4020	5070
Maximum body length**		4725	6210
Frame width		750	850
Front overhang			1145
Rear overhang		1695	1845
Front axle to front of body			1625
Recommended distance cab to body			100

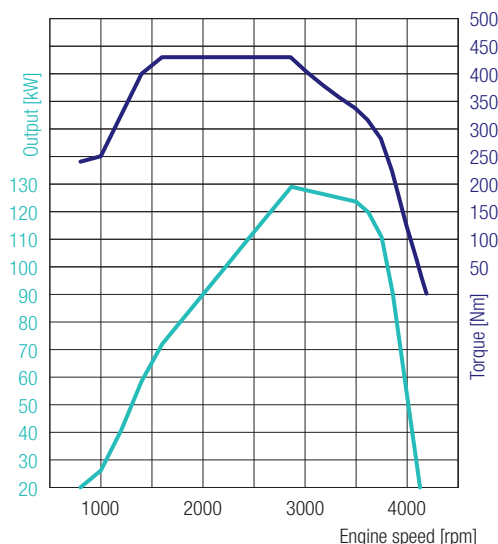
WEIGHTS (KG)

Empty weight*		2805	2870
	Front* / rear*	1820 / 985	1865 / 1005
Minimum vehicle weight			2860
Gross vehicle weight / gross combination weight			7490 / 10990
Axle loads*	Front / rear	3100 / 5740	3100 / 5640
Towed weight	Braked / unbraked		3500 / 750
Chassis load bearing capacity*		4685	4620

CALCULATED OUTPUT

Maximum speed	km/h		130
Minimum turning circle (m)	Kerb to kerb	13.8	16.6
	Wall to wall	15.2	18.0

* The weight refers to the base vehicle (European series, including coolant, oil, 90% fuel, tyre sealant, tools and driver with 75 kg) without optional equipment. If any optional equipment is added, the weight changes accordingly. ** Calculated maximum value which should be checked depending on the body and application. Subject to change without notice. All data is approximate. The illustrations may contain accessories and items of optional equipment which are not part of the standard specification. The data sheet may contain product types and support services not available in certain countries.



4P10 – 129 kW (175 PS)
 430 Nm@1600 rpm
 129 kW@2865 rpm

CANTER 7C18D DUONIC® 2.0 LHD

ENGINE (EURO VI)

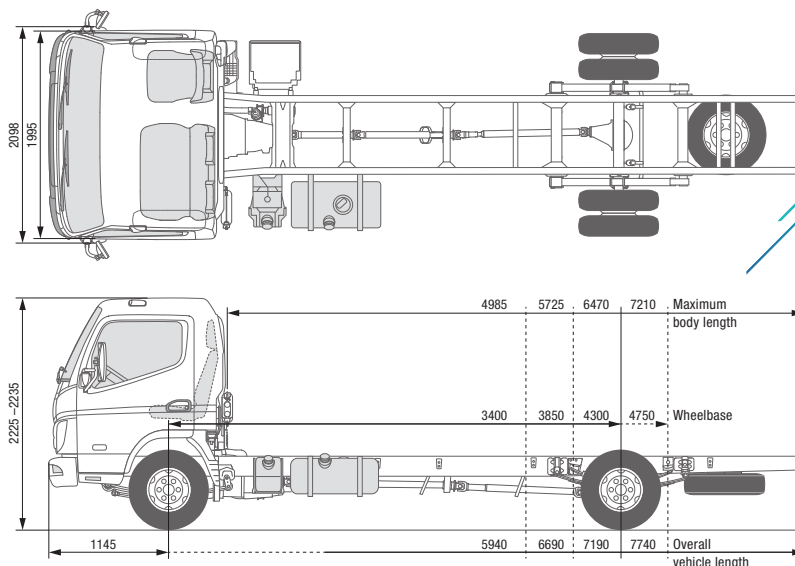
Type	Water-cooled four-stroke diesel engine with turbocharger, intercooler and direct injection			
No. of cylinders	4/in-line			
Capacity	2998 cm ³			
Peak output	129 kW (175 hp) / 2865 rpm			
Rated torque	430 Nm / 1600 rpm			
Diesel particulate filter	Service life approx. 300,000 km			
Alternator	Alternating current 12 V, 140 A			
Exhaust gas aftertreatment	SCR + DPF			
PTO (optional)	Type	31 kW with flange	62 kW with flange	31 kW for directly connected pumps
	Torque at peak output	196 Nm	392 Nm	196 Nm
	Gear ratios	1:0.655	1:0.727	1:0.651
	Engine speed at peak output	1500 rpm		

POWERTRAIN

Transmission	Model	DUONIC® 2.0: Automated transmission with dual clutch, 6 forward speeds and 1 reverse gear		
	Gear ratio	5.397 - 3.788 - 2.310 - 1.474 - 1.000 - 0.701 - reverse 5.397		
Rear axle gear ratio	Ratio	4.875		

CHASSIS

Front axle / rear axle	Model	F350T / R035T		
	Load-bearing capacity front/rear	3100 kg / 5740 kg (3850 mm)		3100 kg / 5640 kg (4750 mm)
Tyres		205/75R17.5C 124/122 M		
		Twin tyres at rear, tyres with optimised rolling resistance		
Wheel		17.5 x 6.00 - 127 - 9t - 6 wheel bolts		
Steering		LHD		
		Recirculating-ball steering with power assist, tilting telescopic steering column with steering-wheel lock		
Brake	Service brake	Hydraulic with vacuum power assist, dual-circuit with load-dependent brake proportioning valve at rear wheels		
	Front / rear	Disc brake (252 x 40)		
	Parking brake	Mechanical expanding brake on drive shaft at rear of transmission		
	Auxiliary brake	Exhaust brake (50 kW)		
Suspension	Front / rear	Semi-elliptic leaf spring with shock absorber and stabiliser		
Frame	Type	Ladder-type frame with reinforcements and crossmembers		
Fuel tank capacity		100 litres		
Electrical system – batteries		12 V (100 AH - 760 A(EN))		



CANTER 7C18 DUONIC® 2.0 RHD

MODEL / VEHICLE TYPE

	7C18			
Cab type / crew	Comfort, single cab / 3			
Model variant	46916522	46916722	46916822	46916925
FUSO model code	FEB71ER3SEUY	FEB71GR3SEUY	FEC71HR3SEUY	FEC71KR3SEUY

DIMENSIONS (MM)

Wheelbase		3400	3850	4300	4750
Overall length		5940	6690	7190	7740
Cab length		1625			
Width overall		2098		2137	
Cab width		1995			
Height overall		2225		2235	
Track width	Front / rear	1665 / 1560		1665 / 1670	
Frame height (at end of frame)		845		840	845
Ground clearance		185			
Cab to rear axle		2875	3325	3775	4225
Cab to end of frame		4270	5020	5520	6070
Maximum body length**		4985	5725	6470	7210
Frame width		750		850	
Front overhang		1145			
Rear overhang		1395	1695	1745	1845
Front axle to front of body		625			
Recommended distance cab to body		100			

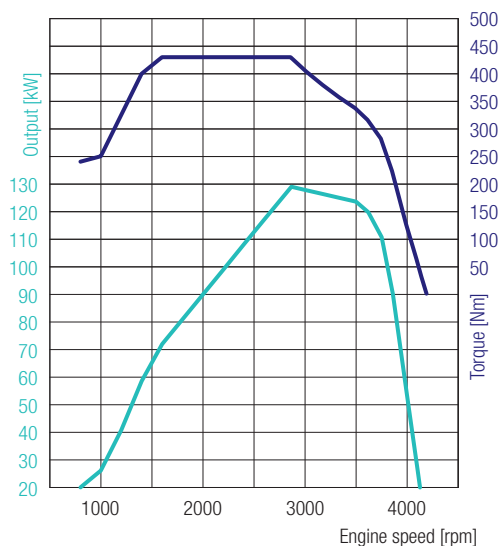
WEIGHTS (KG)

Empty weight*		2565	2585	2625	2645
	Front* / rear*	1665 / 900	1675 / 910	1685 / 940	1700 / 945
Minimum vehicle weight		2660			
Gross vehicle weight / gross combination weight		7490 / 10990			
Axle loads*	Front / rear	3100 / 5800	3100 / 5740	3100 / 5680	3100 / 5640
	Towed weight	Braked / unbraked			
Chassis load bearing capacity*		4925	4905	4865	4845

CALCULATED OUTPUT

Maximum speed	km/h	130			
Minimum turning circle (m)	Kerb to kerb	12.2	13.8	15.2	16.6
	Wall to wall	13.8	15.2	16.6	18.0

* The weight refers to the base vehicle (European series, including coolant, oil, 90% fuel, tyre sealant, tools and driver with 75 kg) without optional equipment. If any optional equipment is added, the weight changes accordingly. ** Calculated maximum value which should be checked depending on the body and application. Subject to change without notice. All data is approximate. The illustrations may contain accessories and items of optional equipment which are not part of the standard specification. The data sheet may contain product types and support services not available in certain countries.



CANTER 7C18 DUONIC® 2.0 RHD

4P10 – 129 kW (175 PS)
 430 Nm@1600 rpm
 129 kW@2865 rpm

ENGINE (EURO VI)

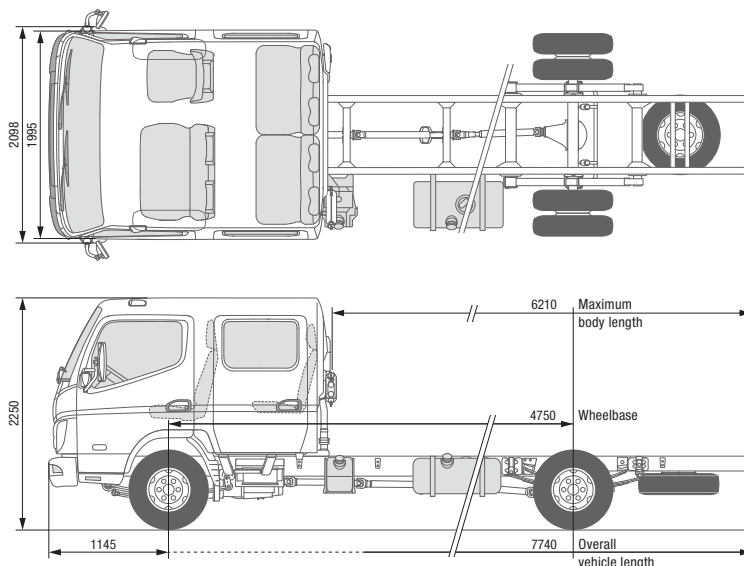
Type	Water-cooled four-stroke diesel engine with turbocharger, intercooler and direct injection			
No. of cylinders	4/in-line			
Capacity	2998 cm ³			
Peak output	129 kW (175 hp) / 2865 rpm			
Rated torque	430 Nm / 1600 rpm			
Diesel particulate filter	Service life approx. 300,000 km			
Alternator	Alternating current 12 V, 140 A			
Exhaust gas aftertreatment	SCR + DPF			
PTO (optional)	Type	31 kW with flange	62 kW with flange	31 kW for directly connected pumps
	Torque at peak output	196 Nm	392 Nm	196 Nm
	Gear ratios	1:0.655	1:0.727	1:0.651
	Engine speed at peak output	1500 rpm		

POWERTRAIN

Transmission	Model	DUONIC® 2.0: Automated transmission with dual clutch, 6 forward speeds and 1 reverse gear
	Gear ratio	5.397 - 3.788 - 2.310 - 1.474 - 1.000 - 0.701 - reverse 5.397
Rear axle gear ratio	Ratio	4.875

CHASSIS

Front axle / rear axle	Model	F350T / R035T
	Load-bearing capacity front/rear	3100/5800 kg (3400 mm); 3100/5740 kg (3850 mm); 3100/5680 kg (4300 mm); 3100/5640 kg (4750 mm)
Tyres		205/75R17.5C 124/122 M
		Twin tyres at rear, tyres with optimised rolling resistance
Wheel		17.5 x 6.00 - 127 - 9t - 6 wheel bolts
Steering		RHD
		Recirculating-ball steering with power assist, tilting telescopic steering column with steering-wheel lock
Brake	Service brake	Hydraulic with vacuum power assist, dual-circuit with load-dependent brake proportioning valve at rear wheels
	Front / rear	Disc brake (252 x 40)
	Parking brake	Mechanical expanding brake on drive shaft at rear of transmission
	Auxiliary brake	Exhaust brake (50 kW)
Suspension	Front / rear	Semi-elliptic leaf spring with shock absorber and stabiliser
Frame	Type	Ladder-type frame with reinforcements and crossmembers
Fuel tank capacity		100 litres
Electrical system – batteries		12 V (100 AH - 760 A(EN))



CANTER 7C18D DUONIC® 2.0 RHD

MODEL / VEHICLE TYPE 7C18D

Cab type / crew	Comfort, crew cab / 7
Model variant	46916924
FUSO model code	FEC71KR3WEUY

DIMENSIONS (MM)

Wheelbase		4750
Overall length		7740
Cab length		2625
Width overall		2137
Cab width		1995
Height overall		2250
Track width	Front / rear	1665 / 1670
Frame height (at end of frame)		845
Ground clearance		185
Cab to rear axle		3225
Cab to end of frame		5070
Maximum body length**		6210
Frame width		850
Front overhang		1145
Rear overhang		1845
Front axle to front of body		1625
Recommended distance cab to body		100

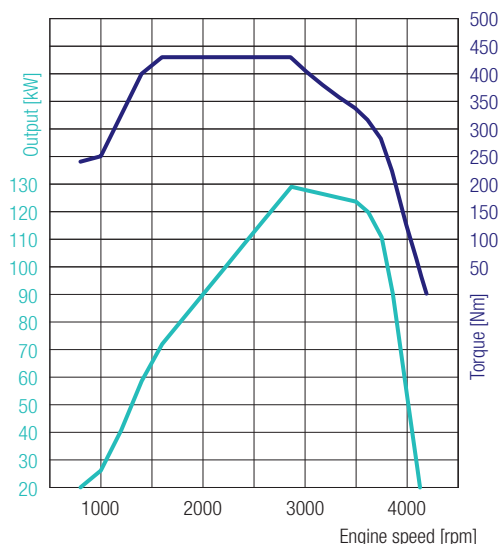
WEIGHTS (KG)

Empty weight*		2870
	Front* / rear*	1865 / 1005
Minimum vehicle weight		2860
Gross vehicle weight / gross combination weight		7490 / 10990
Axle loads*	Front / rear	3100 / 5640
Towed weight	Braked / unbraked	3500 / 750
Chassis load bearing capacity*		4620

CALCULATED OUTPUT

Maximum speed	km/h	130
Minimum turning circle (m)	Kerb to kerb	16.6
	Wall to wall	18.0

* The weight refers to the base vehicle (European series, including coolant, oil, 90% fuel, tyre sealant, tools and driver with 75 kg) without optional equipment. If any optional equipment is added, the weight changes accordingly. ** Calculated maximum value which should be checked depending on the body and application. Subject to change without notice. All data is approximate. The illustrations may contain accessories and items of optional equipment which are not part of the standard specification. The data sheet may contain product types and support services not available in certain countries.



4P10 – 129 kW (175 PS)
 430 Nm@1600 rpm
 129 kW@2865 rpm

CANTER 7C18D DUONIC® 2.0 RHD

ENGINE (EURO VI)

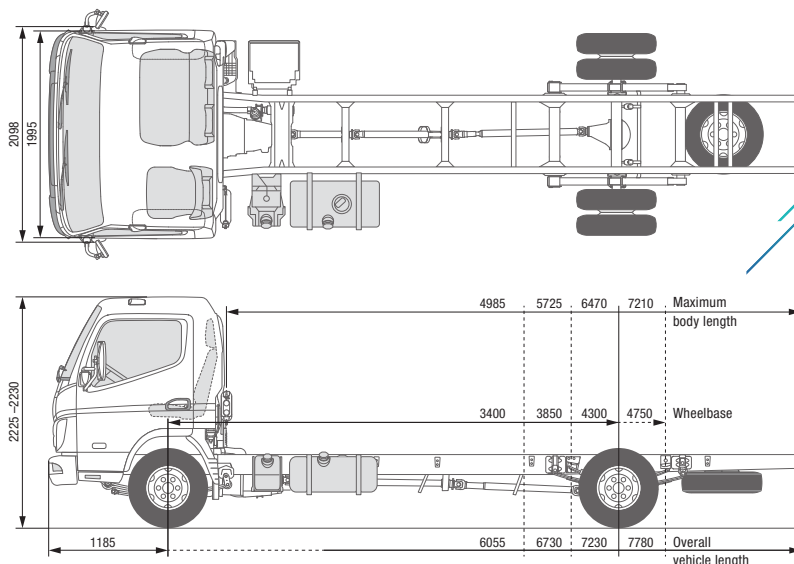
Type	Water-cooled four-stroke diesel engine with turbocharger, intercooler and direct injection			
No. of cylinders	4/in-line			
Capacity	2998 cm ³			
Peak output	129 kW (175 hp) / 2865 rpm			
Rated torque	430 Nm / 1600 rpm			
Diesel particulate filter	Service life approx. 300,000 km			
Alternator	Alternating current 12 V, 140 A			
Exhaust gas aftertreatment	SCR + DPF			
PTO (optional)	Type	31 kW with flange	62 kW with flange	31 kW for directly connected pumps
	Torque at peak output	196 Nm	392 Nm	196 Nm
	Gear ratios	1:0.655	1:0.727	1:0.651
	Engine speed at peak output	1500 rpm		

POWERTRAIN

Transmission	Model	DUONIC® 2.0: Automated transmission with dual clutch, 6 forward speeds and 1 reverse gear
	Gear ratio	5.397 - 3.788 - 2.310 - 1.474 - 1.000 - 0.701 - reverse 5.397
Rear axle gear ratio	Ratio	4.875

CHASSIS

Front axle / rear axle	Model	F350T / R035T
	Load-bearing capacity front/rear	3100 kg / 6000 kg
Tyres		205/75R17.5C 124/122 M
		Twin tyres at rear, tyres with optimised rolling resistance
Wheel		17.5 x 6.00 - 127 - 9t - 6 wheel bolts
Steering		RHD
		Recirculating-ball steering with power assist, tilting telescopic steering column with steering-wheel lock
Brake	Service brake	Hydraulic with vacuum power assist, dual-circuit with load-dependent brake proportioning valve at rear wheels
	Front / rear	Disc brake (252 x 40)
	Parking brake	Mechanical expanding brake on drive shaft at rear of transmission
	Auxiliary brake	Exhaust brake (50 kW)
Suspension	Front / rear	Semi-elliptic leaf spring with shock absorber and stabiliser
Frame	Type	Ladder-type frame with reinforcements and crossmembers
Fuel tank capacity		100 litres
Electrical system – batteries		12 V (100 AH - 760 A(EN))



CANTER 9C18 DUONIC® 2.0 LHD

MODEL / VEHICLE TYPE 9C18

Cab type / crew	Comfort, single cab / 3			
Model variant	46917512	46917712	46917812	46917915
FUSO model code	FECX1EL3SEUY	FECX1GL3SEUY	FECX1HL3SEUY	FECX1KL3SEUY

DIMENSIONS (MM)

Wheelbase		3400	3850	4300	4750
Overall length		6055	6730	7230	7780
Cab length		1625			
Width overall		2137			
Cab width		1995			
Height overall		2230		2225	
Track width	Front / rear	1665 / 1670			
Frame height (at end of frame)		845	850	845	
Ground clearance		185			
Cab to rear axle		2875	3325	3775	4225
Cab to end of frame		4345	5020	5520	6070
Maximum body length**		4985	5725	6470	7210
Frame width		850			
Front overhang		1185			
Rear overhang		1395	1695	1745	1845
Front axle to front of body		625			
Recommended distance cab to body		100			

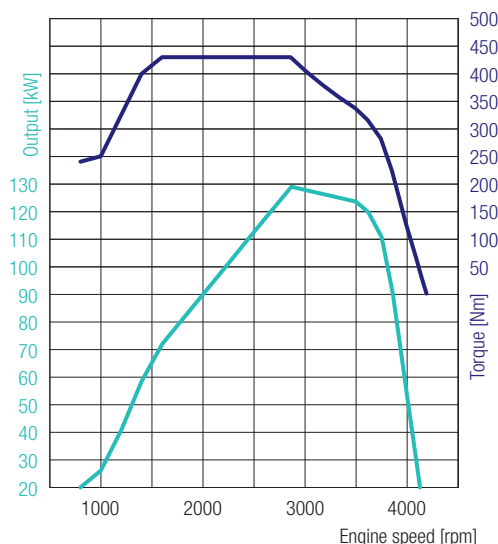
WEIGHTS (KG)

Empty weight*		2575	2600	2635	2655
	Front* / rear*	1690 / 885	1670 / 930	1700 / 935	1720 / 935
Minimum vehicle weight		2660			
Gross vehicle weight / gross combination weight		8550 / 12050			
Axle loads*	Front / rear	3100 / 5800			
Towed weight	Braked / unbraked	3500 / 750			
Chassis load bearing capacity*		5975	5950	5915	5895

CALCULATED OUTPUT

Maximum speed	km/h	129			
Minimum turning circle (m)	Kerb to kerb	12.2	13.8	15.2	16.6
	Wall to wall	13.8	15.2	16.6	18.0

* The weight refers to the base vehicle (European series, including coolant, oil, 90% fuel, tyre sealant, tools and driver with 75 kg) without optional equipment. If any optional equipment is added, the weight changes accordingly. ** Calculated maximum value which should be checked depending on the body and application. Subject to change without notice. All data is approximate. The illustrations may contain accessories and items of optional equipment which are not part of the standard specification. The data sheet may contain product types and support services not available in certain countries.



CANTER 9C18 DUONIC® 2.0 LHD

4P10 – 129 kW (175 PS)
 430 Nm@1600 rpm
 129 kW@2865 rpm

ENGINE (EURO VI)

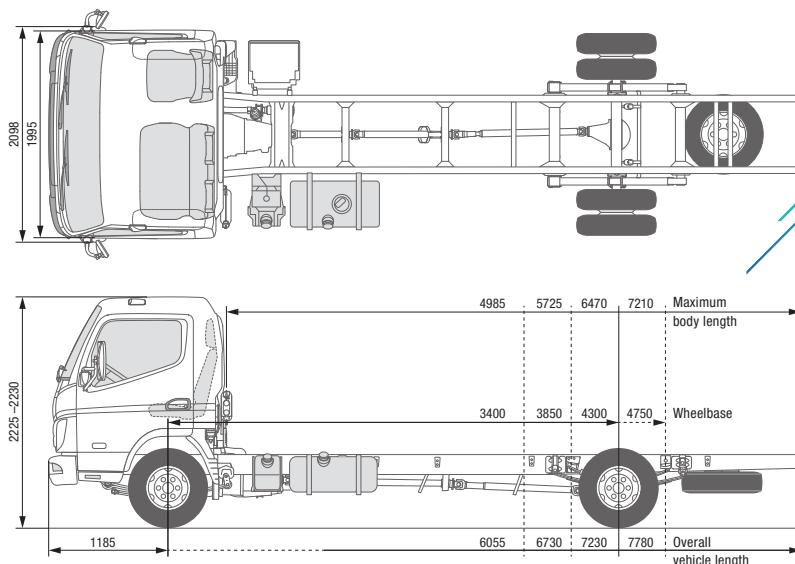
Type	Water-cooled four-stroke diesel engine with turbocharger, intercooler and direct injection			
No. of cylinders	4/in-line			
Capacity	2998 cm ³			
Peak output	129 kW (175 hp) / 2865 rpm			
Rated torque	430 Nm / 1600 rpm			
Diesel particulate filter	Service life approx. 300,000 km			
Alternator	Alternating current 12 V, 140 A			
Exhaust gas aftertreatment	SCR + DPF			
PTO (optional)	Type	31 kW with flange	62 kW with flange	31 kW for directly connected pumps
	Torque at peak output [Nm]:	196 Nm	392 Nm	196 Nm
	Gear ratios	1:0.655	1:0.727	1:0.651
	Engine speed at peak output	1500 rpm		

POWERTRAIN

Transmission	Model	DUONIC® 2.0: Automated transmission with dual clutch, 6 forward speeds and 1 reverse gear
	Gear ratio	5.397 - 3.788 - 2.310 - 1.474 - 1.000 - 0.701 - reverse 5.397
Rear axle gear ratio	Ratio	5.714

CHASSIS

Front axle / rear axle	Model	F350T / R035T
	Load-bearing capacity front/rear	3100 kg / 5800 kg
Tyres		205/75R17.5C 124/122M
		Twin tyres at rear, tyres with optimised rolling resistance
Wheel		17.5 x 6.00 - 127 - 6 wheel bolts
Steering		LHD
		Recirculating-ball steering with power assist, tilting telescopic steering column with steering-wheel lock
Brake	Service brake	Hydraulic with vacuum power assist, dual-circuit with load-dependent brake proportioning valve at rear wheels
	Front / rear	Disc brake (252 x 40)
	Parking brake	Mechanical expanding brake on drive shaft at rear of transmission
	Auxiliary brake	Exhaust brake (50 kW)
Suspension	Front / rear	Semi-elliptic leaf spring with shock absorber and stabiliser
Frame	Type	Ladder-type frame with reinforcements and crossmembers
Fuel tank capacity		100 litres
Electrical system – batteries		12 V (100 AH - 760 A(EN))



CANTER 9C18 DUONIC® 2.0 RHD

MODEL / VEHICLE TYPE

MODEL / VEHICLE TYPE	9C18			
Cab type / crew	Comfort, single cab / 3			
Model variant	46917522	46917722	46917822	46917925
FUSO model code	FECX1ER3SEUY	FECX1GR3SEUY	FECX1HR3SEUY	FECX1KR3SEUY

DIMENSIONS (MM)

Wheelbase		3400	3850	4300	4750
Overall length		6055	6730	7230	7780
Cab length				1625	
Width overall				2137	
Cab width				1995	
Height overall		2230			2225
Track width	Front / rear		1665 / 1670		
Frame height (at end of frame)		845	850		845
Ground clearance				185	
Cab to rear axle		2875	3325	3775	4225
Cab to end of frame		4345	5020	5520	6070
Maximum body length**		4985	5725	6470	7210
Frame width				850	
Front overhang				1185	
Rear overhang		1395	1695	1745	1845
Front axle to front of body				625	
Recommended distance cab to body				100	

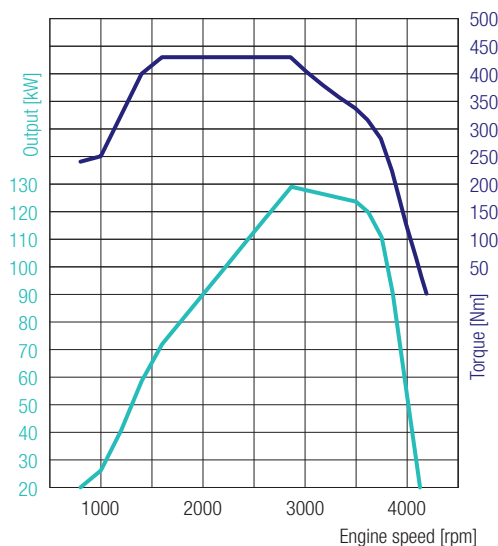
WEIGHTS (KG)

Empty weight*		2575	2600	2635	2655
	Front* / rear*	1690 / 885	1670 / 930	1700 / 935	1640 / 1015
Minimum vehicle weight			2660		2655
Gross vehicle weight / gross combination weight			8550 / 12050		
Axle loads*	Front / rear		3100 / 5800		
	Towed weight	Braked / unbraked		3500 / 750	
Chassis load bearing capacity*		5975	5950	5915	5895

CALCULATED OUTPUT

Maximum speed	km/h	129			
Minimum turning circle (m)	Kerb to kerb	12.2	13.8	15.2	16.6
	Wall to wall	13.8	15.2	16.6	18.0

* The weight refers to the base vehicle (European series, including coolant, oil, 90% fuel, tyre sealant, tools and driver with 75 kg) without optional equipment. If any optional equipment is added, the weight changes accordingly. ** Calculated maximum value which should be checked depending on the body and application. Subject to change without notice. All data is approximate. The illustrations may contain accessories and items of optional equipment which are not part of the standard specification. The data sheet may contain product types and support services not available in certain countries.



CANTER 9C18 DUONIC® 2.0 RHD

4P10 – 129 kW (175 PS)
 430 Nm@1600 rpm
 129 kW@2865 rpm

ENGINE (EURO VI)

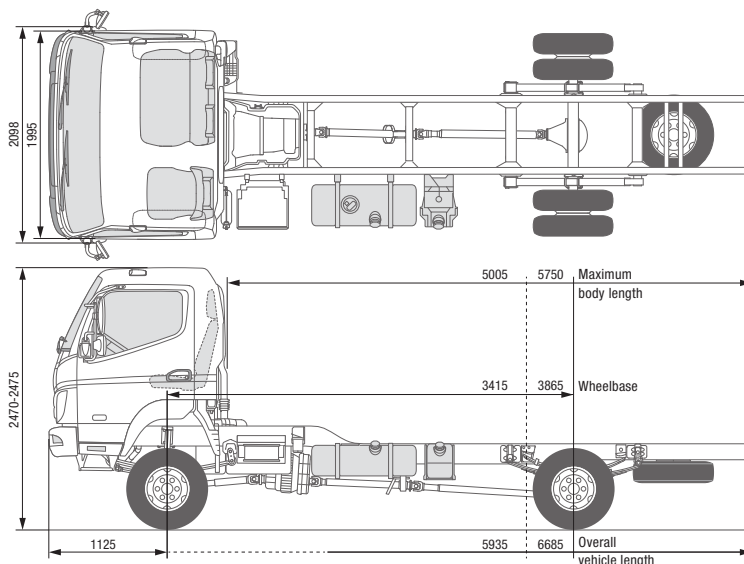
Type	Water-cooled four-stroke diesel engine with turbocharger, intercooler and direct injection			
No. of cylinders	4/in-line			
Capacity	2998 cm ³			
Peak output	129 kW (175 hp) / 2865 rpm			
Rated torque	430 Nm / 1600 rpm			
Diesel particulate filter	Service life approx. 300,000 km			
Alternator	Alternating current 12 V, 140 A			
Exhaust gas aftertreatment	SCR + DPF			
PTO (optional)	Type	31 kW with flange	62 kW with flange	31 kW for directly connected pumps
	Torque at peak output [Nm]:	196 Nm	392 Nm	196 Nm
	Gear ratios	1:0.655	1:0.727	1:0.651
	Engine speed at peak output	1500 rpm		

POWERTRAIN

Transmission	Model	DUONIC® 2.0: Automated transmission with dual clutch, 6 forward speeds and 1 reverse gear
	Gear ratio	5.397 - 3.788 - 2.310 - 1.474 - 1.000 - 0.701 - reverse 5.397
Rear axle gear ratio	Ratio	5.714

CHASSIS

Front axle / rear axle	Model	F350T / R035T
	Load-bearing capacity front/rear	3100 kg / 5800 kg
Tyres		205/75R17.5C 124/122M
		Twin tyres at rear, tyres with optimised rolling resistance
Wheel		17.5 x 6.00 - 127 - 6 wheel bolts
Steering		RHD
		Recirculating-ball steering with power assist, tilting telescopic steering column with steering-wheel lock
Brake	Service brake	Hydraulic with vacuum power assist, dual-circuit with load-dependent brake proportioning valve at rear wheels
	Front / rear	Disc brake (252 x 40)
	Parking brake	Mechanical expanding brake on drive shaft at rear of transmission
	Auxiliary brake	Exhaust brake (50 kW)
Suspension	Front / rear	Semi-elliptic leaf spring with shock absorber and stabiliser
Frame	Type	Ladder-type frame with reinforcements and crossmembers
Fuel tank capacity		100 litres
Electrical system – batteries		12 V (100 AH - 760 A(EN))



CANTER 6C18 4x4 LHD

MODEL / VEHICLE TYPE 6C18 4x4

Cab type / crew	Comfort, single cab / 3	
Model variant	46911512	46911712
FUSO model code	FGB71EL6SEUY	FGB71GL6SEUY

DIMENSIONS (MM)

Wheelbase		3415	3865
Overall length		5935	6685
Cab length			1625
Width overall			2098
Cab width			1995
Height overall		2475	2470
Track width	Front / rear	1665 / 1560	
Frame height (at end of frame)		815	810
Cab to rear axle		2890	3340
Cab to end of frame		4285	5035
Maximum body length**		5005	5750
Frame width			750
Front overhang			1130
Rear overhang		1395	1695
Front axle to front of body			625
Recommended distance cab to body			100

WEIGHTS (KG)

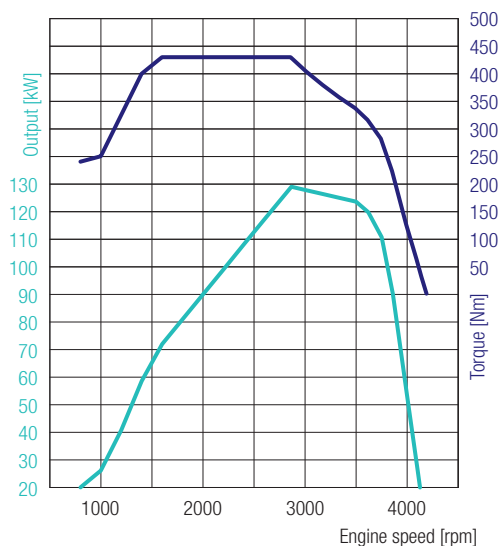
Empty weight*		2825	2845
	Front* / rear*	1860 / 965	1825 / 1020
Minimum vehicle weight		2905	
Gross vehicle weight / gross combination weight		6500 / 10000	
Axle loads*	Front / rear	2800 / 5125	2800 / 5070
Towed weight	Braked / unbraked	3500 / 750	
Chassis load bearing capacity*		3675	3655

CALCULATED OUTPUT

Maximum speed	km/h	130	
Minimum turning circle (m)	Kerb to kerb	13.5	15.1
	Wall to wall	14.9	16.5

GROUND CLEARANCES AND APPROACH/DEPARTURE ANGLES

Ground clearance under axles	Front / rear	210 / 185	
Approach/departure angles	front / rear	35° / 25°	



4P10 – 129 kW (175 PS)
 430 Nm@1600 rpm
 129 kW@2865 rpm

CANTER 6C18 4x4 LHD

ENGINE (EURO VI)

Type	Water-cooled four-stroke diesel engine with turbocharger, intercooler and direct injection		
No. of cylinders	4/in-line		
Capacity	2998 cm ³		
Peak output	129 kW (175 hp) / 2865 rpm		
Rated torque	430 Nm / 1600 rpm		
Diesel particulate filter	Service life approx. 300,000 km		
Alternator	Alternating current 12 V, 140 A		
Exhaust gas aftertreatment	SCR + DPF		
PTO (optional)	Type	31 kW with flange	31 kW for directly connected pumps
	Torque at peak output [Nm]:	196 Nm	
	Gear ratios	1:0.644	1:0.638
	Engine speed at peak output	1500 rpm	

POWERTRAIN

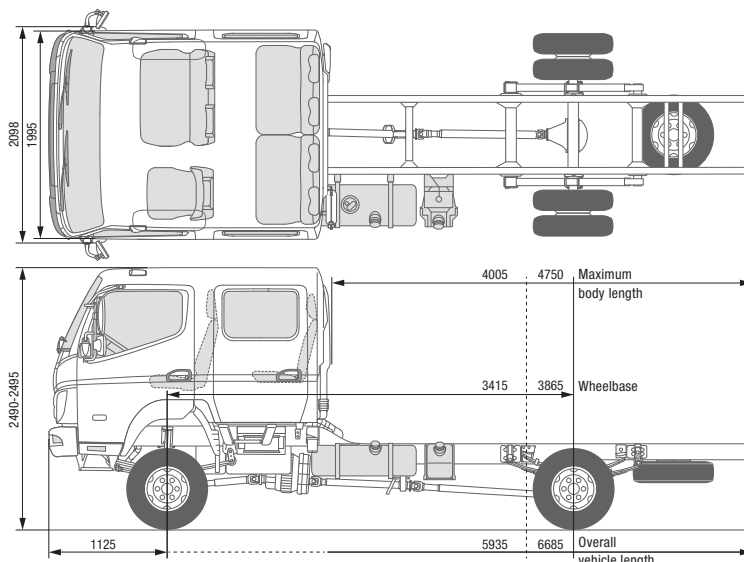
Transmission / all-wheel drive	Type	Manual gearbox, 5 forward gears, 1 reverse gear	
	Gear ratio	5.494 - 3.193 - 1.689 - 1.000 - 0.723 - reverse 5.494	
	Torque split 4x4	60% front / 40% rear	
Rear axle gear ratio	Ratio	4.875	

CHASSIS

Front axle / rear axle	Model	F200TW / R035T	
	Load-bearing capacity front/rear	2800 kg / 5000 kg (3415 mm)	2800 kg / 4940 kg (3865 mm)
Tyres		205/75R17.5C 124/122 M	
		Twin tyres at rear, tyres with optimised rolling resistance	
Wheel		17.5 x 6.00 - 127 - 9t - 6 wheel bolts	
Steering		LHD	
		Recirculating-ball steering with power assist, tilting telescopic steering column with steering-wheel lock	
Brake	Service brake	Hydraulic with vacuum power assist, dual-circuit with load-dependent brake proportioning valve at rear wheels	
	Front / rear	Drum brake (320 x 75.2L) / drum brake (320 x 110)	
	Parking brake	Mechanical expanding brake on drive shaft at rear of transmission	
	Auxiliary brake	Exhaust brake (50 kW)	
Suspension	Front / rear	Semi-elliptic leaf spring with shock absorber and stabiliser	
Frame	Type	Ladder-type frame with reinforcements and crossmembers	
Fuel tank capacity		100 litres	
Electrical system – batteries		12 V (100 AH - 760 A(EN))	

* The weight refers to the base vehicle (European series, including coolant, oil, 90% fuel, tyre sealant, tools and driver with 75 kg) without optional equipment. If any optional equipment is added, the weight changes accordingly. ** Calculated maximum value which should be checked depending on the body and application.

Subject to change without notice. All data is approximate. The illustrations may contain accessories and items of optional equipment which are not part of the standard specification. The data sheet may contain product types and support services not available in certain countries.



CANTER 6C18D 4x4 LHD

MODEL / VEHICLE TYPE 6C18D 4x4

Cab type / crew	Comfort, crew cab / 7	
Model variant	46911514	46911714
FUSO model code	FGB71EL6WEUY	FGB71GL6WEUY

DIMENSIONS (MM)

Wheelbase		3415	3865
Overall length		5935	6685
Cab length			2625
Width overall			2098
Cab width			1995
Height overall		2495	2490
Track width	Front / rear	1665 / 1560	
Frame height (at end of frame)			810
Cab to rear axle		1890	2340
Cab to end of frame		3285	4035
Maximum body length**		4005	4750
Frame width			750
Front overhang			1130
Rear overhang		1395	1695
Front axle to front of body			1625
Recommended distance cab to body			100

WEIGHTS (KG)

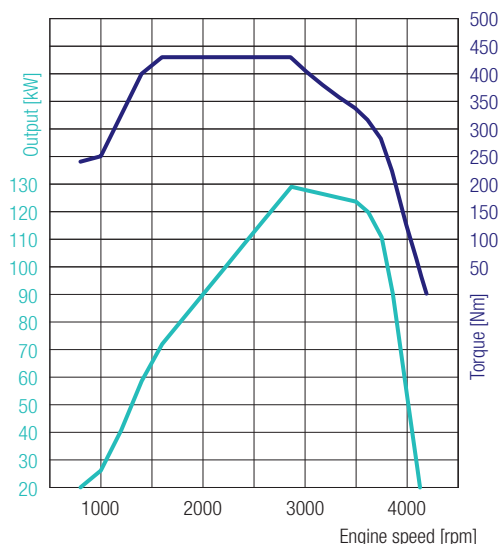
Empty weight*		3050	3065
	Front* / rear*	1930 / 1120	2035 / 1030
Minimum vehicle weight		3105	
Gross vehicle weight / gross combination weight		6500 / 10000	
Axle loads*	Front / rear	2800 / 5125	2800 / 5070
Towed weight	Braked / unbraked	3500 / 750	
Chassis load bearing capacity*		3450	3435

CALCULATED OUTPUT

Maximum speed	km/h	130	
Minimum turning circle (m)	Kerb to kerb	13.5	15.1
	Wall to wall	14.9	16.5

GROUND CLEARANCES AND APPROACH/DEPARTURE ANGLES

Ground clearance under axles	Front / rear	210 / 185	
Approach/departure angles	Front / rear	35° / 25°	



4P10 – 129 kW (175 PS)
 430 Nm@1600 rpm
 129 kW@2865 rpm

CANTER 6C18D 4x4 LHD

ENGINE (EURO VI)

Type	Water-cooled four-stroke diesel engine with turbocharger, intercooler and direct injection		
No. of cylinders	4/in-line		
Capacity	2998 cm ³		
Peak output	129 kW (175 hp) / 2865 rpm		
Rated torque	430 Nm / 1600 rpm		
Diesel particulate filter	Service life approx. 300,000 km		
Alternator	Alternating current 12 V, 140 A		
Exhaust gas aftertreatment	SCR + DPF		
PTO (optional)	Type	31 kW with flange	31 kW for directly connected pumps
	Torque at peak output [Nm]:	196 Nm	
	Gear ratios	1:0.644	1:0.638
	Engine speed at peak output	1500 rpm	

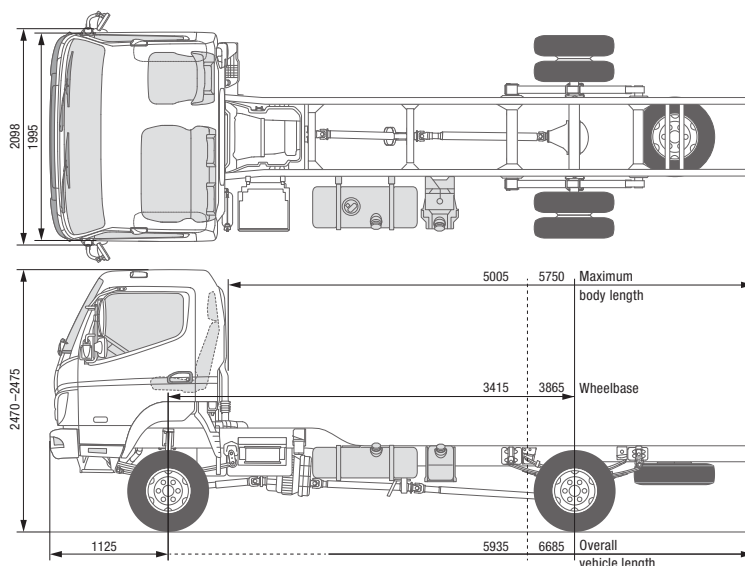
POWERTRAIN

Transmission / all-wheel drive	Type	Manual gearbox, 5 forward gears, 1 reverse gear	
	Gear ratio	5.494 - 3.193 - 1.689 - 1.000 - 0.723 - reverse 5.494	
	Torque split 4x4	60% front / 40% rear	
Rear axle gear ratio	Ratio	4.875	

CHASSIS

Front axle / rear axle	Model	F200TW / R035T	
	Load-bearing capacity front/rear	2800 kg / 5000 kg (3415 mm)	2800 kg / 5070 kg (3865 mm)
Tyres		205/75R17.5C 124/122 M	
		Twin tyres at rear, tyres with optimised rolling resistance	
Wheel		17.5 x 6.00 - 127 - 9t - 6 wheel bolts	
Steering		LHD	
		Recirculating-ball steering with power assist, tilting telescopic steering column with steering-wheel lock	
Brake	Service brake	Hydraulic with vacuum power assist, dual-circuit with load-dependent brake proportioning valve at rear wheels	
	Front / rear	Drum brake (320 x 75.2L) / drum brake (320 x 110)	
	Parking brake	Mechanical expanding brake on drive shaft at rear of transmission	
	Auxiliary brake	Exhaust brake (50 kW)	
Suspension	Front / rear	Semi-elliptic leaf spring with shock absorber and stabiliser	
Frame	Type	Ladder-type frame with reinforcements and crossmembers	
Fuel tank capacity		100 litres	
Electrical system – batteries		12 V (100 AH - 760 A(EN))	

* The weight refers to the base vehicle (European series, including coolant, oil, 90% fuel, tyre sealant, tools and driver with 75 kg) without optional equipment. If any optional equipment is added, the weight changes accordingly. ** Calculated maximum value which should be checked depending on the body and application.
 Subject to change without notice. All data is approximate. The illustrations may contain accessories and items of optional equipment which are not part of the standard specification. The data sheet may contain product types and support services not available in certain countries.



CANTER 6C18 4x4 RHD

MODEL / VEHICLE TYPE 6C18 4x4

Cab type / crew	Comfort, single cab / 3	
Model variant	46911522	46911722
FUSO model code	FGB71ER6SEUY	FGB71GR6SEUY

DIMENSIONS (MM)

Wheelbase		3415	3865
Overall length		5935	6685
Cab length			1625
Width overall			2098
Cab width			1995
Height overall		2475	2470
Track width	Front / rear		1665 / 1560
Frame height (at end of frame)		815	810
Cab to rear axle		2890	3340
Cab to end of frame		4285	5035
Maximum body length**		5005	5750
Frame width			750
Front overhang			1130
Rear overhang		1395	1695
Front axle to front of body			625
Recommended distance cab to body			100

WEIGHTS (KG)

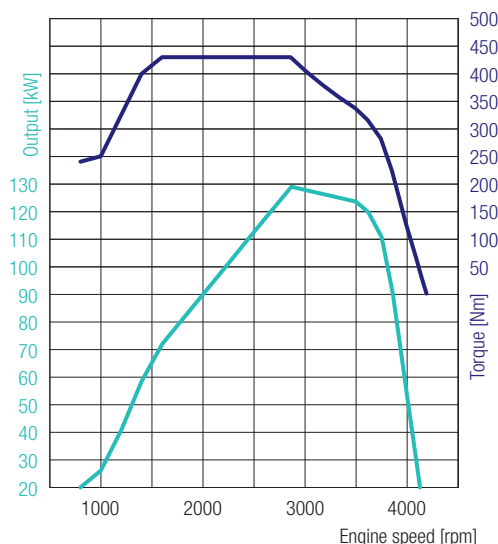
Empty weight*		2825	2845
	Front* / rear*	1860 / 965	1825 / 1020
Minimum vehicle weight			2905
Gross vehicle weight / gross combination weight			6500 / 10000
Axle loads*	Front / rear	2800 / 5125	2800 / 5070
Towed weight	Braked / unbraked		3500 / 750
Chassis load bearing capacity*		3675	3655

CALCULATED OUTPUT

Maximum speed	km/h		130
Minimum turning circle (m)	Kerb to kerb	13.5	15.1
	Wall to wall	14.9	16.5

GROUND CLEARANCES AND APPROACH/DEPARTURE ANGLES

Ground clearance under axles	Front / rear		210 / 185
Approach/departure angles	front / rear		35° / 25°



4P10 – 129 kW (175 PS)
 430 Nm@1600 rpm
 129 kW@2865 rpm

CANTER 6C18 4x4 RHD

ENGINE (EURO VI)

Type	Water-cooled four-stroke diesel engine with turbocharger, intercooler and direct injection		
No. of cylinders	4/in-line		
Capacity	2998 cm ³		
Peak output	129 kW (175 hp) / 2865 rpm		
Rated torque	430 Nm / 1600 rpm		
Diesel particulate filter	Service life approx. 300,000 km		
Alternator	Alternating current 12 V, 140 A		
Exhaust gas aftertreatment	SCR + DPF		
PTO (optional)	Type	31 kW with flange	31 kW for directly connected pumps
	Torque at peak output [Nm]:	196 Nm	
	Gear ratios	1:0.644	1:0.638
	Engine speed at peak output	1500 rpm	

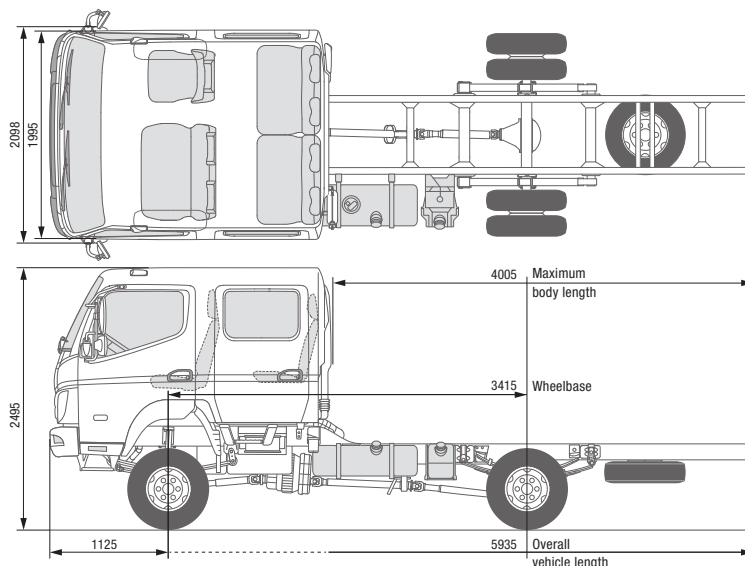
POWERTRAIN

Transmission / all-wheel drive	Type	Manual gearbox, 5 forward gears, 1 reverse gear	
	Gear ratio	5.494 - 3.193 - 1.689 - 1.000 - 0.723 - reverse 5.494	
	Torque split 4x4	60% front / 40% rear	
Rear axle gear ratio	Ratio	4.875	

CHASSIS

Front axle / rear axle	Model	F200TW / R035T	
	Load-bearing capacity front/rear	2800 kg / 5000 kg (3415 mm)	2800 kg / 5070 kg (3865 mm)
Tyres		205/75R17.5C 124/122 M	
		Twin tyres at rear, tyres with optimised rolling resistance	
Wheel		17.5 x 6.00 - 127 - 9t - 6 wheel bolts	
Steering		RHD	
		Recirculating-ball steering with power assist, tilting telescopic steering column with steering-wheel lock	
Brake	Service brake	Hydraulic with vacuum power assist, dual-circuit with load-dependent brake proportioning valve at rear wheels	
	Front / rear	Drum brake (320 x 75.2L) / drum brake (320 x 110)	
	Parking brake	Mechanical expanding brake on drive shaft at rear of transmission	
	Auxiliary brake	Exhaust brake (50 kW)	
Suspension	Front / rear	Semi-elliptic leaf spring with shock absorber and stabiliser	
Frame	Type	Ladder-type frame with reinforcements and crossmembers	
Fuel tank capacity		100 litres	
Electrical system – batteries		12 V (100 AH - 760 A(EN))	

* The weight refers to the base vehicle (European series, including coolant, oil, 90% fuel, tyre sealant, tools and driver with 75 kg) without optional equipment. If any optional equipment is added, the weight changes accordingly. ** Calculated maximum value which should be checked depending on the body and application.
 Subject to change without notice. All data is approximate. The illustrations may contain accessories and items of optional equipment which are not part of the standard specification. The data sheet may contain product types and support services not available in certain countries.



CANTER 6C18D 4x4 RHD

MODEL / VEHICLE TYPE 6C18D 4x4

Cab type / crew	Comfort, crew cab / 7
Model variant	46911524
FUSO model code	FG71ER6WEUY

DIMENSIONS (MM)

Wheelbase		3415
Overall length		5935
Cab length		2625
Width overall		2098
Cab width		1995
Height overall		2495
Track width	Front / rear	1665 / 1560
Frame height (at end of frame)		810
Cab to rear axle		1890
Cab to end of frame		3285
Maximum body length**		4005
Frame width		750
Front overhang		1130
Rear overhang		1395
Front axle to front of body		1625
Recommended distance cab to body		100

WEIGHTS (KG)

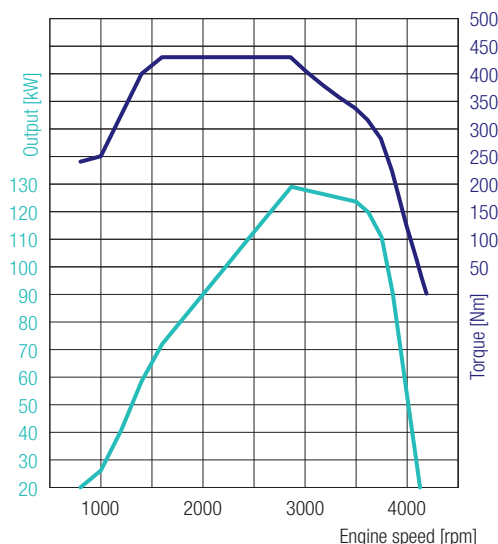
Empty weight*		3050
	Front* / rear*	1930 / 1120
Minimum vehicle weight		3105
Gross vehicle weight / gross combination weight		6500 / 10000
Axle loads*	Front / rear	2800 / 5125
Towed weight	Braked / unbraked	3500 / 750
Chassis load bearing capacity*		3450

CALCULATED OUTPUT

Maximum speed	km/h	130
Minimum turning circle (m)	Kerb to kerb	13.5
	Wall to wall	14.9

GROUND CLEARANCES AND APPROACH/DEPARTURE ANGLES

Ground clearance under axles	Front / rear	210 / 185
Approach angle	front / rear	35° / 25°



4P10 – 129 kW (175 PS)
 430 Nm@1600 rpm
 129 kW@2865 rpm

CANTER 6C18D 4x4 RHD

ENGINE (EURO VI)

Type	Water-cooled four-stroke diesel engine with turbocharger, intercooler and direct injection		
No. of cylinders	4/in-line		
Capacity	2998 cm ³		
Peak output	129 kW (175 hp) / 2865 rpm		
Rated torque	430 Nm / 1600 rpm		
Diesel particulate filter	Service life approx. 300,000 km		
Alternator	Alternating current 12 V, 140 A		
Exhaust gas aftertreatment	SCR + DPF		
PTO (optional)	Type	31 kW with flange	31 kW for directly connected pumps
	Torque at peak output [Nm]:	196 Nm	
	Gear ratios	1:0.644	1:0.638
	Engine speed at peak output	1500 rpm	

POWERTRAIN

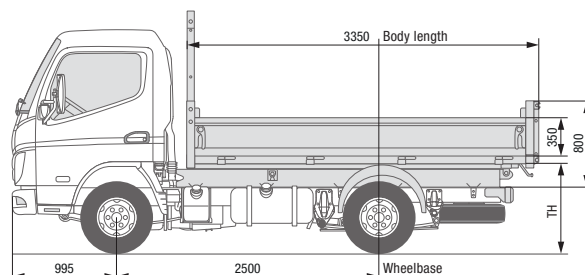
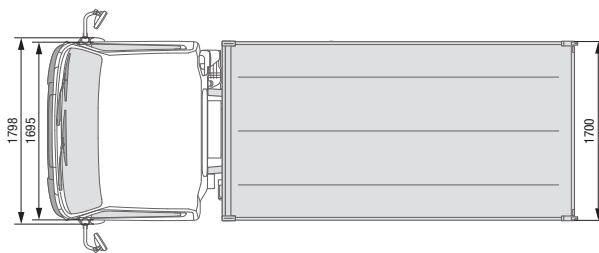
Transmission / all-wheel drive	Type	Manual gearbox, 5 forward gears, 1 reverse gear
	Gear ratio	5.494 - 3.193 - 1.689 - 1.000 - 0.723 - reverse 5.494
	Torque split 4x4	60% front / 40% rear
Rear axle gear ratio	Ratio	4.875

CHASSIS

Front axle / rear axle	Model	F200TW / R035T
	Load-bearing capacity front/rear	2800 kg / 5000 kg
Tyres		205/75R17.5C 124/122 M
		Twin tyres at rear, tyres with optimised rolling resistance
Wheel		17.5 x 6.00 - 127 - 9t - 6 wheel bolts
Steering		RHD
		Recirculating-ball steering with power assist, tilting telescopic steering column with steering-wheel lock
Brake	Service brake	Hydraulic with vacuum power assist, dual-circuit with load-dependent brake proportioning valve at rear wheels
	Front / rear	Drum brake (320 x 75.2L) / drum brake (320 x 110)
	Parking brake	Mechanical expanding brake on drive shaft at rear of transmission
	Auxiliary brake	Exhaust brake (50 kW)
Suspension	Front / rear	Semi-elliptic leaf spring with shock absorber and stabiliser
Frame	Type	Ladder-type frame with reinforcements and crossmembers
Fuel tank capacity		100 litres
Electrical system – batteries		12 V (100 AH - 760 A(EN))

* The weight refers to the base vehicle (European series, including coolant, oil, 90% fuel, tyre sealant, tools and driver with 75 kg) without optional equipment. If any optional equipment is added, the weight changes accordingly. ** Calculated maximum value which should be checked depending on the body and application.

Subject to change without notice. All data is approximate. The illustrations may contain accessories and items of optional equipment which are not part of the standard specification. The data sheet may contain product types and support services not available in certain countries.



REAR TIPPER **CANTER 3S13** **CANTER 3S13 DUONIC® 2.0**

VEHICLE TYPE WITH WORKS BODY		3S13	3S13 DUONIC® 2.0
Cab type / crew		Standard, single cab / 3	
Left-hand/right-hand drive		● / –	● / –
Model variant ^{1) 2)}		46900211	46901211
FUSO model code		FEA01BL4SEUW	FEA01BL3SEUW
Rear tipper, aluminium	MB Code / MTFE Code	–	
Rear tipper, steel	MB Code / MTFE Code	PV6 / 2F CABRETA rear tipper with steel side walls, robust, puncture-proof steel floor, tipping angle 45°	

DIMENSIONS (MM)			
Wheelbase		2500	2500
Body	Length	3350	3350
	Width	1700	1700
	Floor thickness	2.5	2.5
Overall height incl. subframe		800	800
Dropside height		350	350
Loading height of tipper floor (theoretical figure) ³⁾		1020	1020
Height of front wall guard incl. subframe		1705	1705

DIMENSIONS CHASSIS (MM)			
Vehicle overhang, rear		1516	1516
Vehicle overhang, front		990	990

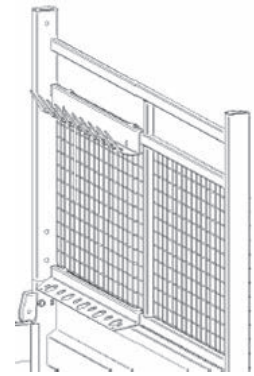
WEIGHTS (KG)			
Kerb weight incl. body	Total	2470	2490
	Front	1444	1458
	Rear	1026	1032
Body weight	Total	530	530
Gross vehicle weight / gross combination weight		3500 / 7000	3500 / 7000
Towed weight	Braked / unbraked	3500 / 750	3500 / 750
Axle loads, chassis	Front	1950	1950
	Rear	2500	2500
Payload	Total	1030	1010
Axle load reserves, chassis	Total	950	950

- available
- not available

- 1) Corresponds to MB model code
- 2) Information for left-hand-drive version only

- 3) Theoretical figure

Subject to change without notice. All data is approximate. The illustrations may contain accessories and items of optional equipment which are not part of the standard specification or are not available for all of the models listed. The data sheet may contain product types and support services not available in certain countries.



REAR TIPPER **CANTER 3S13** **CANTER 3S13 DUONIC® 2.0**

VEHICLE TYPE WITH WORKS BODY		3S13	3S13 DUONIC® 2.0
Cab type / crew		Standard, single cab / 3	
Left-hand/right-hand drive		● / –	● / –
Model variant ^{1) 2)}		46900211	46901211
FUSO model code ²⁾		FEA01BL4SEUW	FEA01BL3SEUW
Rear tipper, aluminium	MB Code / MTFE Code	–	
Rear tipper, steel	MB Code / MTFE Code	PV6 / 2F CABRETA rear tipper with steel side walls, robust, puncture-proof steel floor, tipping angle 45°	

STANDARD EQUIPMENT

Tipper + PVC guard on side walls, protective grate for tail lamps, side underride guard, rear underride guard, trailer coupling

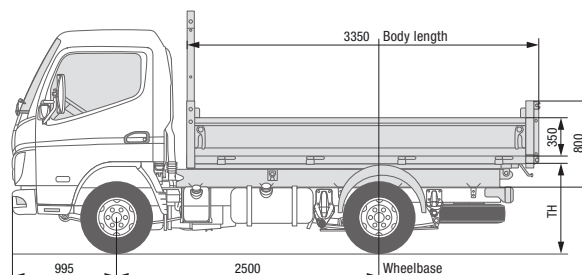
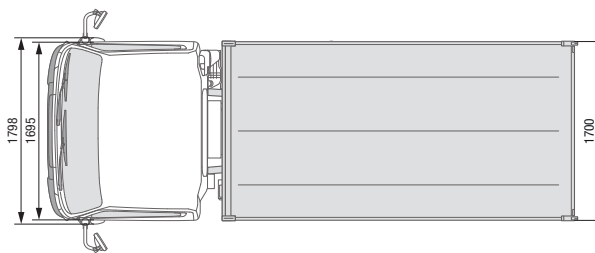
OPTIONS

Toolbox	YK0 / 2K Toolboxes on rear wall guard
OPTIONS (COMPULSORY)	
Trailer coupling socket without rear underride guard	EX5 / ED Electrical preparation for trailer coupling
Batteries, 2x12V / 100AH, maintenance-free	EE9 / EL Second battery for higher availability of the electro hydraulic tipper. Weight 30 kg
Body support brackets	CR8 / FK Support brackets on frame to make it easier to mount bodies. Weight approx. 6-12 kg (depending on model)

- available
- not available

- 1) Corresponds to MB model code
- 2) Information for left-hand-drive version only

Subject to change without notice. All data is approximate. The illustrations may contain accessories and items of optional equipment which are not part of the standard specification or are not available for all of the models listed. The data sheet may contain product types and support services not available in certain countries.



REAR TIPPER **CANTER 3S15** **CANTER 3S15 DUONIC® 2.0**

VEHICLE TYPE WITH WORKS BODY		3S15	3S15 DUONIC® 2.0
Cab type / crew		Standard, single cab / 3	
Left-hand/right-hand drive		● / –	● / –
Model variant ^{1) 2)}		46902211	46903211
FUSO model code ²⁾		FEA01BL4SEUX	FEA01BL3SEUX
Rear tipper, aluminium	MB Code / MTFE Code	–	
Rear tipper, steel	MB Code / MTFE Code	PV6 / 2F CABRETA rear tipper with steel side walls, robust, puncture-proof steel floor, tipping angle 45°	

DIMENSIONS (MM)			
Wheelbase		2500	2500
Body	Length	3350	3350
	Width	1700	1700
	Floor thickness	2.5	2.5
Overall height incl. subframe		800	800
Dropside height		350	350
Loading height of tipper floor (theoretical figure) ³⁾		1020	1020
Height of front wall guard incl. subframe		1705	1705

DIMENSIONS CHASSIS (MM)			
Vehicle overhang, rear		1516	1516
Vehicle overhang, front		990	990

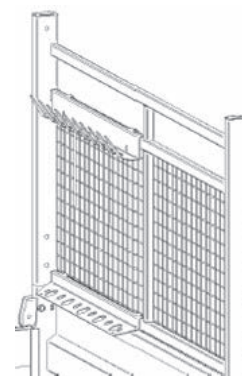
WEIGHTS (KG)			
Kerb weight incl. body	Total	2470	2490
	Front	1442	1463
	Rear	1128	1027
Body weight	Total	530	530
Gross vehicle weight / gross combination weight		3500 / 7000	3500 / 7000
Towed weight	Braked / unbraked	3500 / 750	3500 / 750
Axle loads, chassis	Front	1950	1950
	Rear	2500	2500
Payload	Total	1030	1010
Axle load reserves, chassis	Total	950	950

- available
- not available

- 1) Corresponds to MB model code
- 2) Information for left-hand-drive version only

- 3) Theoretical figure

Subject to change without notice. All data is approximate. The illustrations may contain accessories and items of optional equipment which are not part of the standard specification or are not available for all of the models listed. The data sheet may contain product types and support services not available in certain countries.



REAR TIPPER **CANTER 3S15** **CANTER 3S15 DUONIC® 2.0**

VEHICLE TYPE WITH WORKS BODY		3S15	3S15 DUONIC® 2.0
Cab type / crew		Standard, single cab / 3	
Left-hand/right-hand drive		● / –	● / –
Model variant ^{1) 2)}		46902211	46903211
FUSO model code ²⁾		FEA01BL4SEUX	FEA01BL3SEUX
Rear tipper, aluminium	MB Code / MTFE Code	–	
Rear tipper, steel	MB Code / MTFE Code	PV6 / 2F CABRETA rear tipper with steel side walls, robust, puncture-proof steel floor, tipping angle 45°	

STANDARD EQUIPMENT

Tipper + PVC guard on side walls, protective grate for tail lamps, side underride guard, rear underride guard, trailer coupling

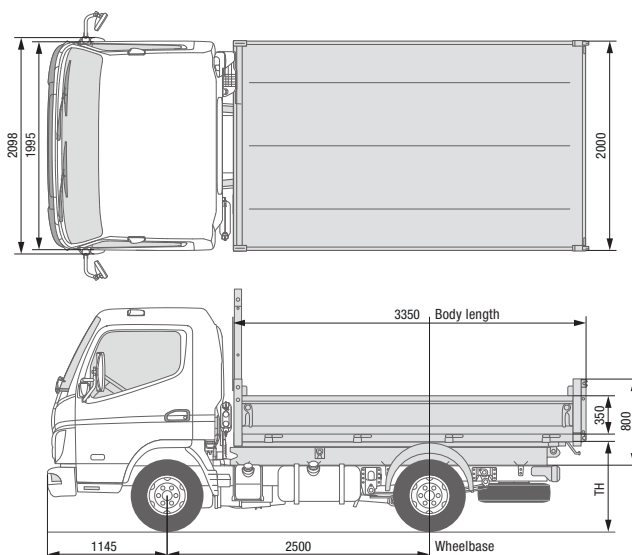
OPTIONS

Toolbox	YK0 / 2K Toolboxes on rear wall guard
OPTIONS (COMPULSORY)	
Trailer coupling socket without rear underride guard	EX5 / ED Electrical preparation for trailer coupling
Batteries, 2x12V / 100AH, maintenance-free	EE9 / EL Second battery for higher availability of the electro hydraulic tipper. Weight 30 kg
Body support brackets	CR8 / FK Support brackets on frame to make it easier to mount bodies. Weight approx. 6-12 kg (depending on model)

- available
- not available

- 1) Corresponds to MB model code
- 2) Information for left-hand-drive version only

Subject to change without notice. All data is approximate. The illustrations may contain accessories and items of optional equipment which are not part of the standard specification or are not available for all of the models listed. The data sheet may contain product types and support services not available in certain countries.



REAR TIPPER **CANTER 3C13** **CANTER 3C13 DUONIC® 2.0**

VEHICLE TYPE WITH WORKS BODY		3C13	3C13 DUONIC® 2.0
Cab type / crew		Comfort, standard, single cab / 3	
Left-hand/right-hand drive		● / ●	● / ●
Model variant ^{1) 2)}		46904211	46905211
FUSO model code ²⁾		FEB01BL4SEUW	FEB01BL3SEUW
Rear tipper, aluminium	MB Code / MTFE Code	PV5 / 2G CABRETA rear tipper with reinforced aluminium side walls, reinforced aluminium floor, tipping angle 45°	
Rear tipper, steel	MB Code / MTFE Code	PV6 / 2F CABRETA rear tipper with steel side walls, robust, puncture-proof steel floor, tipping angle 45°	

DIMENSIONS (MM)			
Wheelbase		2500	2500
Body	Length	3350	3350
	Width	2000	2000
	Floor thickness ⁴⁾	4.0 (2.5)	4.0 (2.5)
Overall height incl. subframe		800	800
Dropside height		350	350
Loading height of tipper floor (theoretical figure) ³⁾		1020	1020
Height of front wall guard incl. subframe		1705	1705

DIMENSIONS CHASSIS (MM)			
Vehicle overhang, rear		1145	1145
Vehicle overhang, front		1145	1145

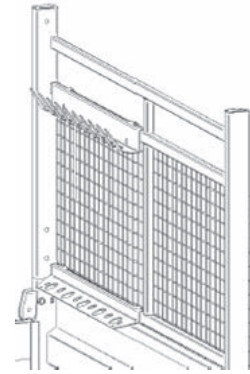
WEIGHTS (KG)			
Kerb weight incl. body ⁴⁾	Total	2478 (2620)	2498 (2640)
	Front	1505 (1504)	1526 (1525)
	Rear	973 (1116)	972 (1115)
Body weight	Total	438 (580)	438 (580)
Gross vehicle weight / gross combination weight		3500 / 7000	3500 / 7000
Towed weight	Braked / unbraked	3500 / 750	3500 / 750
Axle loads, chassis	Front	1950	1950
	Rear	2500	2500
Payload ⁴⁾	Total	1022 (880)	1002 (860)
Axle load reserves, chassis	Total	950	950

● available
– not available

1) Corresponds to MB model code
2) Information for left-hand-drive version only

3) Theoretical figure
4) Side walls in aluminium (steel)

Subject to change without notice. All data is approximate. The illustrations may contain accessories and items of optional equipment which are not part of the standard specification or are not available for all of the models listed. The data sheet may contain product types and support services not available in certain countries.



REAR TIPPER **CANTER 3C13** **CANTER 3C13 DUONIC® 2.0**

VEHICLE TYPE WITH WORKS BODY		3C13	3C13 DUONIC® 2.0
Cab type / crew		Comfort, standard, single cab / 3	
Left-hand/right-hand drive		● / ●	● / ●
Model variant ^{1) 2)}		46904211	46905211
FUSO model code ²⁾		FEB01BL4SEUW	FEB01BL3SEUW
Rear tipper, aluminium	MB Code / MTFE Code	PV5 / 2G CABRETA rear tipper with reinforced aluminium side walls, reinforced aluminium floor, tipping angle 45°	
Rear tipper, steel	MB Code / MTFE Code	PV6 / 2F CABRETA rear tipper with steel side walls, robust, puncture-proof steel floor, tipping angle 45°	

STANDARD EQUIPMENT	
Tipper + PVC guard on side walls, protective grate for tail lamps, side underride guard, rear underride guard, trailer coupling	

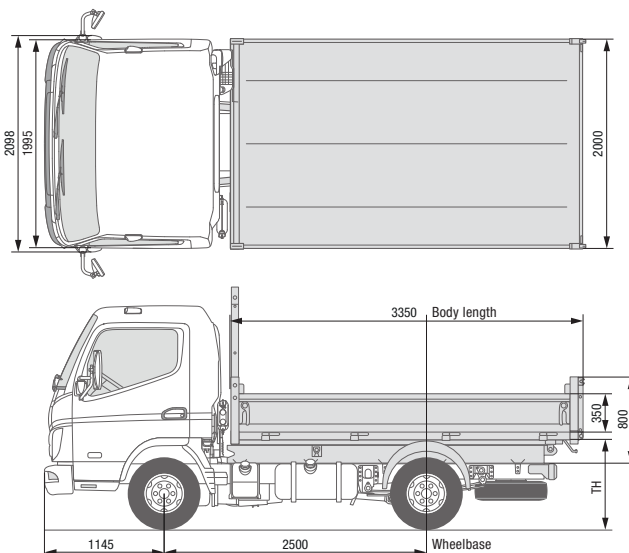
OPTIONS	
Universal tailgate	PN7 / 2L Dual tailgate
Toolbox	YK0 / 2K Toolboxes on rear wall guard

OPTIONS (COMPULSORY)	
Trailer coupling socket without rear underride guard	EX5 / ED Electrical preparation for trailer coupling
Batteries, 2x12V / 100AH, maintenance-free	EE9 / EL Second battery for higher availability of the electro hydraulic tipper. Weight 30 kg
Body support brackets	CR8 / FK Support brackets on frame to make it easier to mount bodies. Weight approx. 6-12 kg (depending on model)

- available
- not available

- 1) Corresponds to MB model code
- 2) Information for left-hand-drive version only

Subject to change without notice. All data is approximate. The illustrations may contain accessories and items of optional equipment which are not part of the standard specification or are not available for all of the models listed. The data sheet may contain product types and support services not available in certain countries.



REAR TIPPER **CANTER 3C15** **CANTER 3C15 DUONIC® 2.0**

VEHICLE TYPE WITH WORKS BODY		3C15	3C15 DUONIC® 2.0
Cab type / crew		Comfort, standard, single cab / 3	
Left-hand/right-hand drive		● / ●	● / ●
Model variant ^{1) 2)}		46906211	46907211
FUSO model code ²⁾		FEB01BL4SEUX	FEB01BL3SEUX
Rear tipper, aluminium	MB Code / MTFE Code	PV5 / 2G CABRETA rear tipper with reinforced aluminium side walls, reinforced aluminium floor, tipping angle 45°	
Rear tipper, steel	MB Code / MTFE Code	PV6 / 2F CABRETA rear tipper with steel side walls, robust, puncture-proof steel floor, tipping angle 45°	

DIMENSIONS (MM)			
Wheelbase		2500	2500
Body	Length	3350	3350
	Width	2000	2000
	Floor thickness ⁴⁾	4.0 (2.5)	4.0 (2.5)
Overall height incl. subframe		800	800
Dropside height		350	350
Loading height of tipper floor (theoretical figure) ³⁾		1020	1020
Height of front wall guard incl. subframe		1705	1705

DIMENSIONS CHASSIS (MM)			
Vehicle overhang, rear		1145	1145
Vehicle overhang, front		1145	1145

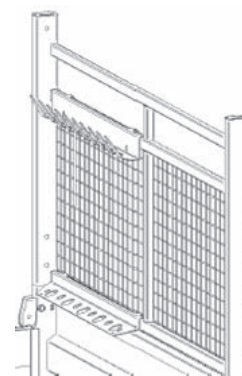
WEIGHTS (KG)			
Kerb weight incl. body ⁴⁾	Total	2478 (2620)	2498 (2640)
	Front	1504 (1504)	1526 (1525)
	Rear	973 (1116)	972 (1115)
Body weight	Total	438 (580)	438 (580)
Gross vehicle weight / gross combination weight		3500 / 7000	3500 / 7000
Towed weight	Braked / unbraked	3500 / 750	3500 / 750
Axle loads, chassis	Front	1950	1950
	Rear	2500	2500
Payload ⁴⁾	Total	1022 (880)	1002 (860)
Axle load reserves, chassis	Total	950	950

- available
- not available

- 1) Corresponds to MB model code
- 2) Information for left-hand-drive version only

- 3) Theoretical figure
- 4) Side walls in aluminium (steel)

Subject to change without notice. All data is approximate. The illustrations may contain accessories and items of optional equipment which are not part of the standard specification or are not available for all of the models listed. The data sheet may contain product types and support services not available in certain countries.



REAR TIPPER **CANTER 3C15** **CANTER 3C15 DUONIC® 2.0**

VEHICLE TYPE WITH WORKS BODY		3C15	3C15 DUONIC® 2.0
Cab type / crew		Comfort, standard, single cab / 3	
Left-hand/right-hand drive		● / ●	● / ●
Model variant ^{1) 2)}		46906211	46907211
FUSO model code ²⁾		FEB01BL4SEUX	FEB01BL3SEUX
Rear tipper, aluminium	MB Code / MTFE Code	PV5 / 2G CABRETA rear tipper with reinforced aluminium side walls, reinforced aluminium floor, tipping angle 45°	
Rear tipper, steel	MB Code / MTFE Code	PV6 / 2F CABRETA rear tipper with steel side walls, robust, puncture-proof steel floor, tipping angle 45°	

STANDARD EQUIPMENT

Tipper + PVC guard on side walls, protective grate for tail lamps,
side underride guard, rear underride guard, trailer coupling

OPTIONS

Universal tailgate	PN7 / 2L Dual tailgate
Toolbox	YK0 / 2K Toolboxes on rear wall guard

OPTIONS (COMPULSORY)

Trailer coupling socket without rear underride guard	EX5 / ED Electrical preparation for trailer coupling
Batteries, 2x12V / 100AH, maintenance-free	EE9 / EL Second battery for higher availability of the electro hydraulic tipper. Weight 30 kg
Body support brackets	CR8 / FK Support brackets on frame to make it easier to mount bodies. Weight approx. 6-12 kg (depending on model)

- available
- not available

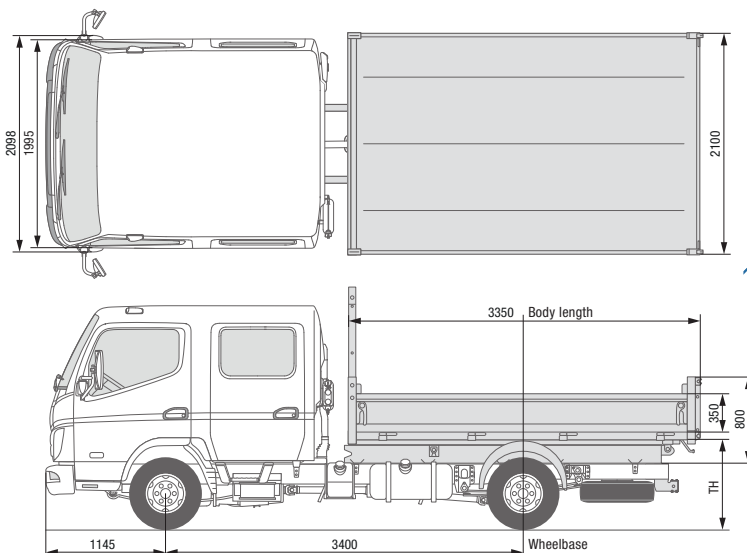
- 1) Corresponds to MB model code
- 2) Information for left-hand-drive version only

Subject to change without notice. All data is approximate. The illustrations may contain accessories and items of optional equipment which are not part of the standard specification or are not available for all of the models listed. The data sheet may contain product types and support services not available in certain countries.



Crew cab photo to be submitted later.

REAR TIPPER **CANTER 3C15D** **CANTER 3C15D DUONIC® 2.0**



VEHICLE TYPE WITH WORKS BODY		3C15D	3C15D DUONIC® 2.0
Cab type / crew		Comfort, crew cab / 7	
Left-hand/right-hand drive		● / ●	● / ●
Model variant ^{1) 2)}		46906513	46907513
FUSO model code ²⁾		FEB01EL4WEUX	FEB01EL3WEUX
Rear tipper, aluminium	MB Code / MTFE Code	PV5 / 2G CABRETA rear tipper with reinforced aluminium side walls, reinforced aluminium floor, tipping angle 45°	
Rear tipper, steel	MB Code / MTFE Code	PV6 / 2F CABRETA rear tipper with steel side walls, robust, puncture-proof steel floor, tipping angle 45°	

DIMENSIONS (MM)			
Wheelbase		3400	3400
Body	Length	3350	3350
	Width	2100	2100
	Floor thickness ⁴⁾	4.0 (2.5)	4.0 (2.5)
Overall height incl. subframe		800	800
Dropside height		350	350
Loading height of tipper floor (theoretical figure) ³⁾		995	995
Height of front wall guard incl. subframe		1700	1700

DIMENSIONS CHASSIS (MM)			
Vehicle overhang, rear		1395	1395
Vehicle overhang, front		1145	1145

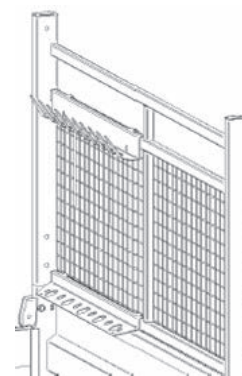
WEIGHTS (KG)			
Kerb weight incl. body ⁴⁾	Total	2733 (2875)	2753 (2895)
	Front	1666 (1752)	1682 (1767)
	Rear	1067 (1123)	1071 (1128)
Body weight	Total	438 (580)	438 (580)
Gross vehicle weight / gross combination weight		3500 / 7000	3500 / 7000
Towed weight	Braked / unbraked	3500 / 750	3500 / 750
Axle loads, chassis	Front	1950	1950
	Rear	2500	2500
Payload	Total	767 (625)	747 (605)
Axle load reserves, chassis	Total	950	950

- available
- not available

- 1) Corresponds to MB model code
- 2) Information for left-hand-drive version only

- 3) Theoretical figure
- 4) Side walls in aluminium (steel)

Subject to change without notice. All data is approximate. The illustrations may contain accessories and items of optional equipment which are not part of the standard specification or are not available for all of the models listed. The data sheet may contain product types and support services not available in certain countries.



REAR TIPPER **CANTER 3C15D** **CANTER 3C15D DUONIC® 2.0**

VEHICLE TYPE WITH WORKS BODY		3C15D	3C15D DUONIC® 2.0
Cab type / crew		Comfort, crew cab / 7	
Left-hand/right-hand drive		● / ●	● / ●
Model variant ^{1) 2)}		46906513	46907513
FUSO model code ²⁾		FEB01EL4WEUX	FEB01EL3WEUX
Rear tipper, aluminium	MB Code / MTFE Code	PV5 / 2G CABRETA rear tipper with reinforced aluminium side walls, reinforced aluminium floor, tipping angle 45°	
Rear tipper, steel	MB Code / MTFE Code	PV6 / 2F CABRETA rear tipper with steel side walls, robust, puncture-proof steel floor, tipping angle 45°	

STANDARD EQUIPMENT

Tipper + PVC guard on side walls, protective grate for tail lamps,
side underride guard, rear underride guard, trailer coupling

OPTIONS

Universal tailgate	PN7 / 2L Dual tailgate
Toolbox	YK0 / 2K Toolboxes on rear wall guard

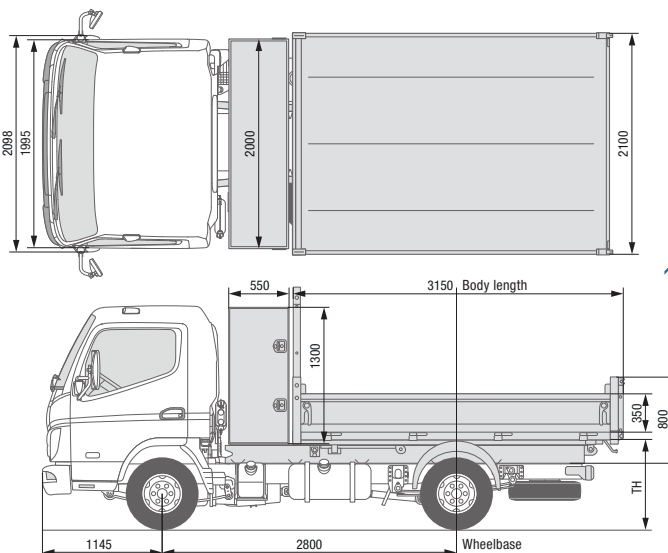
OPTIONS (COMPULSORY)

Trailer coupling socket without rear underrideguard	EX5 / ED Electrical preparation for trailer coupling
Batteries, 2x12V / 100AH, maintenance-free	EE9 / EL Second battery for higher availability of the electro hydraulic tipper. Weight 30 kg
Body support brackets	CR8 / FK Support brackets on frame to make it easier to mount bodies. Weight approx. 6-12 kg (depending on model)

- available
- not available

- 1) Corresponds to MB model code
- 2) Information for left-hand-drive version only

Subject to change without notice. All data is approximate. The illustrations may contain accessories and items of optional equipment which are not part of the standard specification or are not available for all of the models listed. The data sheet may contain product types and support services not available in certain countries.



REAR TIPPER CANTER 3C13 CANTER 3C13 DUONIC® 2.0

VEHICLE TYPE WITH WORKS BODY		3C13	3C13 DUONIC® 2.0
Cab type / crew		Comfort, single cab / 3	
Left-hand/right-hand drive		● / ●	● / ●
Model variant ^{1) 2)}		46904211	46905211
FUSO model code ²⁾		FEB01CL4SEUW	FEB01CL3SEUW
Rear tipper, aluminium	MB Code / MTFE Code	PV3 / 2J CABRETA rear tipper with reinforced aluminium side walls and toolbox, reinforced aluminium floor, tipping angle 45°	
Rear tipper, steel	MB Code / MTFE Code	PN6 / 2H CABRETA rear tipper with steel side walls and toolbox, robust, puncture-proof steel floor, tipping angle 45°	

DIMENSIONS (MM)			
Wheelbase		2800	2800
Body	Length	3150 + 616	3150 + 616
	Width	2100	2100
	Floor thickness ⁴⁾	4.0 (2.5)	4.0 (2.5)
Overall height incl. subframe		800	800
Dropside height		350	350
Loading height of tipper floor (theoretical figure) ³⁾		1020	1020
Height of front wall guard incl. subframe		1705	1705

DIMENSIONS CHASSIS (MM)			
Vehicle overhang, rear		1195	1195
Vehicle overhang, front		1145	1145

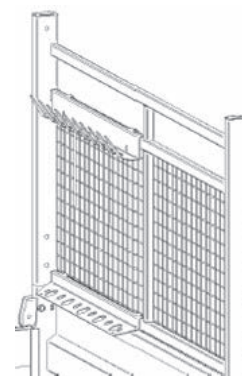
WEIGHTS (KG)			
Kerb weight incl. body ⁴⁾	Total	2568 (2765)	2593 (2790)
	Front	1581 (1583)	1588 (1611)
	Rear	987 (1182)	1005 (1179)
Body weight	Total	523 (720)	523 (720)
Gross vehicle weight / gross combination weight		3500 / 7000	3500 / 7000
Towed weight	Braked / unbraked	3500 / 750	3500 / 750
	Axle loads, chassis	Front	1950
	Rear	2500	2500
Payload ⁴⁾	Total	932 (735)	907 (710)
Axle load reserves, chassis	Total	950	950

- available
- not available

- 1) Corresponds to MB model code
- 2) Information for left-hand-drive version only

- 3) Theoretical figure
- 4) Side walls in aluminium (steel)

Subject to change without notice. All data is approximate. The illustrations may contain accessories and items of optional equipment which are not part of the standard specification or are not available for all of the models listed. The data sheet may contain product types and support services not available in certain countries.



REAR TIPPER **CANTER 3C13** **CANTER 3C13 DUONIC® 2.0**

VEHICLE TYPE WITH WORKS BODY		3C13	3C13 DUONIC® 2.0
Cab type / crew		Comfort, single cab / 3	
Left-hand/right-hand drive		● / ●	● / ●
Model variant ^{1) 2)}		46904211	46905211
FUSO model code ²⁾		FEA01BL4SEUW	FEA01BL3SEUW
Rear tipper, aluminium	MB Code / MTFE Code	PV3 / 2J CABRETA rear tipper with reinforced aluminium side walls and toolbox, reinforced aluminium floor, tipping angle 45°	
Rear tipper, steel	MB Code / MTFE Code	PN6 / 2H CABRETA rear tipper with steel side walls and toolbox, robust, puncture-proof steel floor, tipping angle 45°	

STANDARD EQUIPMENT

Tipper + PVC guard on side walls, protective grate for tail lamps, side underride guard, rear underride guard, trailer coupling

OPTIONS

Universal tailgate	PN7 / 2L Dual tailgate
Toolbox	YK0 / 2K Toolboxes on rear wall guard

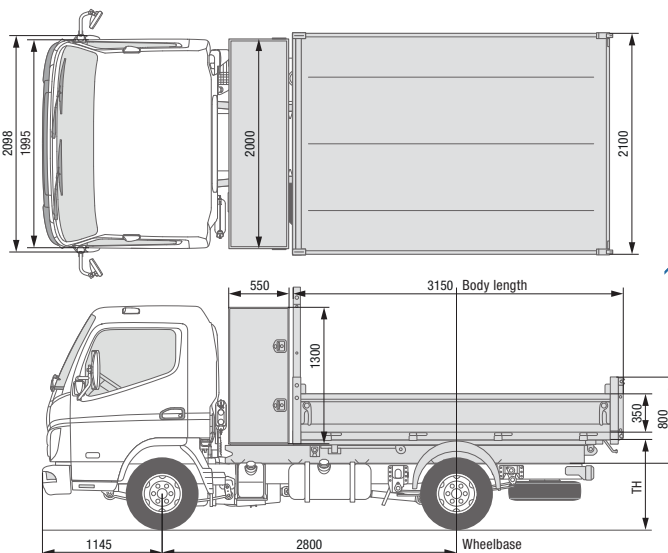
OPTIONS (COMPULSORY)

Trailer coupling socket without rear underride guard	EX5 / ED Electrical preparation for trailer coupling
Batteries, 2x12V / 100AH, maintenance-free	EE9 / EL Second battery for higher availability of the electro hydraulic tipper. Weight 30 kg
Body support brackets	CR8 / FK Support brackets on frame to make it easier to mount bodies. Weight approx. 6-12 kg (depending on model)

- available
- not available

- 1) Corresponds to MB model code
- 2) Information for left-hand-drive version only

Subject to change without notice. All data is approximate. The illustrations may contain accessories and items of optional equipment which are not part of the standard specification or are not available for all of the models listed. The data sheet may contain product types and support services not available in certain countries.



REAR TIPPER CANTER 3C15 CANTER 3C15 DUONIC® 2.0

VEHICLE TYPE WITH WORKS BODY		3C15	3C15 DUONIC® 2.0
Cab type / crew		Comfort, single cab / 3	
Left-hand/right-hand drive		● / ●	● / ●
Model variant ^{1) 2)}		46906211	46907211
FUSO model code ²⁾		FEB01CL4SEUX	FEB01CL3SEUX
Rear tipper, aluminium	MB Code / MTFE Code	PV3 / 2J	
CABRETA rear tipper with reinforced aluminium side walls and toolbox, reinforced aluminium floor, tipping angle 45°			
Rear tipper, steel	MB Code / MTFE Code	PN6 / 2H	
CABRETA rear tipper with steel side walls and toolbox, robust, puncture-proof steel floor, tipping angle 45°			

DIMENSIONS (MM)			
Wheelbase		2800	2800
Body	Length	3150 + 616	3150 + 616
	Width	2100	2100
	Floor thickness ⁴⁾	4.0 (2.5)	4.0 (2.5)
Overall height incl. subframe		800	800
Dropside height		350	350
Loading height of tipper floor (theoretical figure) ³⁾		1020	1020
Height of front wall guard incl. subframe		1705	1705

DIMENSIONS CHASSIS (MM)			
Vehicle overhang, rear		1195	1195
Vehicle overhang, front		1145	1145

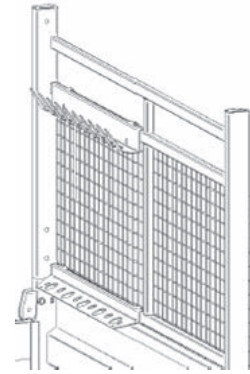
WEIGHTS (KG)			
Kerb weight incl. body ⁴⁾	Total	2573 (2770)	2593 (2790)
	Front	1581 (1583)	1588 (1601)
	Rear	992 (1187)	1005 (1179)
Body weight	Total	523 (720)	523 (720)
Gross vehicle weight / gross combination weight		3500 / 7000	3500 / 7000
Towed weight	Braked / unbraked	3500 / 750	3500 / 750
Axle loads, chassis	Front	1950	1950
	Rear	2500	2500
Payload ⁴⁾	Total	927 (730)	807 (710)
Axle load reserves, chassis	Total	950	950

- available
- not available

- 1) Corresponds to MB model code
2) Information for left-hand-drive version only

- 3) Theoretical figure
4) Side walls in aluminium (steel)

Subject to change without notice. All data is approximate. The illustrations may contain accessories and items of optional equipment which are not part of the standard specification or are not available for all of the models listed. The data sheet may contain product types and support services not available in certain countries.



REAR TIPPER **CANTER 3C15** **CANTER 3C15 DUONIC® 2.0**

VEHICLE TYPE WITH WORKS BODY		3C15	3C15 DUONIC® 2.0
Cab type / crew		Comfort, single cab / 3	
Left-hand/right-hand drive		● / ●	● / ●
Model variant ^{1) 2)}		46906211	46907211
FUSO model code ²⁾		FEA01BL4SEUX	FEA01BL3SEUX
Rear tipper, aluminium	MB Code / MTFE Code	PV3 / 2J CABRETA rear tipper with reinforced aluminium side walls and toolbox, reinforced aluminium floor, tipping angle 45°	
Rear tipper, steel	MB Code / MTFE Code	PN6 / 2H CABRETA rear tipper with steel side walls and toolbox, robust, puncture-proof steel floor, tipping angle 45°	

STANDARD EQUIPMENT

Tipper + PVC guard on side walls, protective grate for tail lamps, side underride guard, rear underride guard, trailer coupling

OPTIONS

Universal tailgate	PN7 / 2L Dual tailgate
Toolbox	YK0 / 2K Toolboxes on rear wall guard

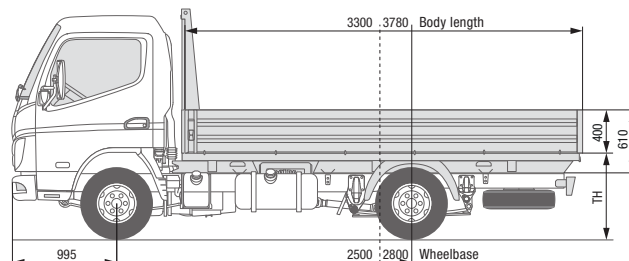
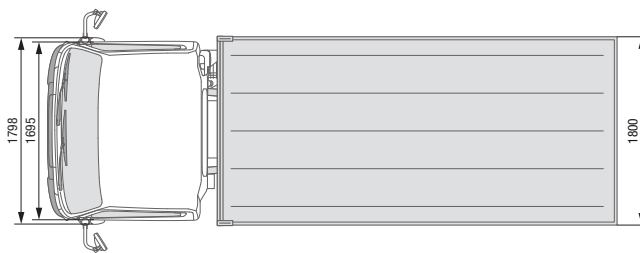
OPTIONS (COMPULSORY)

Trailer coupling socket without rear underride guard	EX5 / ED Electrical preparation for trailer coupling
Batteries, 2x12V / 100AH, maintenance-free	EE9 / EL Second battery for higher availability of the electro hydraulic tipper. Weight 30 kg
Body support brackets	CR8 / FK Support brackets on frame to make it easier to mount bodies. Weight approx. 6-12 kg (depending on model)

- available
- not available

- 1) Corresponds to MB model code
- 2) Information for left-hand-drive version only

Subject to change without notice. All data is approximate. The illustrations may contain accessories and items of optional equipment which are not part of the standard specification or are not available for all of the models listed. The data sheet may contain product types and support services not available in certain countries.



PLATFORM **SCATTOLINI**

CANTER 3S13

CANTER 3S13 DUONIC® 2.0

VEHICLE TYPE WITH WORKS BODY	3S13				3S13 DUONIC® 2.0	
Cab type / crew	Standard, single cab / 3					
Left-hand/right-hand drive	● / –	● / –	● / –	● / –	● / –	● / –
Model variant ^{1) 2)}	46900211	46900311	46900511	46901211	46901311	46901511
FUSO model code ²⁾	FEA01BL4SEUW	FEA01CL4SEUW	FEA01EL4SEUW	FEA01BL3SEUW	FEA01CL3SEUW	FEA01EL3SEUW
Platform, aluminium	OS1 / 1F					
MB Code / MTFE Code	SCATTOLINI platform with aluminium side walls, sandwich floor with water-resistant bonding, non-slip					

DIMENSIONS (MM)		2500	2800	3400	2500	2800	3400
Wheelbase		2500	2800	3400	2500	2800	3400
Body	Length	3300	3780	4300	3300	3780	4300
	Width	1900	1900	1800	1900	1900	1800
	Floor thickness	15	15	15	15	15	15
Overall height incl. subframe		610	610	610	610	610	610
Dropside height		400	400	400	400	400	400
Loading height of platform floor (theoretical figure) ³⁾		945	940	980	945	940	980
Height of front wall guard incl. subframe		1535			1535		

DIMENSIONS CHASSIS (MM)		1425	1605	1550	1425	1605	1550
Vehicle overhang, rear		1425	1605	1550	1425	1605	1550
Vehicle overhang, front		995			995		

WEIGHTS (KG)		2360*	2360*	2325	2355*	2355*	2325
Kerb weight incl. body	Total	2360*	2360*	2325	2355*	2355*	2325
	Front	1435	1459	1520	1447	1459	1520
	Rear	925	901	805	908	896	805
Body weight		420*	405*	335	385*	375*	335
Gross vehicle weight / gross combination weight		3500 / 7000			3500 / 7000		
Towed weight	Braked / unbraked	3500 / 750			3500 / 750		
Axle loads, chassis	Front	1950			1950		
	Rear	2500			2500		
Payload	Total	1140	1140	1175	1145	1145	1175
Axle load reserves, chassis	Total	950			950		

- available
- not available

- 1) Corresponds to MB model code
- 2) Information for left-hand-drive version only

- 3) Theoretical figure

* including auxiliary weight up to 2355 kg (Reference Mass Regulation)

Subject to change without notice. All data is approximate. The illustrations may contain accessories and items of optional equipment which are not part of the standard specification or are not available for all of the models listed. The data sheet may contain product types and support services not available in certain countries.



PLATFORM **SCATTOLINI**

CANTER 3S13

CANTER 3S13 DUONIC® 2.0

VEHICLE TYPE WITH WORKS BODY	3S13			3S13 DUONIC® 2.0		
Cab type / crew	Standard, single cab / 3					
Left-hand/right-hand drive	● / –	● / –	● / –	● / –	● / –	● / –
Model variant ^{1) 2)}	46900211	46900311	46900511	46901211	46901311	46901511
FUSO model code ²⁾	FEA01BL4SEUW	FEA01CL4SEUW	FEA01EL4SEUW	FEA01BL3SEUW	FEA01CL3SEUW	FEA01EL3SEUW
Platform, aluminium	MB Code / MTFE Code			OS1 / 1F		
	SCATTOLINI platform with aluminium side walls, sandwich floor with water-resistant bonding, non-slip					
OPTIONS						
Material carrier at rear				PZ9 / 1R		
	Additional material carrier at rear of the platform body for transporting long building materials and ladders. Weight 20 kg					
Side underride guard				WY3 / 1S		
	Additional underride guard fitted to the frame at the sides between the axles; aluminium section with plastic end caps. Weight 11-12 kg					
Toolbox				WP5 / 1L		
	Toolbox fitted to the frame at the side. Plastic box that is protected from spray water measuring 440 x 330 x 280 mm (B x H x D). Weight 6 kg					

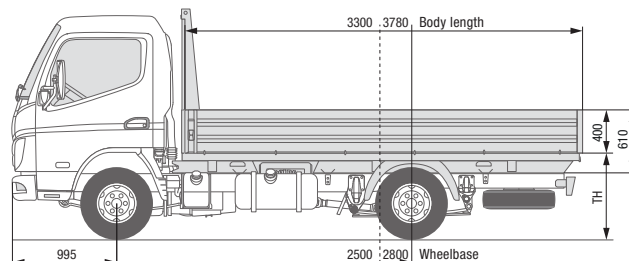
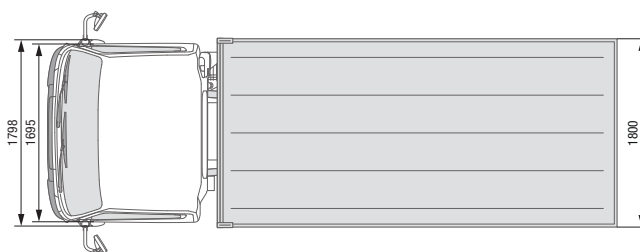
OPTIONS (COMPULSORY)

Body support brackets	CR8 / FK					
	Support brackets on frame to make it easier to mount bodies. The shackles are attached to the chassis frame by means of rivets. Weight approx. 6-12 kg (depending on model)					

- available
- not available

- 1) Corresponds to MB model code
2) Information for left-hand-drive version only

Subject to change without notice. All data is approximate. The illustrations may contain accessories and items of optional equipment which are not part of the standard specification or are not available for all of the models listed. The data sheet may contain product types and support services not available in certain countries.



PLATFORM **SCATTOLINI**

CANTER 3S15

CANTER 3S15 DUONIC® 2.0

VEHICLE TYPE WITH WORKS BODY	3S15		3S15 DUONIC® 2.0	
Cab type / crew	Standard, single cab / 3			
Left-hand/right-hand drive	● / –	● / –	● / –	● / –
Model variant ^{1) 2)}	46902211	46902311	46903211	46903311
FUSO model code ²⁾	FEA01BL4SEUX	FEA01CL4SEUX	FEA01BL3SEUX	FEA01CL3SEUX
Platform, aluminium	OS1 / 1F			
MB Code / MTFE Code	SCATTOLINI platform with aluminium side walls, sandwich floor with water-resistant bonding, non-slip			

DIMENSIONS (MM)					
Wheelbase		2500	2800	2500	2800
Body	Length	3300	3780	3300	3780
	Width	1900	1900	1900	1900
	Floor thickness	15	15	15	15
Overall height incl. subframe		610	610	610	610
Dropside height		400	400	400	400
Loading height of platform floor (theoretical figure) ³⁾		945	940	945	940
Height of front wall guard incl. subframe		1535		1535	

DIMENSIONS CHASSIS (MM)					
Vehicle overhang, rear		1425	1605	1425	1605
Vehicle overhang, front		995	995	995	995

WEIGHTS (KG)					
Kerb weight incl. body	Total	2355*	2355*	2355*	2355*
	Front	1402	1426	1411	1435
	Rear	953	929	944	920
Body weight*		435	425	415	405
Gross vehicle weight / gross combination weight		3500 / 7000		3500 / 7000	
Towed weight	Braked / unbraked	3500 / 750		3500 / 750	
Axle loads, chassis	Front	1950		1950	
	Rear	2500		2500	
Payload	Total	1145	1145	1145	1145
Axle load reserves, chassis	Total	950		950	

- available
- not available

- 1) Corresponds to MB model code
- 2) Information for left-hand-drive version only

- 3) Theoretical figure

* including auxiliary weight up to 2355 kg (Reference Mass Regulation)

Subject to change without notice. All data is approximate. The illustrations may contain accessories and items of optional equipment which are not part of the standard specification or are not available for all of the models listed. The data sheet may contain product types and support services not available in certain countries.



PLATFORM **SCATTOLINI**

CANTER 3S15

CANTER 3S15 DUONIC® 2.0

VEHICLE TYPE WITH WORKS BODY		3S15		3S15 DUONIC® 2.0	
Cab type / crew		Standard, single cab / 3			
Left-hand/right-hand drive		● / –	● / –	● / –	● / –
Model variant ^{1) 2)}		46902211	46902311	46903211	46903311
FUSO model code ²⁾		FEA01BL4SEUX	FEA01CL4SEUX	FEA01BL3SEUX	FEA01CL3SEUX
Platform, aluminium		MB Code / MTFE Code OS1 / 1F SCATTOLINI platform with aluminium side walls, sandwich floor with water-resistant bonding, non-slip			
OPTIONS					
Material carrier at rear		PZ9 / 1R Additional material carrier at rear of the platform body for transporting long building materials and ladders. Weight 20 kg			
Side underride guard		WY3 / 1S Additional underride guard fitted to the frame at the sides between the axles; aluminium section with plastic end caps. Weight 11-12 kg			
Toolbox		WP5 / 1L Toolbox fitted to the frame at the side. Plastic box that is protected from spray water measuring 440 x 330 x 280 mm (B x H x D). Weight 6 kg			

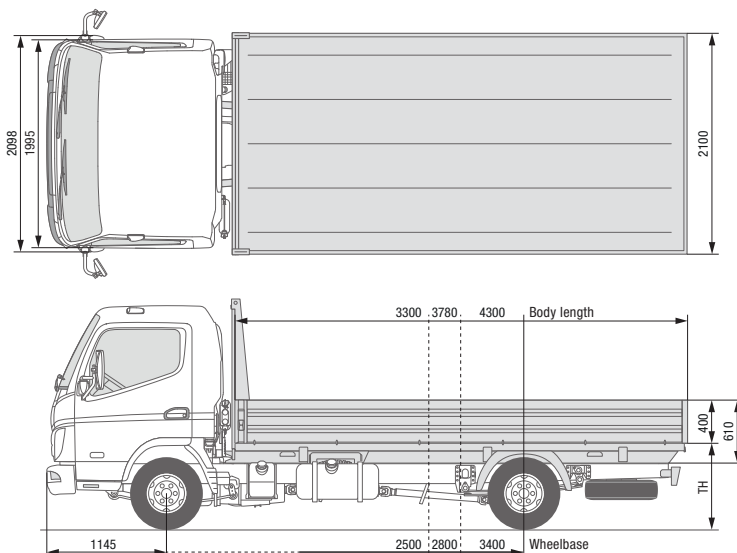
OPTIONS (COMPULSORY)

Body support brackets		CR8 / FK Support brackets on frame to make it easier to mount bodies. The shackles are attached to the chassis frame by means of rivets. Weight approx. 6-12 kg (depending on model)			
-----------------------	--	--	--	--	--

- available
- not available

- 1) Corresponds to MB model code
 2) Information for left-hand-drive version only

Subject to change without notice. All data is approximate. The illustrations may contain accessories and items of optional equipment which are not part of the standard specification or are not available for all of the models listed. The data sheet may contain product types and support services not available in certain countries.



PLATFORM **SCATTOLINI**

CANTER 3C13

CANTER 3C13 DUONIC® 2.0

VEHICLE TYPE WITH WORKS BODY	3C13			3C13 DUONIC® 2.0		
Cab type / crew	Comfort, single cab / 3					
Left-hand/right-hand drive	● / ●	● / ●	● / ●	● / ●	● / ●	● / ●
Model variant ^{1) 2)}	46904211	46904311	46904511	46905211	46905311	46905511
FUSO model code ²⁾	FEB01BL4SEUW	FEB01CL4SEUW	FEB01EL4SEUW	FEB01BL3SEUW	FEB01CL3SEUW	FEB01EL3SEUW
Platform, aluminium	OS1 / 1F					
MB Code / MTFE Code	SCATTOLINI platform with aluminium side walls, sandwich floor with water-resistant bonding, non-slip					

DIMENSIONS (MM)		2500	2800	3400	2500	2800	3400
Wheelbase		2500	2800	3400	2500	2800	3400
Body	Length	3300	3780	4300	3300	3780	4300
	Width	2100	2100	2100	2100	2100	2100
	Floor thickness	15	15	15	15	15	15
Overall height incl. subframe		610	610	610	610	610	610
Dropside height		400	400	400	400	400	400
Loading height of platform floor (theoretical figure) ³⁾		965	960	960	965	960	960
Height of front wall guard incl. subframe			1535			1535	

DIMENSIONS CHASSIS (MM)		1425	1605	1525	1425	1605	1525
Vehicle overhang, rear		1425	1605	1525	1425	1605	1525
Vehicle overhang, front		1145	1145	1145	1145	1145	1145

WEIGHTS (KG)		2355*	2393	2458	2363	2413	2483
Kerb weight incl. body	Total	2355*	2393	2458	2363	2413	2483
	Front	1488	1544	1594	1520	1574	1818
	Rear	867	849	864	843	839	865
Body weight		315*	343	388	303	343	388
Gross vehicle weight / gross combination weight			3500 / 7000			3500 / 7000	
Towed weight	Braked / unbraked		3500 / 750			3500 / 750	
Axle loads, chassis	Front		1950			1950	
	Rear		2500			2500	
Payload	Total	1145	1107	1042	1137	1087	1017
	Axle load reserves, chassis	Total		950			950

- available
- not available

- 1) Corresponds to MB model code
- 2) Information for left-hand-drive version only

- 3) Theoretical figure

* including auxiliary weight up to 2355 kg (Reference Mass Regulation)

Subject to change without notice. All data is approximate. The illustrations may contain accessories and items of optional equipment which are not part of the standard specification or are not available for all of the models listed. The data sheet may contain product types and support services not available in certain countries.



PLATFORM **SCATTOLINI**

CANTER 3C13

CANTER 3C13 DUONIC® 2.0

VEHICLE TYPE WITH WORKS BODY	3C13			3C13 DUONIC® 2.0		
Cab type / crew	Comfort, single cab / 3					
Left-hand/right-hand drive	● / ●	● / ●	● / ●	● / ●	● / ●	● / ●
Model variant ^{1) 2)}	46904211	46904311	46904511	46905211	46905311	46905511
FUSO model code ²⁾	FEB01BL4SEUW	FEB01CL4SEUW	FEB01EL4SEUW	FEB01BL3SEUW	FEB01CL3SEUW	FEB01EL3SEUW
Platform, aluminium	MB Code / MTFE Code			OS1 / 1F		
	SCATTOLINI platform with aluminium side walls, sandwich floor with water-resistant bonding, non-slip					
OPTIONS						
Material carrier at rear	PZ9 / 1R					
	Additional material carrier at rear of the platform body for transporting long building materials and ladders. Weight 21 kg					
Side underride guard	WY3 / 1S					
	Additional underride guard fitted to the frame at the sides between the axles; aluminium section with plastic end caps. Weight 11-16 kg					
Toolbox	WP5 / 1L					
	Toolbox fitted to the frame at the side. Plastic box that is protected from spray water measuring 440 x 330 x 280 mm (B x H x D). Weight 6 kg					

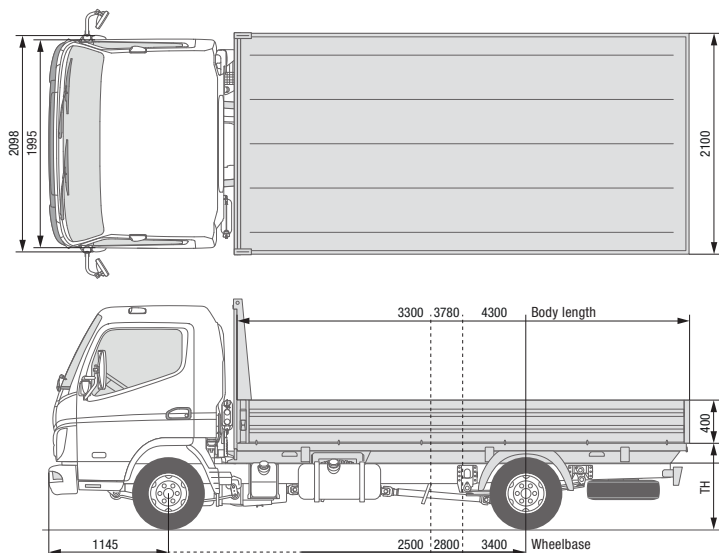
OPTIONS (COMPULSORY)

Body support brackets	CR8 / FK
	Support brackets on frame to make it easier to mount bodies. The shackles are attached to the chassis frame by means of rivets. Weight approx. 6-12 kg (depending on model)

- available
- not available

- 1) Corresponds to MB model code
2) Information for left-hand-drive version only

Subject to change without notice. All data is approximate. The illustrations may contain accessories and items of optional equipment which are not part of the standard specification or are not available for all of the models listed. The data sheet may contain product types and support services not available in certain countries.



PLATFORM **SCATTOLINI**

CANTER 3C15

CANTER 3C15 DUONIC® 2.0

VEHICLE TYPE WITH WORKS BODY	3C15			3C15 DUONIC® 2.0		
Cab type / crew	Comfort, single cab / 3					
Left-hand/right-hand drive	● / –	● / –	● / –	● / ●	● / ●	● / ●
Model variant ^{1) 2)}	46906211	46906311	46906511	46907211	46907311	46907511
FUSO model code ²⁾	FEB01BL4SEUX	FEB01CL4SEUX	FEB01EL4SEUX	FEB01BL3SEUX	FEB01CL3SEUX	FEB01EL3SEUX
Platform, aluminium	OS1 / 1F					
MB Code / MTFE Code	SCATTOLINI platform with aluminium side walls, sandwich floor with water-resistant bonding, non-slip					

DIMENSIONS (MM)		2500	2800	3400	2500	2800	3400
Wheelbase		2500	2800	3400	2500	2800	3400
Body	Length	3300	3780	4300	3300	3780	4300
	Width	2100	2100	2100	2100	2100	2100
	Floor thickness	15	15	15	15	15	15
Overall height incl. subframe		610	610	610	610	610	610
Dropside height		400	400	400	400	400	400
Loading height of platform floor (theoretical figure) ³⁾		965	960	980	965	960	960
Height of front wall guard incl. subframe			1535			1535	

DIMENSIONS CHASSIS (MM)		1425	1605	1525	1425	1605	1525
Vehicle overhang, rear		1425	1605	1525	1425	1605	1525
Vehicle overhang, front		1145	1145	1145	1145	1145	1145

WEIGHTS (KG)		2355*	2393	2458	2363	2413	2483
Kerb weight incl. body	Total	2355*	2393	2458	2363	2413	2483
	Front	1496	1582	1599	1514	1572	1618
	Rear	859	811	859	849	841	865
Body weight		315*	343	388	303	343	388
Gross vehicle weight / gross combination weight		3500 / 7000			3500 / 7000		
Towed weight	Braked / unbraked	3500 / 750			3500 / 750		
Axle loads, chassis	Front	1950			1950		
	Rear	2500			2500		
Payload	Total	1145	1107	1042	1137	1087	1017
	Axle load reserves, chassis	Total	950			950	

- available
- not available

- 1) Corresponds to MB model code
- 2) Information for left-hand-drive version only

- 3) Theoretical figure

* including auxiliary weight up to 2355 kg (Reference Mass Regulation)

Subject to change without notice. All data is approximate. The illustrations may contain accessories and items of optional equipment which are not part of the standard specification or are not available for all of the models listed. The data sheet may contain product types and support services not available in certain countries.



PLATFORM **SCATTOLINI**

CANTER 3C15

CANTER 3C15 DUONIC® 2.0

VEHICLE TYPE WITH WORKS BODY	3C15			3C15 DUONIC® 2.0		
Cab type / crew	Comfort, single cab / 3					
Left-hand/right-hand drive	● / –	● / –	● / –	● / ●	● / ●	● / ●
Model variant ^{1) 2)}	46906211	46906311	46906511	46907211	46907311	46907511
FUSO model code ²⁾	FEB01BL4SEUX	FEB01CL4SEUX	FEB01EL4SEUX	FEB01BL3SEUX	FEB01CL3SEUX	FEB01EL3SEUX
Platform, aluminium	MB Code / MTFE Code			OS1 / 1F		
	SCATTOLINI platform with aluminium side walls, sandwich floor with water-resistant bonding, non-slip					

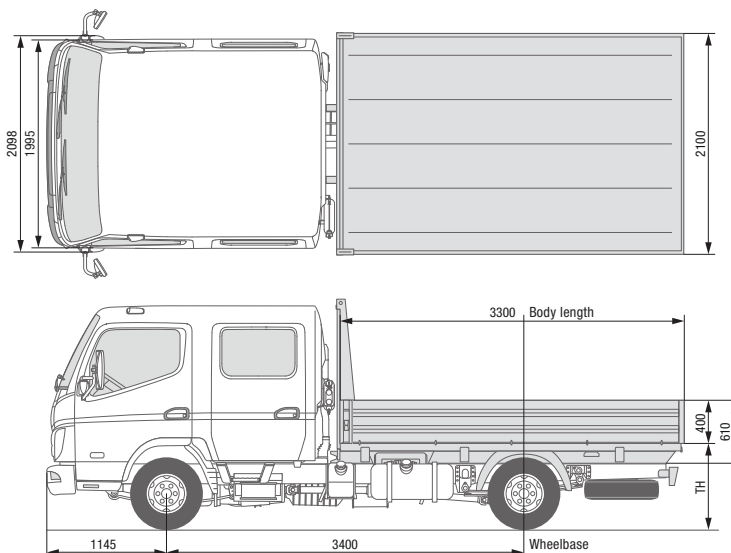
OPTIONS	
Material carrier at rear	PZ9 / 1R Additional material carrier at rear of the platform body for transporting long building materials and ladders. Weight 21 kg
Side underride guard	WY3 / 1S Additional underride guard fitted to the frame at the sides between the axles; aluminium section with plastic end caps. Weight 11-16 kg
Toolbox	WP5 / 1L Toolbox fitted to the frame at the side. Plastic box that is protected from spray water measuring 440 x 330 x 280 mm (B x H x D). Weight 6 kg

OPTIONS (COMPULSORY)	
Body support brackets	CR8 / FK Support brackets on frame to make it easier to mount bodies. The shackles are attached to the chassis frame by means of rivets. Weight approx. 6-12 kg (depending on model)

- available
- not available

- 1) Corresponds to MB model code
- 2) Information for left-hand-drive version only

Subject to change without notice. All data is approximate. The illustrations may contain accessories and items of optional equipment which are not part of the standard specification or are not available for all of the models listed. The data sheet may contain product types and support services not available in certain countries.



PLATFORM **SCATTOLINI**

CANTER 3C15D

CANTER 3C15D DUONIC® 2.0

VEHICLE TYPE WITH WORKS BODY	3C15D	3C15D DUONIC® 2.0
Cab type / crew	Comfort, crew cab / 6	
Left-hand/right-hand drive	● / ●	● / ●
Model variant ^{1) 2)}	46906513	46907513
FUSO model code ²⁾	FEB01EL4WEUX	FEB01EL3WEUX
Platform, aluminium	OS1 / 1F SCATTOLINI platform with aluminium side walls, sandwich floor with water-resistant bonding, non-slip	

DIMENSIONS (MM)			
Wheelbase		3400	3400
Body	Length	3300	3300
	Width	2100	2100
	Floor thickness	15	15
Overall height incl. subframe		610	610
Dropside height		400	400
Loading height of platform floor (theoretical figure) ³⁾		975	960
Height of front wall guard incl. subframe		1535	1535

DIMENSIONS CHASSIS (MM)			
Vehicle overhang, rear		1525	1525
Vehicle overhang, front		1145	1145

WEIGHTS (KG)			
Kerb weight incl. body	Total	2598	2618
	Front	1679	1701
	Rear	919	917
Body weight		303	303
Gross vehicle weight / gross combination weight		3500 / 7000	3500 / 7000
Towed weight	Braked / unbraked	3500 / 750	3500 / 750
Axle loads, chassis	Front	1950	1950
	Rear	2500	2500
Payload	Total	902	882
Axle load reserves, chassis	Total	950	950

● available
– not available

1) Corresponds to MB model code
2) Information for left-hand-drive version only

3) Theoretical figure

Subject to change without notice. All data is approximate. The illustrations may contain accessories and items of optional equipment which are not part of the standard specification or are not available for all of the models listed. The data sheet may contain product types and support services not available in certain countries.



PLATFORM **SCATTOLINI**

CANTER 3C15D

CANTER 3C15D DUONIC® 2.0

VEHICLE TYPE WITH WORKS BODY		3C15D	3C15D DUONIC® 2.0
Cab type / crew		Comfort, crew cab / 6	
Left-hand/right-hand drive		● / ●	● / ●
Model variant ^{1) 2)}		46906513	46907513
FUSO model code ²⁾		FEB01EL4WEUX	FEB01EL3WEUX
Platform, aluminium	MB Code / MTFE Code	OS1 / 1F SCATTOLINI platform with aluminium side walls, sandwich floor with water-resistant bonding, non-slip	
OPTIONS			
Material carrier at rear		PZ9 / 1R Additional material carrier at rear of the platform body for transporting long building materials and ladders. Weight 21 kg	
Side underride guard		WY3 / 1S Additional underride guard fitted to the frame at the sides between the axles; aluminium section with plastic end caps. Weight 16 kg	
Toolbox		WP5 / 1L Toolbox fitted to the frame at the side. Plastic box that is protected from spray water measuring 440 x 330 x 280 mm (B x H x D). Weight 6 kg	

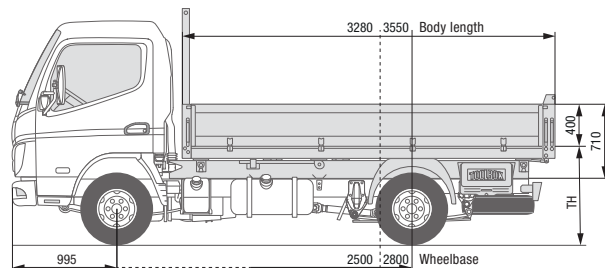
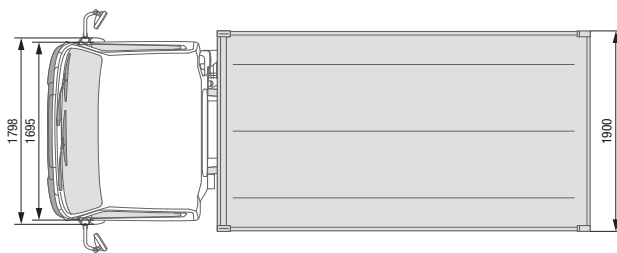
OPTIONS (COMPULSORY)

Body support brackets	CR8 / FK Support brackets on frame to make it easier to mount bodies. The shackles are attached to the chassis frame by means of rivets. Weight approx. 6-12 kg (depending on model)
-----------------------	---

- available
- not available

- 1) Corresponds to MB model code
2) Information for left-hand-drive version only

Subject to change without notice. All data is approximate. The illustrations may contain accessories and items of optional equipment which are not part of the standard specification or are not available for all of the models listed. The data sheet may contain product types and support services not available in certain countries.



THREE-WAY TIPPER **SCATTOLINI**

CANTER 3S13

CANTER 3S13 DUONIC® 2.0

VEHICLE TYPE WITH WORKS BODY		3S13		3S13 DUONIC® 2.0	
Cab type / crew		Standard, single cab / 3			
Left-hand/right-hand drive		● / –	● / –	● / –	● / –
Model variant ^{1) 2)}		46900211	46900311	46901211	46901311
FUSO model code ²⁾		FEA01BL4SEUW	FEA01CL4SEUW	FEA01BL3SEUW	FEA01CL3SEUW
Three-way tipper, aluminium	MB Code / MTFE Code	OS2 / 1G			
SCATTOLINI three-way tipper with aluminium side walls, robust, puncture-proof steel floor, tipping angle 45°					
Three-way tipper, steel	MB Code / MTFE Code	OS3 / 1H			
SCATTOLINI three-way tipper with steel side walls, robust, puncture-proof steel floor, tipping angle 45°					

DIMENSIONS (MM)					
Wheelbase		2500	2800	2500	2800
Body	Length	3280	3550	3280	3550
	Width	1900	1900	1900	1900
	Floor thickness	2.5	2.5	2.5	2.5
Overall height incl. subframe		710	710	710	710
Dropside height		400	400	400	400
Loading height of tipper floor (theoretical figure) ³⁾		1045	1040	1045	1040
Height of front wall guard incl. subframe		1535		1535	

DIMENSIONS CHASSIS (MM)					
Vehicle overhang, rear		1405	1375	1405	1375
Vehicle overhang, front		995	995	995	995

WEIGHTS (KG)					
Kerb weight incl. body ⁴⁾	Total	2573 (2613)	2608	2593 (2633)	2628
	Front	1473 (1477)	1526	1495 (1498)	1549
	Rear	1100 (1136)	1082	1093 (1130)	1079
Body weight ⁴⁾		633 (673)	658	633 (673)	658
Gross vehicle weight / gross combination weight		3500 / 7000		3500 / 7000	
Towed weight	Braked / unbraked	3500 / 750		3500 / 750	
Axle loads, chassis	Front	1950		1950	
	Rear	2500		2500	
Payload ⁴⁾	Total	927 (887)	892	907 (867)	872
	Axle load reserves, chassis	Total	950	950	

- available
- not available

- 1) Corresponds to MB model code
- 2) Information for left-hand-drive version only

- 3) Theoretical figure
- 4) Side walls in aluminium (steel)

Subject to change without notice. All data is approximate. The illustrations may contain accessories and items of optional equipment which are not part of the standard specification or are not available for all of the models listed. The data sheet may contain product types and support services not available in certain countries.



THREE-WAY TIPPER **SCATTOLINI**

CANTER 3S13

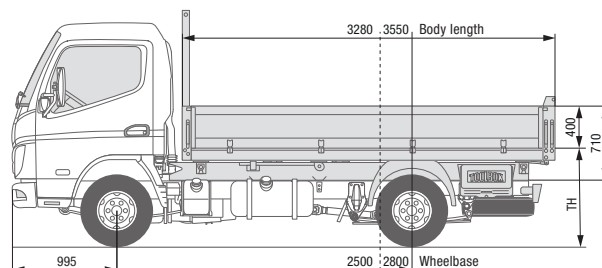
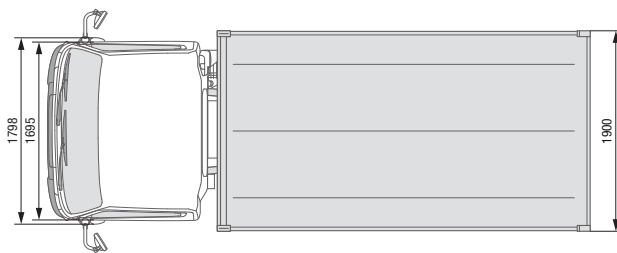
CANTER 3S13 DUONIC® 2.0

VEHICLE TYPE WITH WORKS BODY		3S13		3S13 DUONIC® 2.0	
Cab type / crew		Standard, single cab / 3			
Left-hand/right-hand drive		● / –	● / –	● / –	● / –
Model variant ^{1) 2)}		46900211	46900311	46901211	46901311
FUSO model code ²⁾		FEA01BL4SEUW	FEA01CL4SEUW	FEA01BL3SEUW	FEA01CL3SEUW
Three-way tipper, aluminium	MB Code / MTFE Code	OS2 / 1G SCATTOLINI three-way tipper with aluminium side walls, robust, puncture-proof steel floor, tipping angle 45°			
Three-way tipper, steel	MB Code / MTFE Code	OS3 / 1H SCATTOLINI three-way tipper with steel side walls, robust, puncture-proof steel floor, tipping angle 45°			
OPTIONS					
Material carrier at rear		PZ9 / 1R Material carrier at rear of the platform body for transporting long building materials and ladders. Weight 17 kg			
Side underride guard		WY3 / 1S Additional underride guard fitted to the frame at the sides between the axles; aluminium section with plastic end caps. Weight 18-20 kg			
Toolbox		WP5 / 1L Plastic box (toolbox) that is protected from spray water, measuring 440 x 330 x 280 mm (B x H x D). Weight 7 kg			
Scattolini deflector tailgate		OU2 / 1V Deflector mounted on rear dropside Protects against jamming with trailer coupling. Weight 1 kg			
Edge protection for works bodies (aluminium)		OU4 / 1U PVC protection for aluminium dropsides. Weight 3 kg			
Edge protection for works bodies (steel)		OU5 / 1Z PVC protection for steel dropsides. Weight 3 kg			
Automatic unlocking of the tailgate		OU6 / 1Y The rear dropside opens automatically during the tipping procedure. Weight 6 kg			
OPTIONS (COMPULSORY)					
Body support brackets		CR8 / FK Support brackets on frame to make it easier to mount bodies. Weight approx. 6-12 kg (depending on model)			
Batteries, 2 x 12 V / 100 AH, maintenance-free		EE9 / EL Second battery for higher availability of the electro hydraulic tipper. Weight 30 kg			

- available
- not available

- 1) Corresponds to MB model code
2) Information for left-hand-drive version only

Subject to change without notice. All data is approximate. The illustrations may contain accessories and items of optional equipment which are not part of the standard specification or are not available for all of the models listed. The data sheet may contain product types and support services not available in certain countries.



THREE-WAY TIPPER **SCATTOLINI**

CANTER 3S15

CANTER 3S15 DUONIC® 2.0

VEHICLE TYPE WITH WORKS BODY		3S15		3S15 DUONIC® 2.0	
Cab type / crew		Standard, single cab / 3			
Left-hand/right-hand drive		● / –	● / –	● / –	● / –
Model variant ^{1) 2)}		46902211	46902311	46903211	46903311
FUSO model code ²⁾		FEA01BL4SEUX	FEA01CL4SEUX	FEA01BL3SEUX	FEA01CL3SEUX
Three-way tipper, aluminium		MB Code / MTFE Code			
		OS2 / 1G			
SCATTOLINI three-way tipper with aluminium side walls, robust, puncture-proof steel floor, tipping angle 45°					
Three-way tipper, steel		MB Code / MTFE Code			
		OS3 / 1H			
SCATTOLINI three-way tipper with steel side walls, robust, puncture-proof steel floor, tipping angle 45°					

DIMENSIONS (MM)					
Wheelbase		2500	2800	2500	2800
Body	Length	3280	3550	3280	3550
	Width	1900	1900	1900	1900
	Floor thickness	2.5	2.5	2.5	2.5
Overall height incl. subframe		710	710	710	710
Dropside height		400	400	400	400
Loading height of tipper floor (theoretical figure) ³⁾		1045	1040	1045	1040
Height of front wall guard incl. subframe		1535		1535	

DIMENSIONS CHASSIS (MM)					
Vehicle overhang, rear		1405	1375	1405	1375
Vehicle overhang, front		995	995	995	995

WEIGHTS (KG)					
Kerb weight incl. body ⁴⁾	Total	2573 (2613)	2608	2593 (2633)	2628
	Front	1476 (1479)	1526	1500 (1503)	1549
	Rear	1100 (1136)	1082	1093 (1130)	1079
Body weight ⁴⁾		633 (673)	658	633 (673)	658
Gross vehicle weight / gross combination weight		3500 / 7000		3500 / 7000	
Towed weight		Braked / unbraked		3500 / 750	
Axle loads, chassis	Front	1950		1950	
	Rear	2500		2500	
Payload ⁴⁾	Total	927 (877)	892	907 (867)	872
	Axle load reserves, chassis	Total		950	

- available
- not available

- 1) Corresponds to MB model code
- 2) Information for left-hand-drive version only

- 3) Theoretical figure
- 4) Side walls in aluminium (steel)

Subject to change without notice. All data is approximate. The illustrations may contain accessories and items of optional equipment which are not part of the standard specification or are not available for all of the models listed. The data sheet may contain product types and support services not available in certain countries.



THREE-WAY TIPPER **SCATTOLINI**

CANTER 3S15

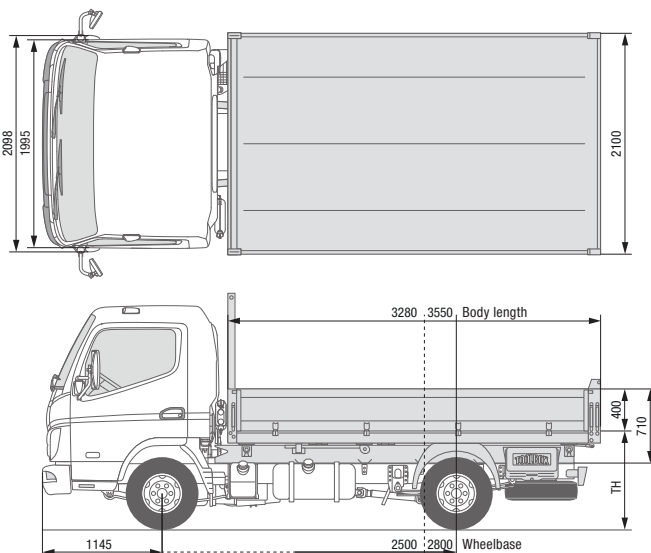
CANTER 3S15 DUONIC® 2.0

VEHICLE TYPE WITH WORKS BODY		3S15		3S15 DUONIC® 2.0	
Cab type / crew		Standard, single cab / 3			
Left-hand/right-hand drive		● / –	● / –	● / –	● / –
Model variant ^{1) 2)}		46902211	46902311	46903211	46903311
FUSO model code ²⁾		FEA01BL4SEUX	FEA01CL4SEUX	FEA01BL3SEUX	FEA01CL3SEUX
Three-way tipper, aluminium	MB Code / MTFE Code	OS2 / 1G SCATTOLINI three-way tipper with aluminium side walls, robust, puncture-proof steel floor, tipping angle 45°			
Three-way tipper, steel	MB Code / MTFE Code	OS3 / 1H SCATTOLINI three-way tipper with steel side walls, robust, puncture-proof steel floor, tipping angle 45°			
OPTIONS					
Material carrier at rear		PZ9 / 1R Material carrier at rear of the platform body for transporting long building materials and ladders. Weight 17 kg			
Side underride guard		WY3 / 1S Additional underride guard fitted to the frame at the sides between the axles; aluminium section with plastic end caps. Weight 18-20 kg			
Toolbox		WP5 / 1L Plastic box (toolbox) that is protected from spray water, measuring 440 x 330 x 280 mm (B x H x D). Weight 7 kg			
Scattolini deflector tailgate		OU2 / 1V Deflector mounted on rear dropside Protects against jamming with trailer coupling. Weight 1 kg			
Edge protection for works bodies (aluminium)		OU4 / 1U PVC protection for aluminium dropsides. Weight 3 kg			
Edge protection for works bodies (steel)		OU5 / 1Z PVC protection for steel dropsides. Weight 3 kg			
Automatic unlocking of the tailgate		OU6 / 1Y The rear dropside opens automatically during the tipping procedure. Weight 6 kg			
OPTIONS (COMPULSORY)					
Body support brackets		CR8 / FK Support brackets on frame to make it easier to mount bodies. Weight approx. 6-12 kg (depending on model)			
Batteries, 2 x 12 V / 100 AH, maintenance-free		EE9 / EL Second battery for higher availability of the electro hydraulic tipper. Weight 30 kg			

- available
- not available

- 1) Corresponds to MB model code
- 2) Information for left-hand-drive version only

Subject to change without notice. All data is approximate. The illustrations may contain accessories and items of optional equipment which are not part of the standard specification or are not available for all of the models listed. The data sheet may contain product types and support services not available in certain countries.



THREE-WAY TIPPER **SCATTOLINI**

CANTER 3C13

CANTER 3C13 DUONIC® 2.0

VEHICLE TYPE WITH WORKS BODY		3C13		3C13 DUONIC® 2.0	
Cab type / crew		Comfort, single cab / 3			
Left-hand/right-hand drive		● / ●	● / ●	● / ●	● / ●
Model variant ^{1) 2)}		46904211	46904311	46905211	46905311
FUSO model code ²⁾		FEB01BL4SEUW	FEB01CL4SEUW	FEB01BL3SEUW	FEB01CL3SEUW
Three-way tipper, aluminium	MB Code / MTFE Code	OS2 / 1G			
SCATTOLINI three-way tipper with aluminium side walls, robust, puncture-proof steel floor, tipping angle 45°					
Three-way tipper, steel	MB Code / MTFE Code	OS3 / 1H			
SCATTOLINI three-way tipper with steel side walls, robust, puncture-proof steel floor, tipping angle 45°					

DIMENSIONS (MM)					
Wheelbase		2500	2800	2500	2800
Body	Length	3280	3550	3280	3550
	Width	2100	2100	2100	2100
	Floor thickness	2.5	2.5	2.5	2.5
Overall height incl. subframe		710	710	710	710
Dropside height		400	400	400	400
Loading height of tipper floor (theoretical figure) ³⁾		1065	1060	1065	1060
Height of front wall guard incl. subframe		1535		1535	

DIMENSIONS CHASSIS (MM)					
Vehicle overhang, rear		1365	1335	1365	1335
Vehicle overhang, front		1145	1145	1145	1145

WEIGHTS (KG)					
Kerb weight incl. body ⁴⁾	Total	2698 (2738)	2733	2718 (2758)	2753
	Front	1568 (1573)	1629	1610 (1602)	1658
	Rear	1130 (1165)	1104	1108 (1156)	1095
Body weight ⁴⁾		658 (698)	683	658 (698)	683
Gross vehicle weight / gross combination weight		3500 / 7000		3500 / 7000	
Towed weight	Braked / unbraked	3500 / 750		3500 / 750	
Axle loads, chassis	Front	1950		1950	
	Rear	2500		2500	
Payload ⁴⁾	Total	802 (762)	767	782 (742)	747
	Axle load reserves, chassis	950		950	

- available
- not available

1) Corresponds to MB model code
2) Information for left-hand-drive version only

3) Theoretical figure
4) Side walls in aluminium (steel)

Subject to change without notice. All data is approximate. The illustrations may contain accessories and items of optional equipment which are not part of the standard specification or are not available for all of the models listed. The data sheet may contain product types and support services not available in certain countries.



THREE-WAY TIPPER **SCATTOLINI**

CANTER 3C13

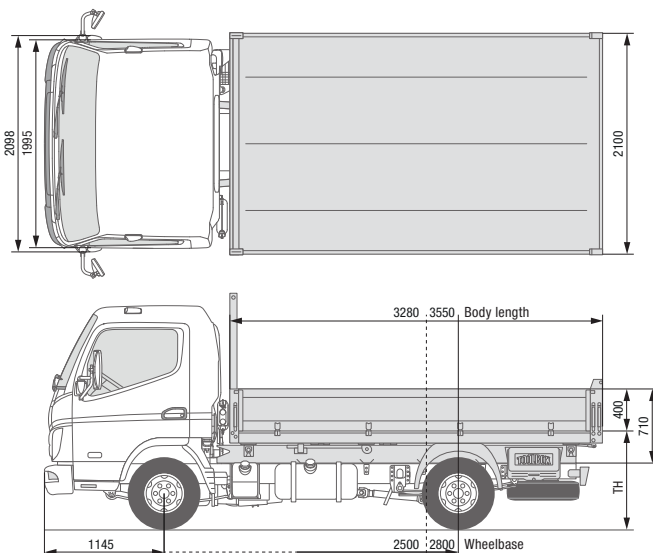
CANTER 3C13 DUONIC® 2.0

VEHICLE TYPE WITH WORKS BODY		3C13		3C13 DUONIC® 2.0	
Cab type / crew		Comfort, single cab / 3			
Left-hand/right-hand drive		● / ●	● / ●	● / ●	● / ●
Model variant ^{1) 2)}		46904211	46904311	46905211	46905311
FUSO model code ²⁾		FEB01BL4SEUW	FEB01CL4SEUW	FEB01BL3SEUW	FEB01CL3SEUW
Three-way tipper, aluminium	MB Code / MTFE Code	OS2 / 1G			
SCATTOLINI three-way tipper with aluminium side walls, robust, puncture-proof steel floor, tipping angle 45°					
Three-way tipper, steel	MB Code / MTFE Code	OS3 / 1H			
SCATTOLINI three-way tipper with steel side walls, robust, puncture-proof steel floor, tipping angle 45°					
OPTIONS					
Material carrier at rear		PZ9 / 1R			
Material carrier at rear of the platform body for transporting long building materials and ladders. Weight 17 kg					
Side underride guard		WY3 / 1S			
Additional underride guard fitted to the frame at the sides between the axles; aluminium section with plastic end caps. Weight 18-20 kg					
Toolbox		WP5 / 1L			
Plastic box (toolbox) that is protected from spray water, measuring 440 x 330 x 280 mm (B x H x D). Weight 7 kg					
Scattolini deflector tailgate		OU2 / 1V			
Deflector mounted on rear dropside Protects against jamming with trailer coupling. Weight 1 kg					
Edge protection for works bodies (aluminium)		OU4 / 1U			
PVC protection for aluminium dropsides. Weight 3 kg					
Edge protection for works bodies (steel)		OU5 / 1Z			
PVC protection for steel dropsides. Weight 3 kg					
Automatic unlocking of the tailgate		OU6 / 1Y			
The rear dropside opens automatically during the tipping procedure. Weight 6 kg					
OPTIONS (COMPULSORY)					
Body support brackets		CR8 / FK			
Support brackets on frame to make it easier to mount bodies. Weight approx. 6-12 kg (depending on model)					
Batteries, 2 x 12 V / 100 AH, maintenance-free		EE9 / EL			
Second battery for higher availability of the electro hydraulic tipper. Weight 30 kg					

- available
- not available

- 1) Corresponds to MB model code
2) Information for left-hand-drive version only

Subject to change without notice. All data is approximate. The illustrations may contain accessories and items of optional equipment which are not part of the standard specification or are not available for all of the models listed. The data sheet may contain product types and support services not available in certain countries.



THREE-WAY TIPPER **SCATTOLINI**

CANTER 3C15

CANTER 3C15 DUONIC® 2.0

VEHICLE TYPE WITH WORKS BODY		3C15		3C15 DUONIC® 2.0	
Cab type / crew		Comfort, single cab / 3			
Left-hand/right-hand drive		● / –	● / –	● / ●	● / ●
Model variant ^{1) 2)}		46906211	46906311	46907211	46907311
FUSO model code ²⁾		FEB01BL4SEUX	FEB01CL4SEUX	FEB01BL3SEUX	FEB01CL3SEUX
Three-way tipper, aluminium	MB Code / MTFE Code	OS2 / 1G			
SCATTOLINI three-way tipper with aluminium side walls, robust, puncture-proof steel floor, tipping angle 45°					
Three-way tipper, steel	MB Code / MTFE Code	OS3 / 1H			
SCATTOLINI three-way tipper with steel side walls, robust, puncture-proof steel floor, tipping angle 45°					

DIMENSIONS (MM)					
Wheelbase		2500	2800	2500	2800
Body	Length	3280	3550	3280	3550
	Width	2100	2100	2100	2100
	Floor thickness	2.5	2.5	2.5	2.5
Overall height incl. subframe		710	710	710	710
Dropside height		400	400	400	400
Loading height of tipper floor (theoretical figure) ³⁾		1065	1060	1065	1060
Height of front wall guard incl. subframe		1535		1535	

DIMENSIONS CHASSIS (MM)					
Vehicle overhang, rear		1365	1335	1365	1335
Vehicle overhang, front		1145	1145	1145	1145

WEIGHTS (KG)					
Kerb weight incl. body ⁴⁾	Total	2698 (2738)	2733	2718 (2758)	2753
	Front	1568 (1573)	1629	1610 (1602)	1658
	Rear	1130 (1165)	1104	1138 (1186)	1095
Body weight ⁴⁾		658 (698)	683	658 (698)	683
Gross vehicle weight / gross combination weight		3500 / 7000		3500 / 7000	
Towed weight	Braked / unbraked	3500 / 750		3500 / 750	
Axle loads, chassis	Front	1950		1950	
	Rear	2500		2500	
Payload ⁴⁾	Total	802 (762)	767	782 (742)	747
	Axle load reserves, chassis	Total	950	950	

- available
- not available

- 1) Corresponds to MB model code
- 2) Information for left-hand-drive version only

- 3) Theoretical figure
- 4) Side walls in aluminium (steel)

Subject to change without notice. All data is approximate. The illustrations may contain accessories and items of optional equipment which are not part of the standard specification or are not available for all of the models listed. The data sheet may contain product types and support services not available in certain countries.



THREE-WAY TIPPER **SCATTOLINI**

CANTER 3C15

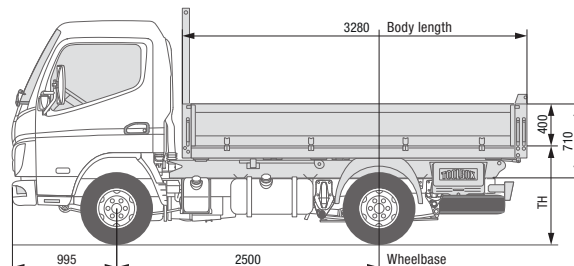
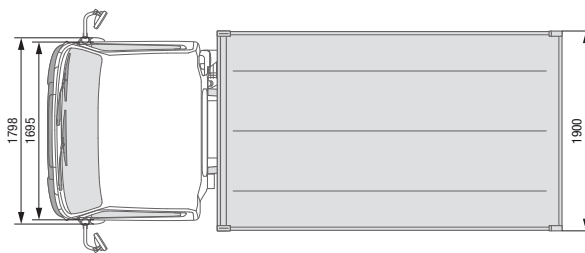
CANTER 3C15 DUONIC® 2.0

VEHICLE TYPE WITH WORKS BODY		3C15		3C15 DUONIC® 2.0	
Cab type / crew		Comfort, single cab / 3			
Left-hand/right-hand drive		● / –	● / –	● / ●	● / ●
Model variant ^{1) 2)}		46906211	46906311	46907211	46907311
FUSO model code ²⁾		FEB01BL4SEUX	FEB01CL4SEUX	FEB01BL3SEUX	FEB01CL3SEUX
Three-way tipper, aluminium	MB Code / MTFE Code	OS2 / 1G SCATTOLINI three-way tipper with aluminium side walls, robust, puncture-proof steel floor, tipping angle 45°			
Three-way tipper, steel	MB Code / MTFE Code	OS3 / 1H SCATTOLINI three-way tipper with steel side walls, robust, puncture-proof steel floor, tipping angle 45°			
OPTIONS					
Material carrier at rear		PZ9 / 1R Material carrier at rear of the platform body for transporting long building materials and ladders. Weight 17 kg			
Side underride guard		WY3 / 1S Additional underride guard fitted to the frame at the sides between the axles; aluminium section with plastic end caps. Weight 18-20 kg			
Toolbox		WP5 / 1L Plastic box (toolbox) that is protected from spray water, measuring 440 x 330 x 280 mm (B x H x D). Weight 7 kg			
Scattolini deflector tailgate		OU2 / 1V Deflector mounted on rear dropside Protects against jamming with trailer coupling. Weight 1 kg			
Edge protection for works bodies (aluminium)		OU4 / 1U PVC protection for aluminium dropsides. Weight 3 kg			
Edge protection for works bodies (steel)		OU5 / 1Z PVC protection for steel dropsides. Weight 3 kg			
Automatic unlocking of the tailgate		OU6 / 1Y The rear dropside opens automatically during the tipping procedure. Weight 6 kg			
OPTIONS (COMPULSORY)					
Body support brackets		CR8 / FK Support brackets on frame to make it easier to mount bodies. Weight approx. 6-12 kg (depending on model)			
Batteries, 2 x 12 V / 100 AH, maintenance-free		EE9 / EL Second battery for higher availability of the electro hydraulic tipper. Weight 30 kg			

- available
- not available

- 1) Corresponds to MB model code
- 2) Information for left-hand-drive version only

Subject to change without notice. All data is approximate. The illustrations may contain accessories and items of optional equipment which are not part of the standard specification or are not available for all of the models listed. The data sheet may contain product types and support services not available in certain countries.



REAR TIPPER **SCATTOLINI**

CANTER 3S13

CANTER 3S13 DUONIC® 2.0

VEHICLE TYPE WITH WORKS BODY	3S13	3S13 DUONIC® 2.0
Cab type / crew	Standard, single cab / 3	
Left-hand/right-hand drive	● / –	● / –
Model variant ^{1) 2)}	46900211	46901211
FUSO model code ²⁾	FEA01BL4SEUW	FEA01BL3SEUW
Rear tipper, steel	OS5 / 1K	
MB Code / MTFE Code	SCATTOLINI rear tipper with steel side walls, robust, puncture-proof steel floor, tipping angle 45°	

DIMENSIONS (MM)		
Wheelbase		2500
Body	Length	3280
	Width	1900
	Floor thickness	2.5
Overall height incl. subframe		710
Dropside height		400
Loading height of tipper floor (theoretical figure) ³⁾		1045
Height of front wall guard incl. subframe		1535

DIMENSIONS CHASSIS (MM)		
Vehicle overhang, rear		1405
Vehicle overhang, front		995

WEIGHTS (KG)		
Kerb weight incl. body ⁴⁾	Total	2563
	Front	1467
	Rear	1186
Body weight ⁴⁾		623
Gross vehicle weight / gross combination weight		3500 / 7000
Towed weight	Braked / unbraked	3500 / 750
		3500 / 750
Axle loads, chassis	Front	1950
	Rear	2500
Payload ⁴⁾	Total	937
		917
Axle load reserves, chassis	Total	950

- available
- not available

- 1) Corresponds to MB model code
- 2) Information for left-hand-drive version only

- 3) Theoretical figure
- 4) Side walls in steel

Subject to change without notice. All data is approximate. The illustrations may contain accessories and items of optional equipment which are not part of the standard specification or are not available for all of the models listed. The data sheet may contain product types and support services not available in certain countries.



REAR TIPPER **SCATTOLINI**

CANTER 3S13

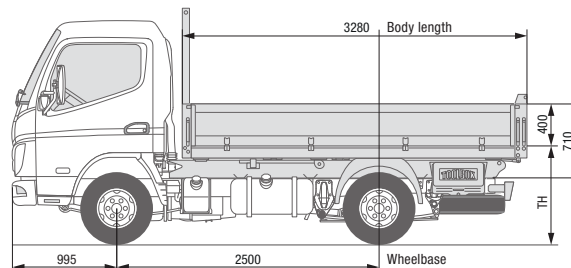
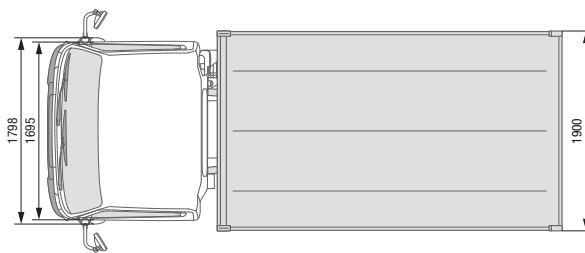
CANTER 3S13 DUONIC® 2.0

VEHICLE TYPE WITH WORKS BODY		3S13	3S13 DUONIC® 2.0
Cab type / crew		Standard, single cab / 3	
Left-hand/right-hand drive		● / –	● / –
Model variant ^{1) 2)}		46900211	46901211
FUSO model code ²⁾		FEA01BL4SEUW	FEA01BL3SEUW
Rear tipper, aluminium	MB Code / MTFE Code	OS4 / 1J SCATTOLINI rear tipper with aluminium side walls, robust, puncture-proof steel floor, tipping angle 45°	
Rear tipper, steel	MB Code / MTFE Code	OS5 / 1K SCATTOLINI rear tipper with steel side walls, robust, puncture-proof steel floor, tipping angle 45°	
OPTIONS			
Material carrier at rear		PZ9 / 1R Material carrier at rear of the platform body for transporting long building materials and ladders. Weight 17 kg	
Side underride guard		WY3 / 1S Additional underride guard fitted to the frame at the sides between the axles; aluminium section with plastic end caps. Weight 18-20 kg	
Toolbox		WP5 / 1L Plastic box (toolbox) that is protected from spray water, measuring 440 x 330 x 280 mm (B x H x D). Weight 7 kg	
Scattolini deflector tailgate		OU2 / 1V Deflector mounted on rear dropside Protects against jamming with trailer coupling. Weight 1 kg	
Edge protection for works bodies (steel)		OU5 / 1Z PVC protection for steel dropsides. Weight 3 kg	
Automatic unlocking of the tailgate		OU6 / 1Y The rear dropside opens automatically during the tipping procedure. Weight 6 kg	
OPTIONS (COMPULSORY)			
Body support brackets		CR8 / FK Support brackets on frame to make it easier to mount bodies. Weight approx. 6-12 kg (depending on model)	
Batteries, 2 x 12 V / 100 AH, maintenance-free		EE9 / EL Second battery for higher availability of the electro hydraulic tipper. Weight 30 kg	

- available
- not available

- 1) Corresponds to MB model code
2) Information for left-hand-drive version only

Subject to change without notice. All data is approximate. The illustrations may contain accessories and items of optional equipment which are not part of the standard specification or are not available for all of the models listed. The data sheet may contain product types and support services not available in certain countries.



REAR TIPPER **SCATTOLINI**

CANTER 3S15

CANTER 3S15 DUONIC® 2.0

VEHICLE TYPE WITH WORKS BODY	3S15	3S15 DUONIC® 2.0
Cab type / crew	Standard, single cab / 3	
Left-hand/right-hand drive	● / –	● / –
Model variant ^{1) 2)}	46902211	46903211
FUSO model code ²⁾	FEA01BL4SEUX	FEA01BL3SEUX
Rear tipper, steel	OS5 / 1K	
MB Code / MTFE Code	SCATTOLINI rear tipper with steel side walls, robust, puncture-proof steel floor, tipping angle 45°	

DIMENSIONS (MM)

	3S15	3S15 DUONIC® 2.0
Wheelbase	2500	2500
Body	Length	3280
	Width	1900
	Floor thickness	2.5
Overall height incl. subframe	710	710
Dropside height	400	400
Loading height of tipper floor (theoretical figure) ³⁾	1045	1045
Height of front wall guard incl. subframe	1535	1535

DIMENSIONS CHASSIS (MM)

	3S15	3S15 DUONIC® 2.0
Vehicle overhang, rear	1405	1405
Vehicle overhang, front	995	995

WEIGHTS (KG)

	3S15	3S15 DUONIC® 2.0
Kerb weight incl. body ⁴⁾	Total	2663
	Front	1451
	Rear	1112
Body weight ⁴⁾	623	623
Gross vehicle weight / gross combination weight	3500 / 7000	3500 / 7000
Towed weight	Braked / unbraked	3500 / 750
		3500 / 750
Axle loads, chassis	Front	1950
	Rear	2500
Payload ⁴⁾	Total	937
		917
Axle load reserves, chassis	Total	950

- available
- not available

- 1) Corresponds to MB model code
- 2) Information for left-hand-drive version only

- 3) Theoretical figure
- 4) Side walls in steel

Subject to change without notice. All data is approximate. The illustrations may contain accessories and items of optional equipment which are not part of the standard specification or are not available for all of the models listed. The data sheet may contain product types and support services not available in certain countries.



REAR TIPPER **SCATTOLINI**

CANTER 3S15

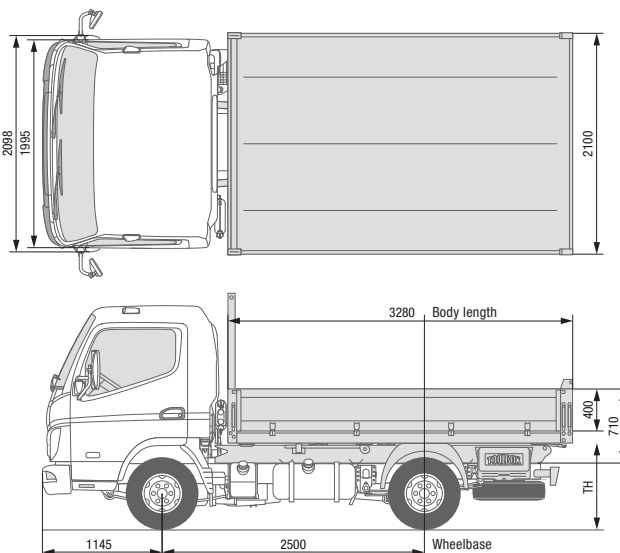
CANTER 3S15 DUONIC® 2.0

VEHICLE TYPE WITH WORKS BODY		3S15	3S15 DUONIC® 2.0
Cab type / crew		Standard, single cab / 3	
Left-hand/right-hand drive		● / –	● / –
Model variant ^{1) 2)}		46902211	46903211
FUSO model code ²⁾		FEA01BL4SEUX	FEA01BL3SEUX
Rear tipper, aluminium	MB Code / MTFE Code	OS4 / 1J SCATTOLINI rear tipper with aluminium side walls, robust, puncture-proof steel floor, tipping angle 45°	
Rear tipper, steel	MB Code / MTFE Code	OS5 / 1K SCATTOLINI rear tipper with steel side walls, robust, puncture-proof steel floor, tipping angle 45°	
OPTIONS			
Material carrier at rear		PZ9 / 1R Material carrier at rear of the platform body for transporting long building materials and ladders. Weight 17 kg	
Side underride guard		WY3 / 1S Additional underride guard fitted to the frame at the sides between the axles; aluminium section with plastic end caps. Weight 18-20 kg	
Toolbox		WP5 / 1L Plastic box (toolbox) that is protected from spray water, measuring 440 x 330 x 280 mm (B x H x D). Weight 7 kg	
Scattolini deflector tailgate		OU2 / 1V Deflector mounted on rear dropside Protects against jamming with trailer coupling. Weight 1 kg	
Edge protection for works bodies (steel)		OU5 / 1Z PVC protection for steel dropsides. Weight 3 kg	
Automatic unlocking of the tailgate		OU6 / 1Y The rear dropside opens automatically during the tipping procedure. Weight 6 kg	
OPTIONS (COMPULSORY)			
Body support brackets		CR8 / FK Support brackets on frame to make it easier to mount bodies. Weight approx. 6-12 kg (depending on model)	
Batteries, 2 x 12 V / 100 AH, maintenance-free		EE9 / EL Second battery for higher availability of the electro hydraulic tipper. Weight 30 kg	

- available
- not available

- 1) Corresponds to MB model code
2) Information for left-hand-drive version only

Subject to change without notice. All data is approximate. The illustrations may contain accessories and items of optional equipment which are not part of the standard specification or are not available for all of the models listed. The data sheet may contain product types and support services not available in certain countries.



REAR TIPPER **SCATTOLINI**

CANTER 3C13

CANTER 3C13 DUONIC® 2.0

VEHICLE TYPE WITH WORKS BODY		3C13	3C13 DUONIC® 2.0
Cab type / crew		Comfort, single cab / 3	
Left-hand/right-hand drive		● / ●	● / ●
Model variant ^{1) 2)}		46904211	46905211
FUSO model code ²⁾		FEB01BL4SEUW	FEB01BL3SEUW
Rear tipper, aluminium	MB Code / MTFE Code	OS4 / 1J	
SCATTOLINI rear tipper with aluminium side walls, robust, puncture-proof steel floor, tipping angle 45°			
Rear tipper, steel	MB Code / MTFE Code	OS5 / 1K	
SCATTOLINI rear tipper with steel side walls, robust, puncture-proof steel floor, tipping angle 45°			

DIMENSIONS (MM)			
Wheelbase		2500	2500
Body	Length	3280	3280
	Width	2100	2100
	Floor thickness	2.5	2.5
Overall height incl. subframe		710	710
Dropside height		400	400
Loading height of tipper floor (theoretical figure) ³⁾		1065	1065
Height of front wall guard incl. subframe		1535	1535

DIMENSIONS CHASSIS (MM)			
Vehicle overhang, rear		1365	1365
Vehicle overhang, front		1145	1145

WEIGHTS (KG)			
Kerb weight incl. body ⁴⁾	Total	2655 (2683)	2675 (2703)
	Front	1543 (1542)	1585 (1571)
	Rear	1112 (1141)	1090 (1132)
Body weight ⁴⁾		615 (643)	615 (643)
Gross vehicle weight / gross combination weight		3500 / 7000	3500 / 7000
Towed weight	Braked / unbraked	3500 / 750	3500 / 750
Axle loads, chassis	Front	1950	1950
	Rear	2500	2500
Payload ⁴⁾	Total	845 (817)	825 (797)
Axle load reserves, chassis	Total	950	950

- available
- not available

- 1) Corresponds to MB model code
- 2) Information for left-hand-drive version only

- 3) Theoretical figure
- 4) Side walls in aluminium (steel)

Subject to change without notice. All data is approximate. The illustrations may contain accessories and items of optional equipment which are not part of the standard specification or are not available for all of the models listed. The data sheet may contain product types and support services not available in certain countries.



REAR TIPPER **SCATTOLINI**

CANTER 3C13

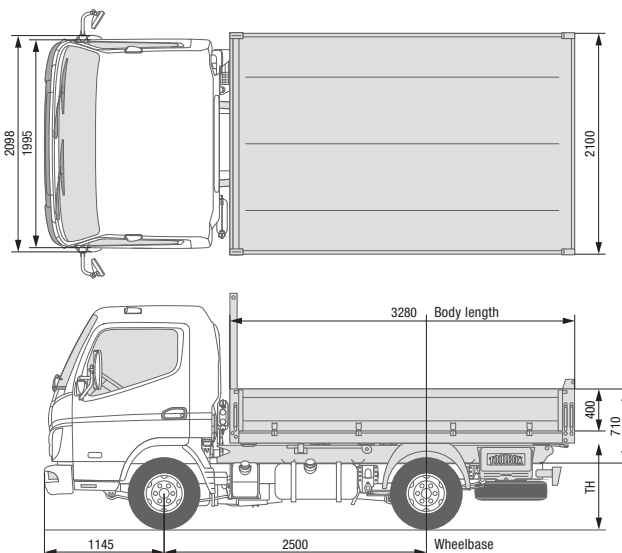
CANTER 3C13 DUONIC® 2.0

VEHICLE TYPE WITH WORKS BODY		3C13	3C13 DUONIC® 2.0
Cab type / crew		Comfort, single cab / 3	
Left-hand/right-hand drive		● / ●	● / ●
Model variant ^{1) 2)}		46904211	46905211
FUSO model code ²⁾		FEB01BL4SEUW	FEB01BL3SEUW
Rear tipper, aluminium	MB Code / MTFE Code	OS4 / 1J SCATTOLINI rear tipper with aluminium side walls, robust, puncture-proof steel floor, tipping angle 45°	
Rear tipper, steel	MB Code / MTFE Code	OS5 / 1K SCATTOLINI rear tipper with steel side walls, robust, puncture-proof steel floor, tipping angle 45°	
OPTIONS			
Material carrier at rear		PZ9 / 1R Material carrier at rear of the platform body for transporting long building materials and ladders. Weight 17 kg	
Side underride guard		WY3 / 1S Additional underride guard fitted to the frame at the sides between the axles; aluminium section with plastic end caps. Weight 18-20 kg	
Toolbox		WP5 / 1L Plastic box (toolbox) that is protected from spray water, measuring 440 x 330 x 280 mm (B x H x D). Weight 7 kg	
Scattolini deflector tailgate		OU2 / 1V Deflector mounted on rear dropside Protects against jamming with trailer coupling. Weight 1 kg	
Edge protection for works bodies (aluminium)		OU4 / 1U PVC protection for aluminium dropsides. Weight 3 kg	
Edge protection for works bodies (steel)		OU5 / 1Z PVC protection for steel dropsides. Weight 3 kg	
Automatic unlocking of the tailgate		OU6 / 1Y The rear dropside opens automatically during the tipping procedure. Weight 6 kg	
OPTIONS (COMPULSORY)			
Body support brackets		CR8 / FK Support brackets on frame to make it easier to mount bodies. Weight approx. 6-12 kg (depending on model)	
Batteries, 2 x 12 V / 100 AH, maintenance-free		EE9 / EL Second battery for higher availability of the electro hydraulic tipper. Weight 30 kg	

- available
- not available

- 1) Corresponds to MB model code
2) Information for left-hand-drive version only

Subject to change without notice. All data is approximate. The illustrations may contain accessories and items of optional equipment which are not part of the standard specification or are not available for all of the models listed. The data sheet may contain product types and support services not available in certain countries.



REAR TIPPER **SCATTOLINI**

CANTER 3C15

CANTER 3C15 DUONIC® 2.0

VEHICLE TYPE WITH WORKS BODY		3C15	3C15 DUONIC® 2.0
Cab type / crew		Comfort, single cab / 3	
Left-hand/right-hand drive		● / –	● / ●
Model variant ^{1) 2)}		46906211	46907211
FUSO model code ²⁾		FEB01BL4SEUX	FEB01BL3SEUX
Rear tipper, aluminium	MB Code / MTFE Code	OS4 / 1J	
SCATTOLINI rear tipper with aluminium side walls, robust, puncture-proof steel floor, tipping angle 45°			
Rear tipper, steel	MB Code / MTFE Code	OS5 / 1K	
SCATTOLINI rear tipper with steel side walls, robust, puncture-proof steel floor, tipping angle 45°			

DIMENSIONS (MM)			
Wheelbase		2500	2500
Body	Length	3280	3280
	Width	2100	2100
	Floor thickness	2.5	2.5
Overall height incl. subframe		710	710
Dropside height		400	400
Loading height of tipper floor (theoretical figure) ³⁾		1065	1065
Height of front wall guard incl. subframe		1535	1535

DIMENSIONS CHASSIS (MM)			
Vehicle overhang, rear		1365	1365
Vehicle overhang, front		1145	1145

WEIGHTS (KG)			
Kerb weight incl. body ⁴⁾	Total	2655 (2683)	2675 (2703)
	Front	1543 (1542)	1585 (1571)
	Rear	1112 (1141)	1090 (1112)
Body weight ⁴⁾		615 (643)	615 (643)
Gross vehicle weight / gross combination weight		3500 / 7000	3500 / 7000
Towed weight	Braked / unbraked	3500 / 750	3500 / 750
Axle loads, chassis	Front	1950	1950
	Rear	2500	2500
Payload ⁴⁾	Total	845 (817)	825 (797)
Axle load reserves, chassis	Total	950	950

- available
- not available

- 1) Corresponds to MB model code
2) Information for left-hand-drive version only

- 3) Theoretical figure
4) Side walls in aluminium (steel)

Subject to change without notice. All data is approximate. The illustrations may contain accessories and items of optional equipment which are not part of the standard specification or are not available for all of the models listed. The data sheet may contain product types and support services not available in certain countries.



REAR TIPPER **SCATTOLINI**

CANTER 3C15

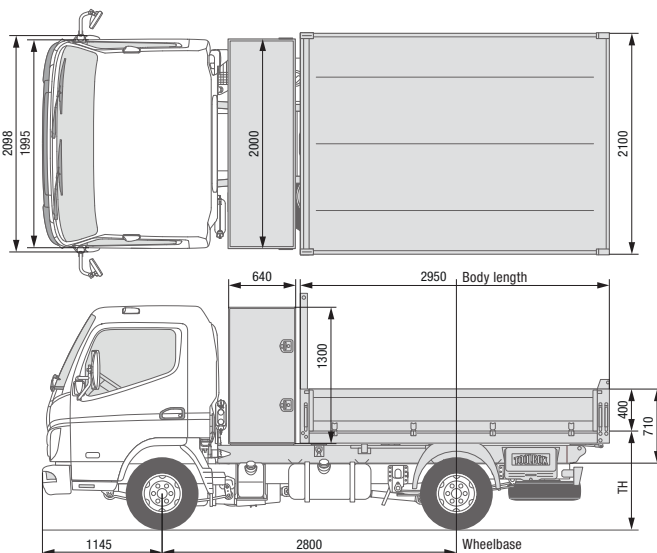
CANTER 3C15 DUONIC® 2.0

VEHICLE TYPE WITH WORKS BODY		3C15	3C15 DUONIC® 2.0
Cab type / crew		Comfort, single cab / 3	
Left-hand/right-hand drive		● / –	● / ●
Model variant ^{1) 2)}		46906211	46907211
FUSO model code ²⁾		FEB01BL4SEUX	FEB01BL3SEUX
Rear tipper, aluminium	MB Code / MTFE Code	OS4 / 1J SCATTOLINI rear tipper with aluminium side walls, robust, puncture-proof steel floor, tipping angle 45°	
Rear tipper, steel	MB Code / MTFE Code	OS5 / 1K SCATTOLINI rear tipper with steel side walls, robust, puncture-proof steel floor, tipping angle 45°	
OPTIONS			
Material carrier at rear		PZ9 / 1R Material carrier at rear of the platform body for transporting long building materials and ladders. Weight 17 kg	
Side underride guard		WY3 / 1S Additional underride guard fitted to the frame at the sides between the axles; aluminium section with plastic end caps. Weight 18-20 kg	
Toolbox		WP5 / 1L Plastic box (toolbox) that is protected from spray water, measuring 440 x 330 x 280 mm (B x H x D). Weight 7 kg	
Scattolini deflector tailgate		OU2 / 1V Deflector mounted on rear dropside Protects against jamming with trailer coupling. Weight 1 kg	
Edge protection for works bodies (aluminium)		OU4 / 1U PVC protection for aluminium dropsides. Weight 3 kg	
Edge protection for works bodies (steel)		OU5 / 1Z PVC protection for steel dropsides. Weight 3 kg	
Automatic unlocking of the tailgate		OU6 / 1Y The rear dropside opens automatically during the tipping procedure. Weight 6 kg	
OPTIONS (COMPULSORY)			
Body support brackets		CR8 / FK Support brackets on frame to make it easier to mount bodies. Weight approx. 6-12 kg (depending on model)	
Batteries, 2 x 12 V / 100 AH, maintenance-free		EE9 / EL Second battery for higher availability of the electro hydraulic tipper. Weight 30 kg	

● available – not available

1) Corresponds to MB model code 2) Information for left-hand-drive version only

Subject to change without notice. All data is approximate. The illustrations may contain accessories and items of optional equipment which are not part of the standard specification or are not available for all of the models listed. The data sheet may contain product types and support services not available in certain countries.



REAR TIPPER **SCATTOLINI**

CANTER 3C13

CANTER 3C13 DUONIC® 2.0

VEHICLE TYPE WITH WORKS BODY		3C13	3C13 DUONIC® 2.0
Cab type / crew		Comfort, single cab / 3	
Left-hand/right-hand drive		● / ●	● / ●
Model variant ^{1) 2)}		46904311	46905311
FUSO model code ²⁾		FEB01CL4SEUW	FEB01CL3SEUW
Rear tipper with stowage box	MB Code / MTFE Code	OS6 / 1N	
Aluminium	SCATTOLINI rear tipper with lockable stowage box behind the cab (capacity approx. 1660 l, accessible from both sides), tipper with aluminium side walls, tipping angle 45°		
DIMENSIONS (MM)			
Wheelbase		2800	2800
Body	Length	~3650	~3650
	Width	2100	2100
	Floor thickness	2.5	2.5
Overall height incl. subframe		710	710
Dropside height		400	400
Loading height of tipper floor (theoretical figure) ³⁾		1065	1065
Height of front wall guard incl. subframe		1535	1535
DIMENSIONS CHASSIS (MM)			
Vehicle overhang, rear		1065	1065
Vehicle overhang, front		1145	1145
WEIGHTS (KG)			
Kerb weight incl. body ⁴⁾	Total	2788	2808
	Front	1648	1668
	Rear	1140	1140
Body weight ⁴⁾		738	738 (778)
Gross vehicle weight / gross combination weight		3500 / 7000	3500 / 7000
Towed weight	Braked / unbraked	3500 / 750	3500 / 750
Axle loads, chassis	Front	1950	1950
	Rear	2500	2500
Payload ⁴⁾	Total	712	692
Axle load reserves, chassis		Total	950

- available
- not available

- 1) Corresponds to MB model code
- 2) Information for left-hand-drive version only

- 3) Theoretical figure
- 4) Side walls in aluminium

Subject to change without notice. All data is approximate. The illustrations may contain accessories and items of optional equipment which are not part of the standard specification or are not available for all of the models listed. The data sheet may contain product types and support services not available in certain countries.



REAR TIPPER **SCATTOLINI**

CANTER 3C13

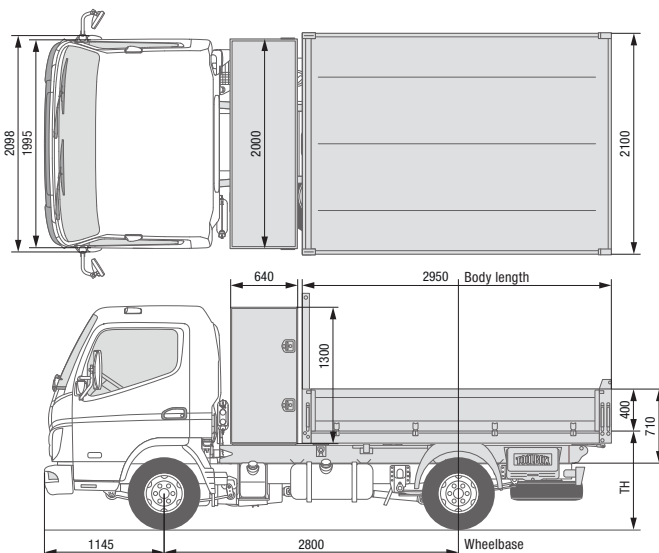
CANTER 3C13 DUONIC® 2.0

VEHICLE TYPE WITH WORKS BODY		3C13	3C13 DUONIC® 2.0
Cab type / crew		Comfort, single cab / 3	
Left-hand/right-hand drive		● / ●	● / ●
Model variant ^{1) 2)}		46904311	46905311
FUSO model code ²⁾		FEB01CL4SEUW	FEB01CL3SEUW
Rear tipper with stowage box	MB Code / MTFE Code	OS6 / 1N	
Aluminium		SCATTOLINI rear tipper with lockable stowage box behind the cab (capacity approx. 1660 l, accessible from both sides), tipper with aluminium side walls, tipping angle 45°	
Rear tipper with stowage box	MB Code / MTFE Code	OS7 / 1P	
Steel		SCATTOLINI rear tipper with lockable stowage box behind the cab (capacity approx. 1660 l, accessible from both sides), tipper with steel side walls, tipping angle 45°	
OPTIONS			
Material carrier at rear		PZ9 / 1R Material carrier at rear of the platform body for transporting long building materials and ladders. Weight 17 kg	
Side underride guard		WY3 / 1S Additional underride guard fitted to the frame at the sides between the axles; aluminium section with plastic end caps. Weight 18-20 kg	
Toolbox		WP5 / 1L Plastic box (toolbox) that is protected from spray water, measuring 440 x 330 x 280 mm (B x H x D). Weight 7 kg	
Scattolini deflector tailgate		OU2 / 1V Deflector mounted on rear dropside Protects against jamming with trailer coupling. Weight 1 kg	
Edge protection for works bodies (aluminium)		OU4 / 1U PVC protection for aluminium dropsides. Weight 3 kg	
Automatic unlocking of the tailgate		OU6 / 1Y The rear dropside opens automatically during the tipping procedure. Weight 6 kg	
OPTIONS (COMPULSORY)			
Body support brackets		CR8 / FK Support brackets on frame to make it easier to mount bodies. Weight approx. 6-12 kg (depending on model)	
Batteries, 2 x 12 V / 100 AH, maintenance-free		EE9 / EL Second battery for higher availability of the electro hydraulic tipper. Weight 30 kg	

- available
- not available

- 1) Corresponds to MB model code
- 2) Information for left-hand-drive version only

Subject to change without notice. All data is approximate. The illustrations may contain accessories and items of optional equipment which are not part of the standard specification or are not available for all of the models listed. The data sheet may contain product types and support services not available in certain countries.



REAR TIPPER **SCATTOLINI**

CANTER 3C15

CANTER 3C15 DUONIC® 2.0

VEHICLE TYPE WITH WORKS BODY		3C15	3C15 DUONIC® 2.0
Cab type / crew		Comfort, single cab / 3	
Left-hand/right-hand drive		● / –	● / ●
Model variant ^{1) 2)}		46906311	46907311
FUSO model code ²⁾		FEB01CL4SEUX	FEB01CL3SEUX
Rear tipper with stowage box	MB Code / MTFE Code	OS6 / 1N	
Aluminium	SCATTOLINI rear tipper with lockable stowage box behind the cab (capacity approx. 1660 l, accessible from both sides), tipper with aluminium side walls, tipping angle 45°		
DIMENSIONS (MM)			
Wheelbase		2800	2800
Body	Length	~3650	~3650
	Width	2100	2100
	Floor thickness	2.5	2.5
Overall height incl. subframe		710	710
Dropside height		400	400
Loading height of tipper floor (theoretical figure) ³⁾		1065	1065
Height of front wall guard incl. subframe		1535	1535
DIMENSIONS CHASSIS (MM)			
Vehicle overhang, rear		1435	1435
Vehicle overhang, front		1145	1145
WEIGHTS (KG)			
Kerb weight incl. body ⁴⁾	Total	2788	2808
	Front	1648	1668
	Rear	1140	1140
Body weight ⁴⁾		738	738
Gross vehicle weight / gross combination weight		3500 / 7000	3500 / 7000
Towed weight	Braked / unbraked	3500 / 750	3500 / 750
Axle loads, chassis	Front	1950	1950
	Rear	2500	2500
Payload ⁴⁾	Total	712	692
Axle load reserves, chassis	Total	950	950

- available
- not available

- 1) Corresponds to MB model code
- 2) Information for left-hand-drive version only

- 3) Theoretical figure
- 4) Side walls in aluminium

Subject to change without notice. All data is approximate. The illustrations may contain accessories and items of optional equipment which are not part of the standard specification or are not available for all of the models listed. The data sheet may contain product types and support services not available in certain countries.



REAR TIPPER **SCATTOLINI**

CANTER 3C15

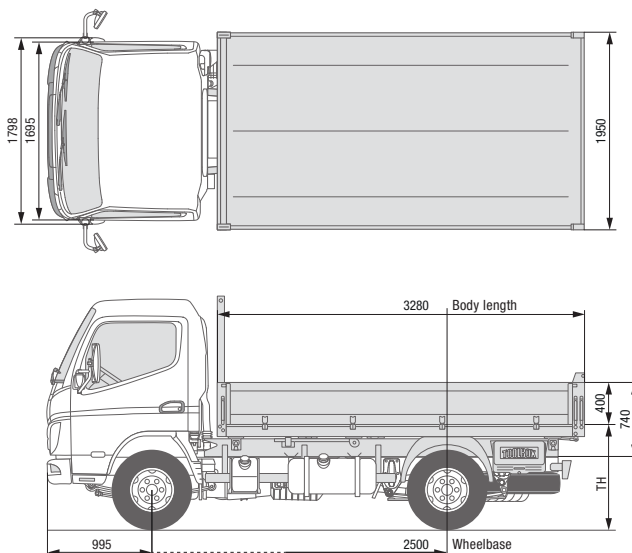
CANTER 3C15 DUONIC® 2.0

VEHICLE TYPE WITH WORKS BODY		3C15	3C15 DUONIC® 2.0
Cab type / crew		Comfort, single cab / 3	
Left-hand/right-hand drive		● / –	● / ●
Model variant ^{1) 2)}		46906311	46907311
FUSO model code ²⁾		FEB01CL4SEUX	FEB01CL3SEUX
Rear tipper with stowage box	MB Code / MTFE Code	OS6 / 1N	
Aluminium		SCATTOLINI rear tipper with lockable stowage box behind the cab (capacity approx. 1660 l, accessible from both sides), tipper with aluminium side walls, tipping angle 45°	
Rear tipper with stowage box	MB Code / MTFE Code	OS7 / 1P	
Steel		SCATTOLINI rear tipper with lockable stowage box behind the cab (capacity approx. 1660 l, accessible from both sides), tipper with steel side walls, tipping angle 45°	
OPTIONS			
Material carrier at rear		PZ9 / 1R	
		Material carrier at rear of the platform body for transporting long building materials and ladders. Weight 17 kg	
Side underride guard		WY3 / 1S	
		Additional underride guard fitted to the frame at the sides between the axles; aluminium section with plastic end caps. Weight 18-20 kg	
Toolbox		WP5 / 1L	
		Plastic box (toolbox) that is protected from spray water, measuring 440 x 330 x 280 mm (B x H x D). Weight 7 kg	
Scattolini deflector tailgate		OU2 / 1V	
		Deflector mounted on rear dropside Protects against jamming with trailer coupling. Weight 1 kg	
Edge protection for works bodies (aluminium)		OU4 / 1U	
		PVC protection for aluminium dropsides. Weight 3 kg	
Automatic unlocking of the tailgate		OU6 / 1Y	
		The rear dropside opens automatically during the tipping procedure. Weight 6 kg	
OPTIONS (COMPULSORY)			
Body support brackets		CR8 / FK	
		Support brackets on frame to make it easier to mount bodies. Weight approx. 6-12 kg (depending on model)	
Batteries, 2 x 12 V / 100 AH, maintenance-free		EE9 / EL	
		Second battery for higher availability of the electro hydraulic tipper. Weight 30 kg	

- available
- not available

- 1) Corresponds to MB model code
- 2) Information for left-hand-drive version only

Subject to change without notice. All data is approximate. The illustrations may contain accessories and items of optional equipment which are not part of the standard specification or are not available for all of the models listed. The data sheet may contain product types and support services not available in certain countries.



THREE-WAY TIPPER **SCATTOLINI**

CANTER 6S15

LHD

VEHICLE TYPE WITH WORKS BODY

Cab type / crew

Standard, single cab / 3

Left-hand/right-hand drive

● / –

 Model variant^{1) 2)}

46910212 / –

 FUSO model code²⁾

FEA51BL4SEUX / –

Three-way tipper, steel

MB Code / MTFE Code

OS3 / 1H

 SCATTOLINI three-way tipper with steel side walls,
robust, puncture-proof steel floor, tipping angle 43°/45°

DIMENSIONS (MM)

Wheelbase		2500
Body	Length	3280
	Width	1950
	Dropside wall thickness	33
	Floor thickness	2.5
Loading height of tipper floor (theoretical figure) ²⁾		1155
Dropside height		400
Overall height incl. subframe		740
Height of front wall guard incl. subframe		1470

DIMENSIONS CHASSIS (MM)

Vehicle overhang, rear		1403
Vehicle overhang, front		995

WEIGHTS (KG)

Kerb weight incl. body	Total	3275
	Front	1628
	Rear	1647
Body weight		1060
Gross vehicle weight / gross combination weight		6000 / 9000
Towed weight	Braked / unbraked	3000 / 750
Axle loads, chassis	Front	2300
	Rear	4360
Payload	Total	2725
Axle load reserves, chassis	Total	660

- available
- not available

1) Corresponds to MB model code

Subject to change without notice. All data is approximate. The illustrations may contain accessories and items of optional equipment which are not part of the standard specification or are not available for all of the models listed. The data sheet may contain product types and support services not available in certain countries.



THREE-WAY TIPPER **SCATTOLINI**

CANTER 6S15

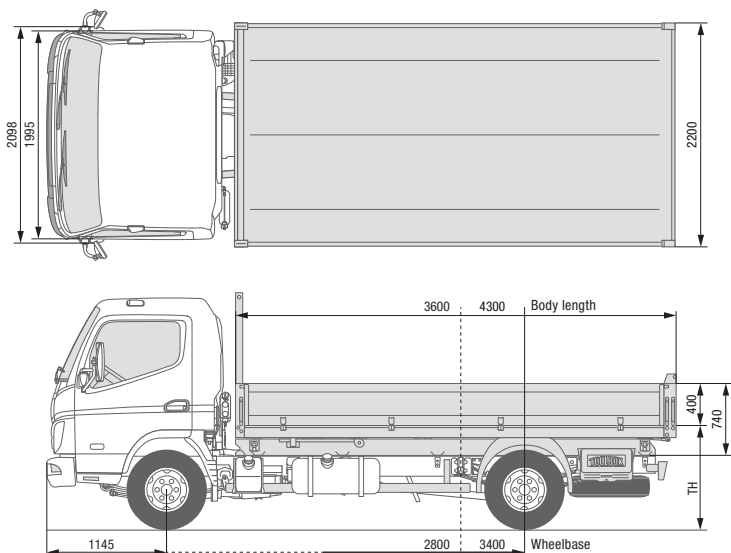
LHD

VEHICLE TYPE WITH WORKS BODY	6S15	6S15
Cab type / crew	Standard, single cab / 3	
Left-hand/right-hand drive	● / –	● / –
Model variant ^{1) 2)}	46910212 / –	46910312 / –
FUSO model code ²⁾	FEA51BL4SEUX / –	FEA51CL4SEUX / –
Three-way tipper, steel	MB Code / MTFE Code	OS3 / 1H SCATTOLINI three-way tipper with steel side walls, robust, puncture-proof steel floor, tipping angle 43°/45°
OPTIONS		
Protective grate for tail lamps	LH6 / 1T The tail lamps are protected by a grate of vertical and horizontal struts. Weight 2 x 2 kg	
Material carrier at rear	PZ9 / 1R Additional material carrier at rear of the tipper body for transporting long building materials and ladders. Weight 17 kg	
Toolbox	WP5 / 1L Toolbox fitted to the frame at the side. Plastic box that is protected from spray water measuring 440 x 330 x 280 mm (B x H x D). Weight 7 kg	
Edge protection for works bodies (steel)	OU5 / 1Z PVC protection for steel dropsides. Weight 3 kg	
OPTIONS (COMPULSORY)		
Standard rear underride guard	C06 / EE Rear underride guard in EC design fitted under the end cross member. Including tail lights on separate cross member. Weight 18 kg	
Rear underride guard with socket, and coupling ball (alternative to C06 / EE)	C08 / ET Rear underride guard as reinforced rear bumper incl. ball head coupling. Incl. 13-pin socket and tail lights on separate cross member. Weight 52 kg	
Body support brackets	CR8 / FK Support brackets on frame to make it easier to mount bodies. The shackles are attached to the chassis frame by means of rivets. Weight approx. 6-12 kg (depending on model)	
Further compulsory options	NQ7/ GJ – Transmission PTO 31 kW for hydraulic pump VA6 / DT – Hand-throttle actuator for engine speed	
Side underride guard	WY3 / 1S – Side underride guard – Already standard equipment for N2 vehicle models	

- available
- not available

1) Corresponds to MB model code

Subject to change without notice. All data is approximate. The illustrations may contain accessories and items of optional equipment which are not part of the standard specification or are not available for all of the models listed. The data sheet may contain product types and support services not available in certain countries.



THREE-WAY TIPPER **SCATTOLINI**

CANTER 7C15

CANTER 7C15 DUONIC® 2.0

VEHICLE TYPE WITH WORKS BODY

	7C15		7C15 DUONIC® 2.0	
Cab type / crew	Comfort, single cab / 3			
Left-hand/right-hand drive	● / ●	● / ●	● / ●	● / ●
Model variant ^{1) 2)}	46912312	46912512	46913312	46913512
FUSO model code ²⁾	FEB71CL4SEUX	FEB71EL4SEUX	FEB71CL3SEUX	FEB71EL3SEUX
Three-way tipper, steel	OS3 / 1H			
MB Code / MTFE Code	SCATTOLINI three-way tipper with steel side walls, robust, puncture-proof steel floor, tipping angle 43°/45°			

DIMENSIONS (MM)

	7C15	7C15 DUONIC® 2.0
Wheelbase	2800	3400
Body	Length	3600 / 4300
	Width	2200
	Dropside wall thickness	33
	Floor thickness	2.5
Loading height of tipper floor (theoretical figure) ²⁾	1170	1170
Dropside height	400	400
Overall height incl. subframe	740	740
Height of front wall guard incl. subframe	1514	1514

DIMENSIONS CHASSIS (MM)

	7C15	7C15 DUONIC® 2.0
Vehicle overhang, rear	1443	1555
Vehicle overhang, front	1145	1145

WEIGHTS (KG)

	7C15	7C15 DUONIC® 2.0
Kerb weight incl. body	Total	3670 / 3830
	Front	1954 / 2158
	Rear	1716 / 1672
Body weight ⁴⁾	1150	1280
Gross vehicle weight / gross combination weight	7490 / 10990	
Towed weight	Braked / unbraked	
	3500 / 750	
Axle loads, chassis	Front	
	3100	
Payload ⁴⁾	Rear	
	5990	
Axle load reserves, chassis	Total	
	900	

- available
- not available

- 1) Corresponds to MB model code
- 2) Theoretical figure

Subject to change without notice. All data is approximate. The illustrations may contain accessories and items of optional equipment which are not part of the standard specification or are not available for all of the models listed. The data sheet may contain product types and support services not available in certain countries.



THREE-WAY TIPPER **SCATTOLINI**

CANTER 7C15

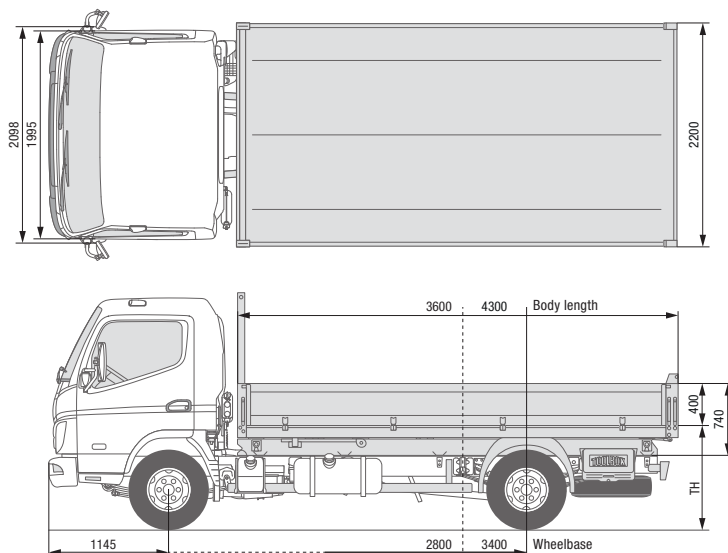
CANTER 7C15 DUONIC® 2.0

VEHICLE TYPE WITH WORKS BODY		7C15		7C15 DUONIC® 2.0	
Cab type / crew		Comfort, single cab / 3			
Left-hand/right-hand drive		● / ●	● / ●	● / ●	● / ●
Model variant ^{1) 2)}		46912312	46912512	46913312	46913512
FUSO model code ²⁾		FEB71CL4SEUX	FEB71EL4SEUX	FEB71CL3SEUX	FEB71EL3SEUX
Three-way tipper, steel		MB Code / MTFE Code OS3 / 1H SCATTOLINI three-way tipper with steel side walls, robust, puncture-proof steel floor, tipping angle 43°/45°			
OPTIONS					
Protective grate for tail lamps		LH6 / 1T The tail lamps are protected by a grate of vertical and horizontal struts. Weight 2 x 2 kg			
Material carrier at rear		PZ9 / 1R Additional material carrier at rear of the tipper body for transporting long building materials and ladders. Weight 18 kg			
Toolbox		WP5 / 1L Toolbox fitted to the frame at the side. Plastic box that is protected from spray water measuring 440 x 330 x 280 mm (B x H x D). Weight 7 kg			
Edge protection for works bodies (steel)		OU5 / 1Z PVC protection for steel dropsides. Weight 3 kg			
Automatic unlocking of the tailgate		OU6 / 1Y The rear dropside opens automatically during the tipping procedure. Weight 6 kg			
OPTIONS (COMPULSORY)					
Standard rear underride guard		C06 / EE Rear underride guard in EC design fitted under the end cross member. Including tail lights on separate cross member. Weight 18 kg			
Rear underride guard with socket, and coupling ball (alternative to C06 / EE)		C08 / ET Rear underride guard as reinforced rear bumper incl. ball head coupling. Incl. 13-pin socket and tail lights on separate cross member. Weight 52 kg			
Body support brackets		CR8 / FK Support brackets on frame to make it easier to mount bodies. The shackles are attached to the chassis frame by means of rivets. Weight approx. 6-12 kg (depending on model)			
Further compulsory options		NQ7 / GJ – Transmission PTO 31 kW for hydraulic pump VA6 / DT – Hand-throttle actuator for engine speed			
Side underride guard		WY3 / 1S – Side underride guard – Already standard equipment for N2 vehicle models			

- available
- not available

- 1) Corresponds to MB model code
- 2) Information for left-hand-drive version only

Subject to change without notice. All data is approximate. The illustrations may contain accessories and items of optional equipment which are not part of the standard specification or are not available for all of the models listed. The data sheet may contain product types and support services not available in certain countries.



THREE-WAY TIPPER **SCATTOLINI** CANTER 7C18

VEHICLE TYPE WITH WORKS BODY	7C18	7C18
Cab type / crew	Comfort, single cab / 3	
Left-hand/right-hand drive	● / –	● / –
Model variant ^{1) 2)}	46915312 / –	46915512 / –
FUSO model code ²⁾	FEB71CL4SEUY / –	FEB71EL4SEUY / –
Three-way tipper, steel	OS3 / 1H SCATTOLINI three-way tipper with steel side walls, robust, puncture-proof steel floor, tipping angle 43°/45°	

DIMENSIONS (MM)		
Wheelbase		2800 / 3400
Body	Length	3600 / 4300
	Width	2200
	Dropside wall thickness	33
	Floor thickness	2.5
Loading height of tipper floor (theoretical figure) ²⁾		1170
Dropside height		400
Overall height incl. subframe		740
Height of front wall guard incl. subframe		1514

DIMENSIONS CHASSIS (MM)		
Vehicle overhang, rear		1443 / 1555
Vehicle overhang, front		1145

WEIGHTS (KG)		
Kerb weight incl. body	Total	3670 / 3830
	Front	1939 / 2005
	Rear	1735 / 1725
Body weight		1150 / 1280
Gross vehicle weight / gross combination weight		7490 / 10990
Towed weight	Braked / unbraked	3500 / 750
		3500 / 750
Axle loads, chassis	Front	3100
	Rear	5990
Payload	Total	3820 / 3660
Axle load reserves, chassis	Total	1600

● available
– not available

1) Corresponds to MB model code
2) Theoretical figure

Subject to change without notice. All data is approximate. The illustrations may contain accessories and items of optional equipment which are not part of the standard specification or are not available for all of the models listed. The data sheet may contain product types and support services not available in certain countries.



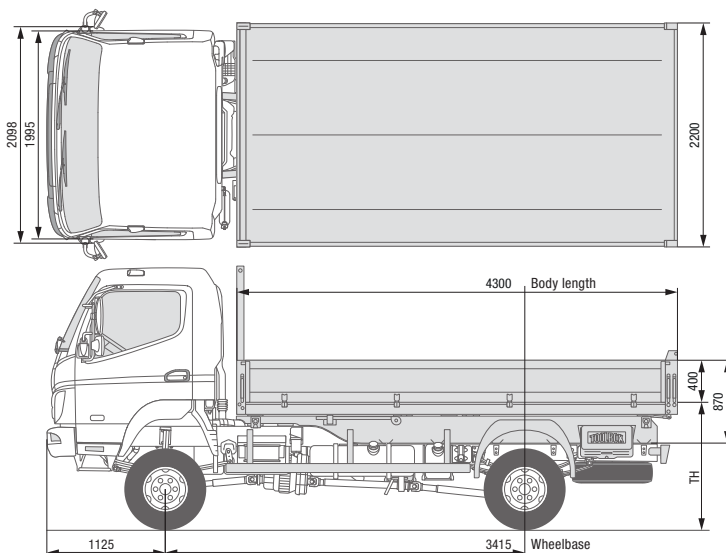
THREE-WAY TIPPER **SCATTOLINI** CANTER 7C18

VEHICLE TYPE WITH WORKS BODY	7C18	7C18
Cab type / crew	Comfort, single cab / 3	
Left-hand/right-hand drive	● / –	● / –
Model variant ^{1) 2)}	46915312 / –	46915512 / –
FUSO model code ²⁾	FEB71CL4SEUY / –	FEB71EL4SEUY / –
Three-way tipper, steel	MB Code / MTFE Code	OS3 / 1H SCATTOLINI three-way tipper with steel side walls, robust, puncture-proof steel floor, tipping angle 43°/45°
OPTIONS		
Protective grate for tail lamps	LH6 / 1T The tail lamps are protected by a grate of vertical and horizontal struts. Weight 2 x 2 kg	
Material carrier at rear	PZ9 / 1R Additional material carrier at rear of the tipper body for transporting long building materials and ladders. Weight 17 kg	
Toolbox	WP5 / 1L Toolbox fitted to the frame at the side. Plastic box that is protected from spray water measuring 440 x 330 x 280 mm (B x H x D). Weight 7 kg	
Edge protection for works bodies (steel)	OU5 / 1Z PVC protection for steel dropsides. Weight 3 kg	
Automatic unlocking of the tailgate	OU6 / 1Y The rear dropside opens automatically during the tipping procedure. Weight 6 kg	
OPTIONS (COMPULSORY)		
Standard rear underride guard	C06 / EE Rear underride guard in EC design fitted under the end cross member. Including tail lights on separate cross member. Weight 18 kg	
Rear underride guard with socket, and coupling ball (alternative to C06 / EE)	C08 / ET Rear underride guard as reinforced rear bumper incl. ball head coupling. Incl. 13-pin socket and tail lights on separate cross member. Weight 52 kg	
Body support brackets	CR8 / FK Support brackets on frame to make it easier to mount bodies. The shackles are attached to the chassis frame by means of rivets. Weight approx. 6-12 kg (depending on model)	
Further compulsory options	NQ7 / GJ – Transmission PTO 31 kW for hydraulic pump VA6 / DT – Hand-throttle actuator for engine speed	
Side underride guard	WY3 / 1S – Side underride guard – Already standard equipment for N2 vehicle models	

- available
- not available

1) Corresponds to MB model code

Subject to change without notice. All data is approximate. The illustrations may contain accessories and items of optional equipment which are not part of the standard specification or are not available for all of the models listed. The data sheet may contain product types and support services not available in certain countries.



THREE-WAY TIPPER **SCATTOLINI** CANTER 6C18 4x4

VEHICLE TYPE WITH WORKS BODY	6C18 4x4	6C18 4x4
Cab type / crew	Comfort, single cab / 3	
Left-hand/right-hand drive	LHD	RHD
Model variant ^{1) 2)}	46911512	46911522
FUSO model code ²⁾	FGB71EL6SEUY	FGB71ER6SEUY
Three-way tipper, steel	OS3 / 1H SCATTOLINI three-way tipper with steel side walls, robust, puncture-proof steel floor, tipping angle 43°/45°	

DIMENSIONS (MM)			
Wheelbase		3415	3415
Body	Length	4300	4300
	Width	2200	2200
	Dropside wall thickness	33	33
	Floor thickness	2.5	2.5
Loading height of tipper floor (theoretical figure) ²⁾		1360	1360
Dropside height		400	400
Overall height incl. subframe		870	870
Height of front wall guard incl. subframe		1514	1514

DIMENSIONS CHASSIS (MM)			
Vehicle overhang, rear		1555	1555
Vehicle overhang, front		1125	1125

WEIGHTS (KG)			
Kerb weight incl. body	Total	4025	4025
	Front	2114	2114
	Rear	1911	1911
Body weight		1200	1200
Gross vehicle weight / gross combination weight		6500 / 10000	6500 / 10000
Towed weight	Braked / unbraked	3500 / 750	3500 / 750
Axle loads, chassis	Front	2800	2800
	Rear	5125	5125
Payload	Total	2475	2475
Axle load reserves, chassis	Total	2300	2300

- available
- not available

- 1) Corresponds to MB model code
2) Theoretical figure

Subject to change without notice. All data is approximate. The illustrations may contain accessories and items of optional equipment which are not part of the standard specification or are not available for all of the models listed. The data sheet may contain product types and support services not available in certain countries.



THREE-WAY TIPPER **SCATTOLINI** CANTER 6C18 4x4

VEHICLE TYPE WITH WORKS BODY	6C18 4x4	6C18 4x4
Cab type / crew	Comfort, single cab / 3	
Left-hand/right-hand drive	LHD	RHD
Model variant ^{1) 2)}	46911512	46911522
FUSO model code ²⁾	FGB71EL6SEUY	FGB71ER6SEUY
Three-way tipper, steel	MB Code / MTFE Code	OS3 / 1H SCATTOLINI three-way tipper with steel side walls, robust, puncture-proof steel floor, tipping angle 43°/45°
OPTIONS		
Protective grate for tail lamps	LH6 / 1T The tail lamps are protected by a grate of vertical and horizontal struts. Weight 2 x 2 kg	
Material carrier at rear	PZ9 / 1R Additional material carrier at rear of the tipper body for transporting long building materials and ladders. Weight 17 kg	
Toolbox	WP5 / 1L Toolbox fitted to the frame at the side. Plastic box that is protected from spray water measuring 440 x 330 x 280 mm (B x H x D). Weight 7 kg	
Edge protection for works bodies (steel)	OU5 / 1Z PVC protection for steel dropsides. Weight 3 kg	
Automatic unlocking of the tailgate	OU6 / 1Y The rear dropside opens automatically during the tipping procedure. Weight 6 kg	
OPTIONS (COMPULSORY)		
Standard rear underride guard	C06 / EE Rear underride guard in EC design fitted under the end cross member. Including tail lights on separate cross member. Weight 18 kg	
Rear underride guard with socket, and coupling ball (alternative to C06 / EE)	C08 / ET Rear underride guard as reinforced rear bumper incl. ball head coupling. Incl. 13-pin socket and tail lights on separate cross member. Weight 52 kg	
Body support brackets	CR8 / FK Support brackets on frame to make it easier to mount bodies. The shackles are attached to the chassis frame by means of rivets. Weight approx. 6-12 kg (depending on model)	
Further compulsory options	NQ7 / GJ – Transmission PTO 31 kW for hydraulic pump VA6 / DT – Hand-throttle actuator for engine speed	
Side underride guard	WY3 / 1S – Side underride guard – Already standard equipment for N2 vehicle models	

- available
- not available

1) Corresponds to MB model code

Subject to change without notice. All data is approximate. The illustrations may contain accessories and items of optional equipment which are not part of the standard specification or are not available for all of the models listed. The data sheet may contain product types and support services not available in certain countries.